

PLEASE CHECK WWW.MOLEX.COM FOR LATEST PART INFORMATION

Part Number: [0799250005](#)
Status: **Active**
Overview: [tdp triad differential pair](#)
Description: TDP® (Triad® Differential Pair) Cable Assembly, 28 Circuit, 1.00m (3.281') Length, 4-40 Jackscrew

Documents:

[Drawing \(PDF\)](#) [RoHS Certificate of Compliance \(PDF\)](#)

General

Product Family	Cable Assemblies
Series	79925
Connector to Connector	TDP®-to-TDP®
Overview	tdp triad differential pair
Product Name	TDP®

Physical

Cable Length	1.0m (3.28')
Circuits (Loaded)	28
Color - Resin	Black
Gender	Male-Male
Lock to Mating Part	Yes
Material - Metal	Phosphor Bronze
Material - Plating Mating	Gold
Material - Plating Termination	Tin
Material - Resin	High Temperature Thermoplastic
Packaging Type	Bag
Pitch - Mating Interface (in)	0.050 In
Pitch - Mating Interface (mm)	1.27 mm
Plating min: Mating (µin)	75
Plating min: Mating (µm)	1.875
Plating min: Termination (µin)	100
Plating min: Termination (µm)	2.5
Single Ended	No
Termination Interface: Style	Through Hole
Wire Insulation Diameter	N/A
Wire Size AWG	28
Wire/Cable Type	Round

Electrical

Current - Maximum per Contact	1.5A
Shielded	Yes
Voltage - Maximum	40V

Material Info

Reference - Drawing Numbers

Sales Drawing	SD-79925-006
---------------	--------------



image - Reference only

Series

EU RoHS

RoHS Compliant by Exemption

REACH SVHC

Not Reviewed

Halogen-Free

Status

Not Reviewed

China RoHS



Pb

Need more information on product environmental compliance?

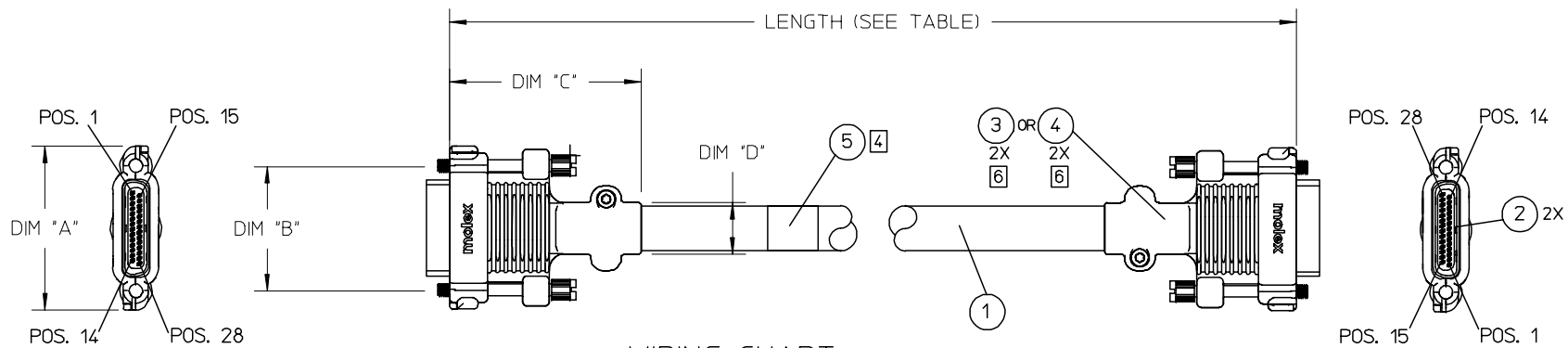
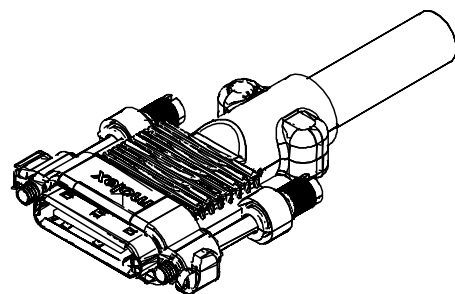
Email productcompliance@molex.com
 For a multiple part number RoHS Certificate of Compliance, [click here](#)

Please visit the [Contact Us](#) section for any non-product compliance questions.

Search Parts in this Series

[79925Series](#)

PART NO.	CIRCUIT SIZE	LENGTH	JACK SCREW THREAD TYPE	"A" DIM'	"B" DIM'	"C" DIM'	"D" DIM'
79925-0005	28	1000 +/-50MM	4-40 JACKSCREW P/N	1.569/39.86	1.200/30.48	1.835/46.62	.490/12.45
79925-0006		3000 +/-100MM	(STANDARD) [6]				
79925-0007		1000 +/-50MM	M3 JACKSCREW P/N				
79925-0008		3000 +/-100MM	(SPECIAL) [6]				



WIRING CHART

1 S	15 G
2 S	16 NC
3 NC	17 S
4 G	18 S
5 NC	19 NC
6 S	20 G
7 S	21 NC
8 NC	22 S
9 G	23 S
10 NC	24 NC
11 S	25 G
12 S	26 NC
13 NC	27 S
14 G	28 S

- NOTES:
- PLUG MATERIALS:
SHIELD - DEEP DRAWN STEEL
HOUSING - GLASS FILLED POLYMER, BLACK, UL 94V-0
CONTACTS - COPPER ALLOY, OVERMOLDED WITH GLASS FILLED POLYMER, BLACK, UL 94V-0
 - BACKSHELLS MATERIALS:
BACKSHELL - ZINC ALLOY DIE CAST, FINISH BLACK POLYURETHANE ENAMEL.
JACKSCREW - STEEL ALLOY, FINISH BLACK OXIDE.
MOUNTING SCREW - STEEL ALLOY, FINISH BLACK ZINC PLATING.
 - ELECTRICAL SPECIFICATIONS:
100 OHMS DIFFERENTIAL IMPEDANCE
HIGH SPEED DIFFERENTIAL PAIRS
INDIVIDUAL PAIR AND OVERALL SHIELDS TO MINIMIZE CROSSTALK AND RADIATED EMISSIONS

ROHS

ITEM	P/N	DESCRIPTION	QTY
5	0799426019	PLASTIC LABEL EPC#R-TW10F	1 PC
4	0751151028	28 CKT TDP PLUG CABLE KIT (M3/BLK)	2 PC
3	0751150028	28 CKT TDP PLUG CABLE KIT (4-40/BLK)	2 PC
2	0750001028	TDP 28 Ckt Plug Assy w/o Carrier Strip	2 PC
1	0711537021	28 awg 4x Infiniband Const. 100 ohm Cble	A/R

- [4] APPLY LABEL WITH FOLLOWING INFORMATION:
P/N (SEE TABLE)
REV (SEE REVISION TABLE)
M/D WW/YY
ASSEMBLED IN MEXICO
5. PIN CONNECTION IS 1 TO 1 ACCORDING TO TABLE.
[6] USE ITEM 3 FOR 799250006 & 799250007; USE ITEM 4 FOR 799250008 & 799250009

RELEASED EC NO: MEX2007-0144 DRWN: AOROZCO 2007/05/30 CHKD: ACUEVAS 2007/05/30 APPR: ACUEVAS 2007/05/30 A	DESCRIPTION TDP 100 OHM DIFFERENTIAL CABLE ASSEMBLY 28CKT M3 & 4-40 JACKSCREW	QUALITY SYMBOLS ▽=0 ▽=0	GENERAL TOLERANCES (UNLESS SPECIFIED) <table border="1"> <thead> <tr> <th></th> <th>mm</th> <th>INCH</th> </tr> </thead> <tbody> <tr> <td>4 PLACES</td> <td>± ---</td> <td>± ---</td> </tr> <tr> <td>3 PLACES</td> <td>± ---</td> <td>± .010</td> </tr> <tr> <td>2 PLACES</td> <td>± 0.25</td> <td>± ---</td> </tr> <tr> <td>1 PLACE</td> <td>± ---</td> <td>± ---</td> </tr> </tbody> </table>		mm	INCH	4 PLACES	± ---	± ---	3 PLACES	± ---	± .010	2 PLACES	± 0.25	± ---	1 PLACE	± ---	± ---	DIMENSION STYLE IN/MM DRAWN BY: AOROZCO DATE: 09/15/2003 CHECKED BY: AOROZCO DATE: 09/15/2003 APPROVED BY: ACUEVAS DATE: 09/15/2003	SCALE: --- DESIGN UNITS: INCH THIRD ANGLE PROJECTION
			mm	INCH																
		4 PLACES	± ---	± ---																
		3 PLACES	± ---	± .010																
2 PLACES	± 0.25	± ---																		
1 PLACE	± ---	± ---																		
DRAFT WHERE APPLICABLE MUST REMAIN WITHIN DIMENSIONS		MATERIAL NO.: VARIOS SIZE: A	TITLE: TDP 100 OHM DIFFERENTIAL CABLE ASSEMBLY 28CKT M3 & 4-40 JACKSCREW MOLEX INCORPORATED DOCUMENT NO.: SD-79925-006	SHEET NO.: 1 OF 1																
THIS DRAWING CONTAINS INFORMATION THAT IS PROPRIETARY TO MOLEX INCORPORATED AND SHOULD NOT BE USED WITHOUT WRITTEN PERMISSION																				