

PLEASE CHECK WWW.MOLEX.COM FOR LATEST PART INFORMATION

Part Number: [0877751001](#)
Status: **Active**
Description: 1.00mm (.039") Pitch DDR2 DIMM Socket, Through Hole, 0.76µm (30µ") Gold (Au), 2.67mm (0.109") Solder tail, 276 Circuits, Lead free

Documents:

[3D Model](#) [Product Specification PS-87775-018 \(PDF\)](#)
[Drawing \(PDF\)](#) [RoHS Certificate of Compliance \(PDF\)](#)

General

Product Family	Memory Module Sockets
Series	87775
Component Type	Socket
JEDEC Outline	N/A
Product Name	DDR2 DIMM

Physical

Circuits (Loaded)	276
Circuits (maximum)	276
Color - Resin	Black, Natural
Durability (mating cycles max)	25
Entry Angle	Vertical (Top Entry)
Function Key	None
Keying to Mating Part	Yes
Material - Metal	Brass, Phosphor Bronze
Material - Plating Mating	Gold
Material - Plating Termination	Tin
Material - Resin	High Temperature Thermoplastic
PC Tail Length (in)	0.105 In
PC Tail Length (mm)	2.67 mm
PCB Locator	Yes
PCB Retention	Yes
PCB Thickness Recommended (in)	0.062 In
PCB Thickness Recommended (mm)	1.57 mm
Packaging Type	Tray
Pitch - Mating Interface (in)	0.039 In
Pitch - Mating Interface (mm)	1.00 mm
Pitch - Term. Interface (in)	0.039 In
Pitch - Term. Interface (mm)	1.00 mm
Plating min: Mating (µin)	30.4
Plating min: Mating (µm)	0.76
Plating min: Termination (µin)	101.6
Plating min: Termination (µm)	2.54
Temperature Range - Operating	-55°C to +85°C
Termination Interface: Style	Through Hole

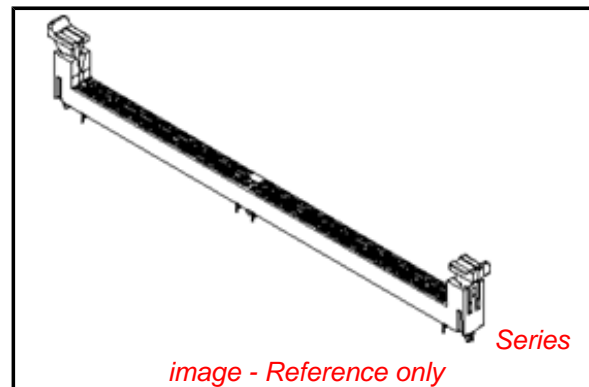
Electrical

Current - Maximum per Contact	0.5A
Voltage - Maximum	30V AC (RMS)/DC
Voltage Key	Center

Material Info

Reference - Drawing Numbers

Packaging Specification	PK-87775-001
Product Specification	PS-87775-018, RPS-87775-020
Sales Drawing	SD-87775-002



EU RoHS

**ELV and RoHS
Compliant**
**REACH SVHC
Contains SVHC: No**
**Halogen-Free
Status
Not Reviewed**

China RoHS



**Need more information on product
environmental compliance?**

Email productcompliance@molex.com
 For a multiple part number RoHS Certificate of Compliance, [click here](#)

Please visit the [Contact Us](#) section for any non-product compliance questions.

Search Parts in this Series
[87775Series](#)

This document was generated on 05/27/2010

PLEASE CHECK WWW.MOLEX.COM FOR LATEST PART INFORMATION

10 9 8 7 6 5 4 3 2 1

F

E

D

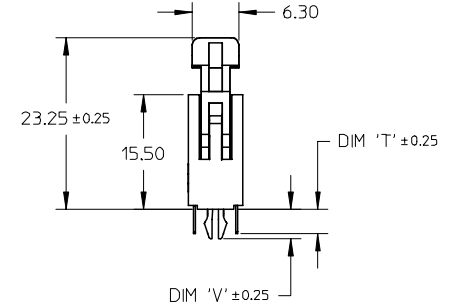
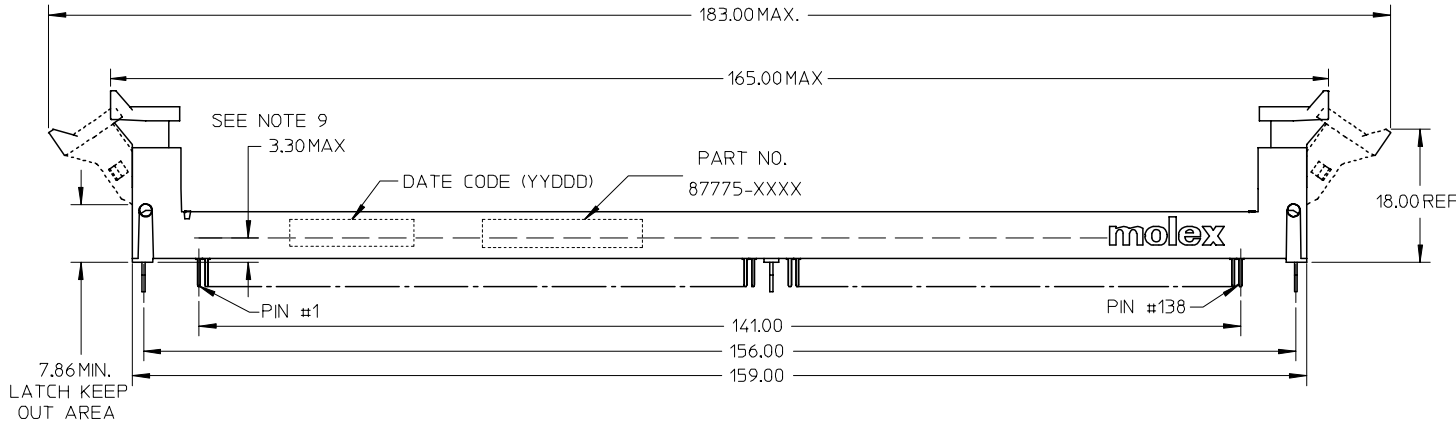
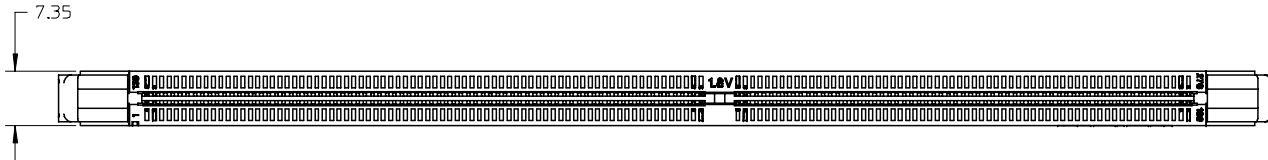
C

B

A

NOTES:

1. MATERIALS
 HOUSING - HIGH TEMP. NYLON GLASS FILLED, UL 94V-0, COLOR: BLACK
 EJECTORS - HIGH TEMP. NYLON GLASS FILLED, UL 94V-0, COLOR: NATURAL (OFF WHITE)
 TERMINALS - COPPER ALLOY
2. PLATING - SEE TABLE IN SHEET 5.
3. CARD SLOT ACCEPTS 1.27±0.10MM MODULE THICKNESS. (MEASURED OVER P.C. PADS)
4. RECOMMENDED MODULE LAYOUT SHALL BE AS PER SHEET 3.
5. REFER TO PRODUCT SPEC. PS-87775-018 FOR PERFORMANCE SPECIFICATIONS.
6. PRODUCT IS PACKED IN TRAYS. REFER TO SHEET 6.
7. PRODUCT WILL HAVE DATE STAMPED ON SIDE OF HOUSING.
8. THE KEEP OUT AREA IS THE AREA WHERE THE CONNECTOR IS MOUNTED ONTO THE PCB THAT DOES NOT INCLUDE THE LATCH.
9. DIMM MODULE SEATING PLANE FROM TOP OF PCB.



UPDATE HSG VIEW EC NO: S2007-1012 DRWN:CMTEO CHKD:CCTEH APPR:SHLENI	2007/05/21 2007/05/21 2007/05/21	QUALITY SYMBOLS ▽=0 ◻=0	GENERAL TOLERANCES (UNLESS SPECIFIED)		DIMENSION STYLE MM ONLY		SCALE NTS	DESIGN UNITS METRIC	THIRD ANGLE PROJECTION			
			4 PLACES ± --- ± --- 3 PLACES ± --- ± --- 2 PLACES ± 0.20 ± --- 1 PLACE ± --- ± ---	mm INCH ± --- ± --- ± 0.20 ± --- ± --- ± ---	DRAWN BY CMTEO	DATE 2007/02/23	TITLE DDR2 DIMM, 1.00MM PITCH 276 CKTS, VERTICAL T/H FORK-LOCK					
			ANGULAR ± 5 °			CHECKED BY CCTEH	DATE 2007/04/03	MOLEX INCORPORATED				
			DRAFT WHERE APPLICABLE MUST REMAIN WITHIN DIMENSIONS			APPROVED BY SHLENI	DATE 2007/04/03	MATERIAL NO. SEE TABLE	DOCUMENT NO. SD-87775-002	SHEET NO. 1 OF 6		

9 8 7 6 5 4 3 2 1

10 9 8 7 6 5 4 3 2 1

F

F

7.35

E

E

D

D

C

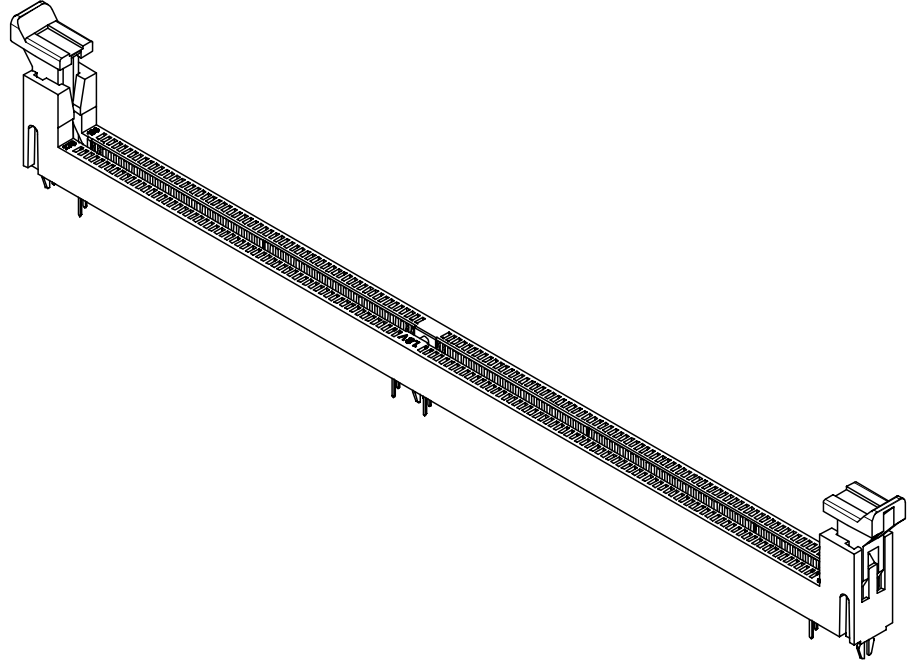
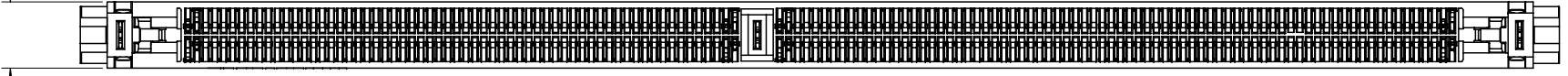
C

B

B

A

A



UPDATE HSG VIEW	2007/05/21
EC NO: S2007-1012	2007/05/21
DRWN:CMTEO	2007/05/21
CHKD:CCTEH	2007/05/21
APPR:SHLENI	2007/05/21
REV	DESCRIPTION
A1	

QUALITY SYMBOLS	$\nabla=0$
	$\triangle=0$

GENERAL TOLERANCES (UNLESS SPECIFIED)		
	mm	INCH
4 PLACES	\pm ---	\pm ---
3 PLACES	\pm ---	\pm ---
2 PLACES	\pm 0.20	\pm ---
1 PLACE	\pm ---	\pm ---
ANGULAR \pm 5 °		
DRAFT WHERE APPLICABLE MUST REMAIN WITHIN DIMENSIONS		

DIMENSION STYLE	
MM ONLY	
DRAWN BY	DATE
CMTEO	2007/02/23
CHECKED BY	DATE
CCTEH	2007/04/03
APPROVED BY	DATE
SHLENI	2007/04/03
MATERIAL NO.	
SEE TABLE	
SIZE	
A3	

SCALE	DESIGN UNITS	THIRD ANGLE PROJECTION
NTS	METRIC	
TITLE		
DDR2 DIMM, 1.00MM PITCH 276 CKTS, VERTICAL T/H FORK-LOCK		
MOLEX INCORPORATED		
DOCUMENT NO.	SHEET NO.	
SD-87775-002	2 OF 6	
THIS DRAWING CONTAINS INFORMATION THAT IS PROPRIETARY TO MOLEX INCORPORATED AND SHOULD NOT BE USED WITHOUT WRITTEN PERMISSION		

9 8 7 6 5 4 3 2 1

10 9 8 7 6 5 4 3 2 1

F F

E E

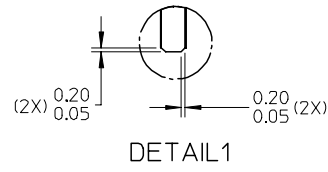
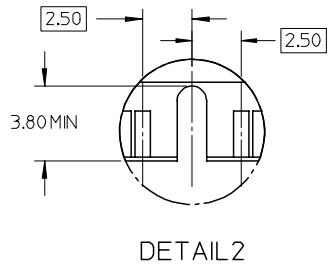
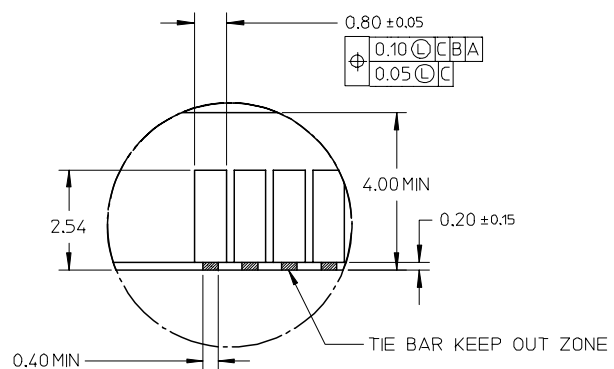
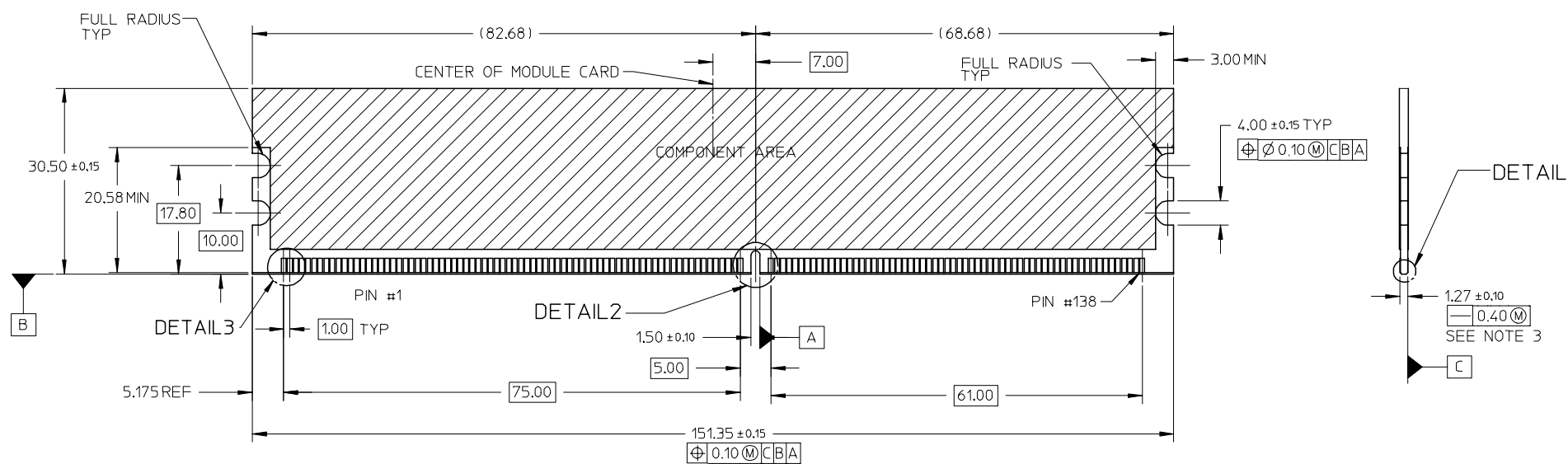
D D

C C

B B

A A

RECOMMENDED MODULE LAYOUT



NOTES:
1. MODULE CARD USED FOR TESTS ARE WITH 0.10MM CHAMFER.

UPDATE HSG VIEW EC NO: S2007-1012 DRWN: CMTEO CHKD: CCTEH APPR: SHLENI	2007/05/21 2007/05/21 2007/05/21	QUALITY SYMBOLS ▽=0 ▽=0	GENERAL TOLERANCES (UNLESS SPECIFIED) mm INCH 4 PLACES ± --- ± --- 3 PLACES ± --- ± --- 2 PLACES ± 0.20 ± --- 1 PLACE ± --- ± --- ANGULAR ± 5 °	DIMENSION STYLE MM ONLY DRAWN BY DATE CMTEO 2007/02/23 CHECKED BY DATE CCTEH 2007/04/03 APPROVED BY DATE SHLENI 2007/04/03	SCALE NTS DESIGN UNITS METRIC THIRD ANGLE PROJECTION	TITLE DDR2 DIMM, 100MM PITCH 276 CKTS, VERTICAL T/H FORK-LOCK MOLEX INCORPORATED	
	MATERIAL NO. SD-87775-002	DOCUMENT NO. SD-87775-002	SHEET NO. 3 OF 6				
	DRAFT WHERE APPLICABLE MUST REMAIN WITHIN DIMENSIONS			SIZE A3	THIS DRAWING CONTAINS INFORMATION THAT IS PROPRIETARY TO MOLEX INCORPORATED AND SHOULD NOT BE USED WITHOUT WRITTEN PERMISSION		
	A1	REV	DESCRIPTION				

9 8 7 6 5 4 3 2 1

10 9 8 7 6 5 4 3 2 1

F

E

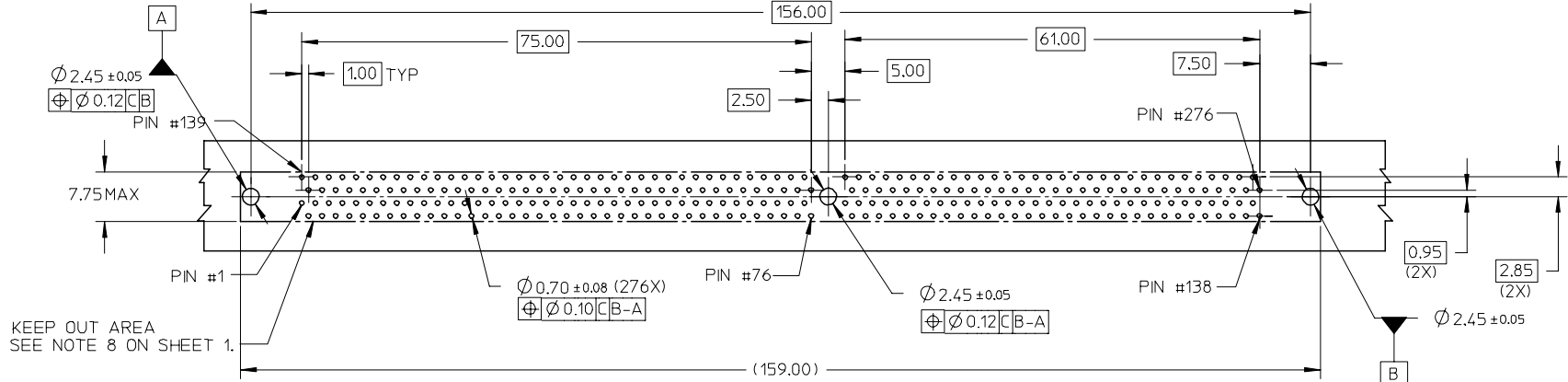
D

C

B

A

RECOMMENDED PCB LAYOUT
CONNECTOR SIDE
(SEE RECOMMENDED PCB THICKNESS IN TABLE)



KEEP OUT AREA
SEE NOTE 8 ON SHEET 1.

C

UPDATE HSG VIEW EC NO: S2007-1012 DRWN:CMTEO CHKD:CCTEH APPR:SHLENI	2007/05/21 2007/05/21 2007/05/21	QUALITY SYMBOLS ▽=0 ▽=0	GENERAL TOLERANCES (UNLESS SPECIFIED)		DIMENSION STYLE MM ONLY		SCALE NTS	DESIGN UNITS METRIC	THIRD ANGLE PROJECTION			
			4 PLACES ± --- ± --- 3 PLACES ± --- ± --- 2 PLACES ± 0.20 ± --- 1 PLACE ± --- ± ---	mm INCH	DRAWN BY CMTEO	DATE 2007/02/23	TITLE DDR2 DIMM, 100MM PITCH 276 CKTS, VERTICAL T/H FORK-LOCK					
			ANGULAR ± 5 °			CHECKED BY CCTEH	DATE 2007/04/03	MOLEX INCORPORATED				
			DRAFT WHERE APPLICABLE MUST REMAIN WITHIN DIMENSIONS			APPROVED BY SHLENI	DATE 2007/04/03	MATERIAL NO. SEE TABLE	DOCUMENT NO. SD-87775-002	SHEET NO. 4 OF 6		

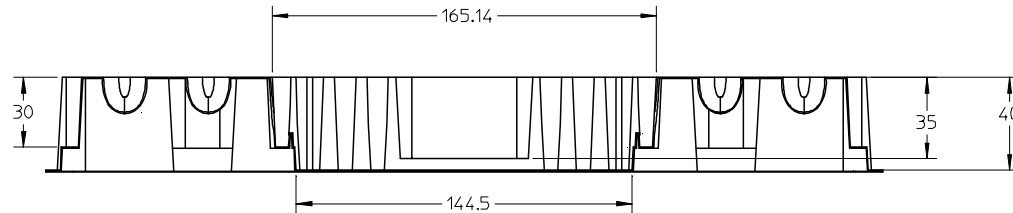
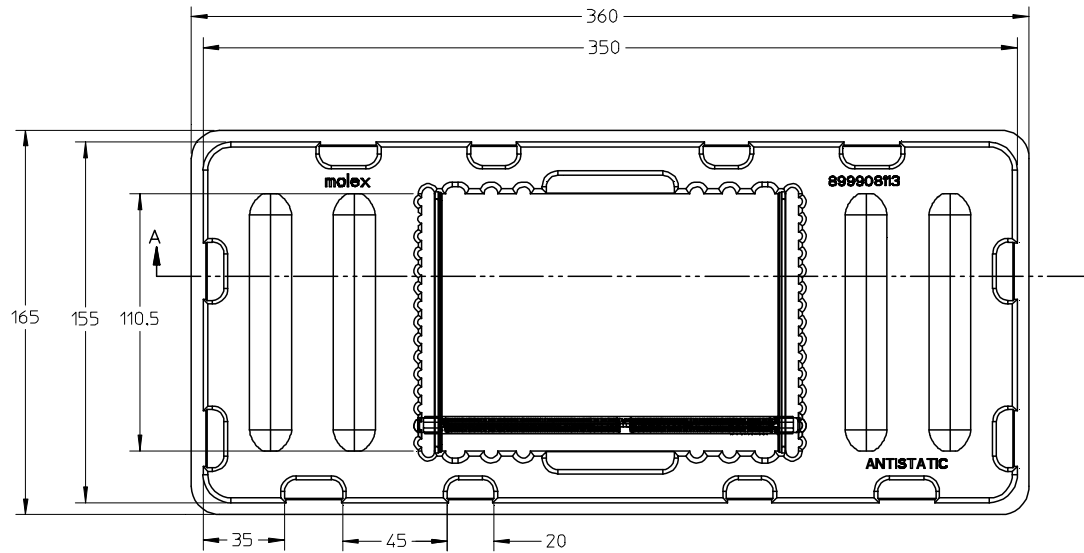
9 8 7 6 5 4 3 2 1

10 9 8 7 6 5 4 3 2 1

PART NO	KEY POS.	DIM 'T'	DIM 'V'	RECOMMENDED PCB THICKNESS	PLATING
87775-1001	CENTER	2.67	3.94	1.57	0.76µM/ 30µIN MIN. GOLD ON CONTACT, 2.54µM/ 100µIN MIN. TIN ON SOLDERTAILS 1.27µM/50µIN MIN. NICKEL UNDERPLATE
87775-1011		3.18		2.36	
87775-1101		4.00	4.42	3.00	

UPDATE HSG VIEW EC NO: S2007-1012 DRWN:CMTEO CHKD:CCTEH APPR:SHLENI	2007/05/21 2007/05/21 2007/05/21	QUALITY SYMBOLS ▽=0 ◻=0	GENERAL TOLERANCES (UNLESS SPECIFIED)		DIMENSION STYLE MM ONLY		SCALE NTS	DESIGN UNITS METRIC	THIRD ANGLE PROJECTION		
			4 PLACES ± --- ± ---	DRAWN BY CMTEO	DATE 2007/02/23	TITLE DDR2 DIMM, 1.00MM PITCH 276 CKTS, VERTICAL T/H FORK-LOCK					
			3 PLACES ± --- ± ---	CHECKED BY CCTEH	DATE 2007/04/03	MOLEX INCORPORATED					
			2 PLACES ± 0.20 ± ---	APPROVED BY SHLENI	DATE 2007/04/03	MATERIAL NO. SEE TABLE	DOCUMENT NO. SD-87775-002	SHEET NO. 5 OF 6			
		1 PLACE ± --- ± ---	ANGULAR ± 5 °		DRAFT WHERE APPLICABLE MUST REMAIN WITHIN DIMENSIONS		THIS DRAWING CONTAINS INFORMATION THAT IS PROPRIETARY TO MOLEX INCORPORATED AND SHOULD NOT BE USED WITHOUT WRITTEN PERMISSION				
A1		REV									

9 8 7 6 5 4 3 2 1



SECTION A-A

NOTE:

1. CAVITY QTY : 1 X 15 = 15PCS.

UPDATE HSG VIEW EC NO: S2007-1012 DRWN:CMTEO CHKD:CCTEH APPR:SHLENI	2007/05/21 2007/05/21 2007/05/21	QUALITY SYMBOLS ▽=0 ◻=0	GENERAL TOLERANCES (UNLESS SPECIFIED)		DIMENSION STYLE MM ONLY		SCALE NTS	DESIGN UNITS METRIC	THIRD ANGLE PROJECTION		
			4 PLACES ± --- ± ---	DRAWN BY CMTEO	DATE 2007/02/23	TITLE DDR2 DIMM, 100MM PITCH 276 CKTS, VERTICAL T/H FORK-LOCK					
			3 PLACES ± --- ± ---	CHECKED BY CCTEH	DATE 2007/04/03	MOLEX INCORPORATED					
			2 PLACES ± 0.20 ± ---	APPROVED BY SHLENI	DATE 2007/04/03	DOCUMENT NO. SD-87775-002	SHEET NO. 6 OF 6				
		1 PLACE ± --- ± ---	ANGULAR ± 5 °		SEE TABLE						
DRAFT WHERE APPLICABLE MUST REMAIN WITHIN DIMENSIONS			SIZE A3		THIS DRAWING CONTAINS INFORMATION THAT IS PROPRIETARY TO MOLEX INCORPORATED AND SHOULD NOT BE USED WITHOUT WRITTEN PERMISSION						