

**PLEASE CHECK WWW.MOLEX.COM FOR LATEST PART INFORMATION**

**Part Number:** [0887689800](#)  
**Status:** **Active**  
**Overview:** high definition multimedia interface hdmi  
**Description:** HDMI\*-to-HDMI\* Cable Assembly, 28 AWG, 1.0m (3.28' ) Length

**Documents:**

[Drawing \(PDF\)](#) [RoHS Certificate of Compliance \(PDF\)](#)  
[Product Specification PS-88768-002 \(PDF\)](#)

**General**

|                        |  |
|------------------------|--|
| Product Family         | Cable Assemblies                                 |
| Series                 | 88768  |
| Connector to Connector | HDMI*-to-HDMI*                                   |
| Overview               | <u>high definition multimedia interface hdmi</u> |
| Product Name           | HDMI*  |

**Physical**

|                                |  |
|--------------------------------|--|
| Cable Length                   | 1.0m (3.28' )  |
| Circuits (Loaded)              | 19   |
| Color - Resin                  | Natural  |
| Gender                         | Male-Male  |
| Lock to Mating Part            | Yes  |
| Material - Metal               | High Performance Alloy (HPA)                             |
| Material - Plating Mating      | Gold   |
| Material - Plating Termination | Tin  |
| Material - Resin               | High Temperature Thermoplastic, Low Density Polyethylene |
| Packaging Type                 | Bag  |
| Pitch - Mating Interface (in)  | 0.039 In   |
| Pitch - Mating Interface (mm)  | 1.00 mm  |
| Plating min: Mating (µin)      | 32   |
| Plating min: Mating (µm)       | 0.8  |
| Plating min: Termination (µin) | 50.8   |
| Plating min: Termination (µm)  | 1.27   |
| Single Ended                   | No   |
| Termination Interface: Style   | Through Hole   |
| Wire Insulation Diameter       | N/A  |
| Wire Size AWG                  | 28   |
| Wire/Cable Type                | Round  |

**Electrical**

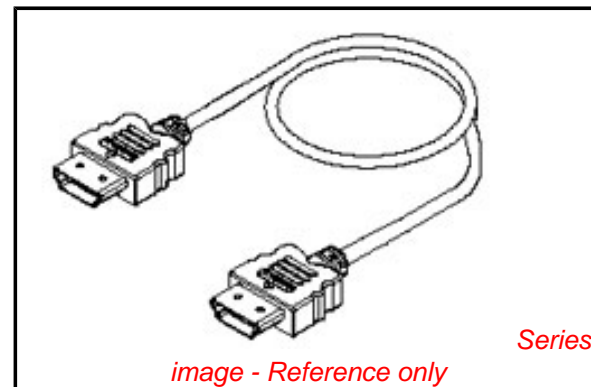
|                               |          |
|-------------------------------|----------|
| Current - Maximum per Contact | 0.5A     |
| Impedance                     | 100 ohms |
| Shielded                      | Yes      |
| Voltage - Maximum             | 40V      |

**Material Info**

**Reference - Drawing Numbers**

|                       |              |
|-----------------------|--------------|
| Product Specification | PS-88768-002 |
| Sales Drawing         | SD-887689800 |

\*High Definition Multimedia Interface and HDMI are trademarks of HDMI Licensing, LLC.



**EU RoHS**

**ELV and RoHS Compliant**  
**REACH SVHC**  
 Not Reviewed  
**Halogen-Free**  
**Status**  
**Not Reviewed**

**China RoHS**

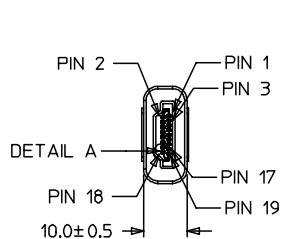


**Need more information on product environmental compliance?**

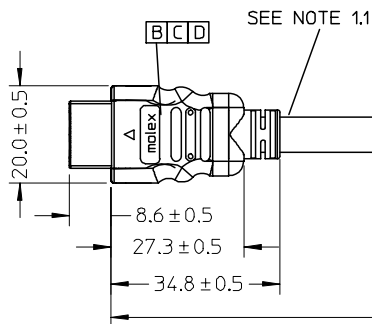
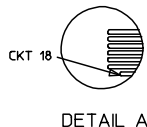
Email [productcompliance@molex.com](mailto:productcompliance@molex.com)  
 For a multiple part number RoHS Certificate of Compliance, [click here](#)

Please visit the [Contact Us](#) section for any non-product compliance questions.

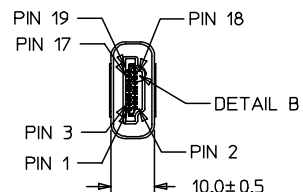
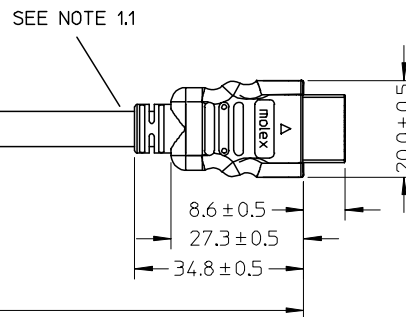
**Search Parts in this Series**  
 88768Series



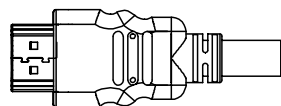
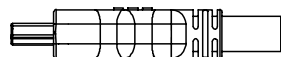
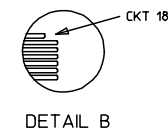
HDMI(M)



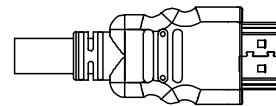
LENGTH



HDMI(M)



BACK SIDE



BACK SIDE

| 88768-9830 | HDMI TO HDMI CABLE ASS'Y,5M | 5000 ± 100 | BLACK       | 7.3MM(TMDS - AWG#28) | 887808610 |
|------------|-----------------------------|------------|-------------|----------------------|-----------|
| 88768-9820 | HDMI TO HDMI CABLE ASS'Y,3M | 3000 ± 80  | BLACK       | 7.3MM(TMDS - AWG#28) | 887808610 |
| 88768-9810 | HDMI TO HDMI CABLE ASS'Y,2M | 2000 ± 60  | BLACK       | 7.3MM(TMDS - AWG#28) | 887808610 |
| 88768-9800 | HDMI TO HDMI CABLE ASS'Y,1M | 1000 ± 30  | BLACK       | 7.3MM(TMDS - AWG#28) | 887808610 |
| MX P/N     | DESCRIPTION                 | LENGTH     | CABLE COLOR | CABLE OD             | CABLE P/N |

| ENTER DESCRIPTION  | 2005/12/27  |
|--------------------|-------------|
| EC NO: DG2006-0144 | 2005/12/30  |
| DRWN: JFZHENG      | 2006/01/16  |
| CHKD:              |             |
| APPR: DQLUO        |             |
| REV                | DESCRIPTION |

| QUALITY SYMBOLS |
|-----------------|
| ▽=0             |
| ∇=0             |

| GENERAL TOLERANCES (UNLESS SPECIFIED)                |         |
|--|---------|
|  | MM ONLY |
| 4 PLACES   | ± ---   |
| 3 PLACES   | ± ---   |
| 2 PLACES   | ± ---   |
| 1 PLACE  | ± ---   |
| ANGULAR ± ---°                                       |         |
| DRAFT WHERE APPLICABLE MUST REMAIN WITHIN DIMENSIONS |         |

| DIMENSION STYLE |              |
|-----------------|--------------|
| MM ONLY         |              |
| DRAWN BY        | DATE         |
| JFZHENG         | 2005/12/26   |
| CHECKED BY      | DATE         |
| JFZHENG         | 2005/12/26   |
| APPROVED BY     | DATE         |
| DQLUO           | 2005/12/26   |
| MATERIAL NO.    | DOCUMENT NO. |
| ENTER PART      | SD-887689810 |
| SIZE            |              |
| A 4             |              |

|   |                                |
|---|--------------------------------|
| TITLE   | AWG28 HDMI TO HDMI CABLE ASS'Y |
| MOLEX MOLEX INCORPORATED  |                                |
| SHEET NO.   | 1 OF 00                        |
| THIS DRAWING CONTAINS INFORMATION THAT IS PROPRIETARY TO MOLEX INCORPORATED AND SHOULD NOT BE USED WITHOUT WRITTEN PERMISSION |                                |

7 6 5 4 3 2 1

NOTE:

1. OVEMROLD SPECIFICATION:
    - 1.1 HDMI INNERMOLD WITH BK PVC 887800019.
    - 1.2 HDMI OVERMOLD WITH PVC 887800150.
  2. MECHANICAL SPECIFICATION:
 

CABLE SHOULD STAND THE PULL FORCE 89-111N FOR 30 SECONDS WITH NO VISIBLE TERMINATION DAMAGE.
  3. PRODUCT ELECTRICAL SPECIFICATION:
    - 3.1 DIELECTRIC STRENGTH.
    - 3.2 INSULATION RESISTANCE
    - 3.3 CONDUCTIVE RESISTANCE.
    - 3.4 TMDS Signals Time Domain Impedence
    - 3.5 TMDS Signals Time Domain Crosstalk:FEXT
    - 3.6 TMDS Signals Skew
    - 3.7 Attenuation(
- REFER TO ES-002 ELECTRICAL SPECIFICATION FOR DETAILS.
- 4.CABLE CONSTRUCTION  
(AWG#28\*1P+D)\*4 + AWG#28\*1P + AWG#28\*5C, 7.3MMOD
  5. THIS PRODUCT MUST MEET ROHS COMPLIANCE.

WIRE DIAGRAM:

| SHIELD | SHIELD | OVERALL SHIELD | GROUND             |
|--------|--------|----------------|--------------------|
| PIN 19 | PIN 19 | PINK           | HOT PLUG DETECT    |
| PIN 18 | PIN 18 | ORANGE         | +5V POWER          |
| PIN 17 | PIN 17 | YELLOW         | DDC/CEC GROUND     |
| PIN 16 | PIN 16 | WHITE          | SDA                |
| PIN 15 | PIN 15 | RED            | SCL                |
| PIN 14 | PIN 14 | VIOLET         | RESERVED           |
| PIN 13 | PIN 13 | GRAY           | CEC                |
| PIN 12 | PIN 12 | WHITE          | TMDS CLOCK-        |
| PIN 11 | PIN 11 | BRAID          | TMDS CLOCK SHIELD  |
| PIN 10 | PIN 10 | WHITE/BLACK    | TMDS CLOCK+        |
| PIN 9  | PIN 9  | WHITE          | TMDS DATA 0-       |
| PIN 8  | PIN 8  | BRAID          | TMDS DATA 0 SHIELD |
| PIN 7  | PIN 7  | WHITE/BLUE     | TMDS DATA 0+       |
| PIN 6  | PIN 6  | WHITE          | TMDS DATA 1-       |
| PIN 5  | PIN 5  | BRAID          | TMDS DATA 1 SHIELD |
| PIN 4  | PIN 4  | WHITE/GREEN    | TMDS DATA 1+       |
| PIN 3  | PIN 3  | WHITE          | TMDS DATA 2-       |
| PIN 2  | PIN 2  | BRAID          | TMDS DATA 2 SHIELD |
| PIN 1  | PIN 1  | WHITE/RED      | TMDS DATA 2+       |
| HDMI   | HDMI   | COLOR          | CABLE FUNCTION     |

|      |                                    |   |      |
|------|------------------------------------|---|------|
| D    | SMALL METAL PLATE 47152-6009       |   | 2    |
| C    | HDMI METAL CAN 47152-4001          |   | 2    |
| B    | HDMI HOUSING ASSY' 47152-1100      |   | 2    |
| A    | HDMI SINGLE LINK CABLE (SEE TABLE) |   | 1    |
| ITEM | DESCRIPTION                        | L | QTY. |

|  |                             |                                       |  |                            |   |                              |   |                        |  |  |
|--|-----------------------------|---------------------------------------|--|----------------------------|---|------------------------------|---|------------------------|--|--|
| ENTER DESCRIPTION<br>EC NO: DG2006-0144<br>TDRWN: JFZHENG 2005/12/27<br>CHKD: 2005/12/30<br>APPR: DQLUO 2006/01/16 | QUALITY SYMBOLS<br>=0<br>=0 | GENERAL TOLERANCES (UNLESS SPECIFIED) |  | DIMENSION STYLE<br>MM ONLY |   | SCALE<br>---                 | DESIGN UNITS<br>METRIC                  | THIRD ANGLE PROJECTION |  |  |
|  |                             |                                       | mm   | INCH                       | DRAWN BY<br>JFZHENG   | DATE<br>2005/12/26           | TITLE<br>AWG28 HDMI TO HDMI CABLE ASS'Y |                        |  |  |
|  |                             | 4 PLACES                              | ±---   | ±---                       | CHECKED BY<br>JFZHENG   | DATE<br>2005/12/26           | MOLEX INCORPORATED                      |                        |  |  |
|  |                             | 3 PLACES                              | ±---   | ±---                       | APPROVED BY<br>DQLUO  | DATE<br>2005/12/26           |   |                        |  |  |
| 2 PLACES   | ±---                        | ±---                                  | ANGULAR ±---°  |                            | MATERIAL NO.<br>ENTER PART  | DOCUMENT NO.<br>SD-887689810 | SHEET NO.<br>2 OF 00                    |                        |  |  |
| 1 PLACE  | ±---                        | ±---                                  | DRAFT WHERE APPLICABLE MUST REMAIN WITHIN DIMENSIONS |                            | THIS DRAWING CONTAINS INFORMATION THAT IS PROPRIETARY TO MOLEX INCORPORATED AND SHOULD NOT BE USED WITHOUT WRITTEN PERMISSION |                              |   |                        |  |  |

6 5 4 3 2 1