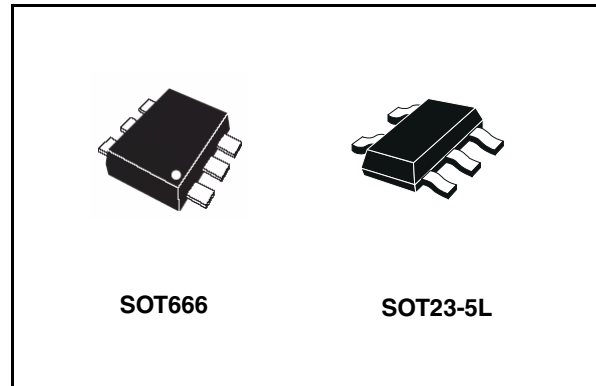


Features

- Input voltage from 1.5 to 5.5 V
- Ultra low dropout voltage (80 mV typ. at 100 mA load)
- Very low quiescent current (18 μ A typ. at no load, 35 μ A typ. at 150 mA load, 1 μ A max in off mode)
- Very low noise without bypass capacitor (29 μ V_{RMS} at $V_{OUT} = 0.8$ V)
- Output voltage tolerance: $\pm 2.0\%$ @ 25 °C
- 150 mA guaranteed output current
- Wide range of output voltages available on request: 0.8 V to 3.3 V with 100 mV step
- Logic-controlled electronic shutdown
- Compatible with ceramic capacitors $C_O = 1$ μ F
- Internal current and thermal limit
- Available in SOT666 and SOT23-5L packages
- Temperature range: -40 °C to 125 °C



from 1.5 V to 5.5 V with a typical dropout voltage of 80 mV. It is stable with ceramic capacitor. The ultra-low drop voltage, low quiescent current and low noise features make it suitable for low power battery-powered applications. Power supply rejection is 65 dB at low frequencies and starts to roll off at 10 kHz. Enable logic control function puts the LD39015xx in shut-down mode allowing a total current consumption lower than 1 μ A. The device also includes short-circuit constant current limiting and thermal protection. Typical applications are mobile phones, personal digital assistants (PDAs), cordless phones or similar battery-powered systems.

Description

The LD39015xx series provides 150 mA maximum current from an input voltage ranging

Table 1. Device summary

Part numbers	Order codes		Output voltages
	SOT666	SOT23-5L	
LD39015XX08	LD39015XG08R	LD39015M08R	0.8 V
LD39015XX10	LD39015XG10R ⁽¹⁾	LD39015M10R	1.0 V
LD39015XX12	LD39015XG12R	LD39015M12R	1.2 V
LD39015XX125		LD39015M125R	1.25 V
LD39015XX15	LD39015XG15R ⁽¹⁾	LD39015M15R	1.5 V
LD39015XX18	LD39015XG18R ⁽¹⁾	LD39015M18R	1.8 V
LD39015XX25	LD39015XG25R ⁽¹⁾	LD39015M25R	2.5 V
LD39015XX33	LD39015XG33R	LD39015M33R	3.3 V

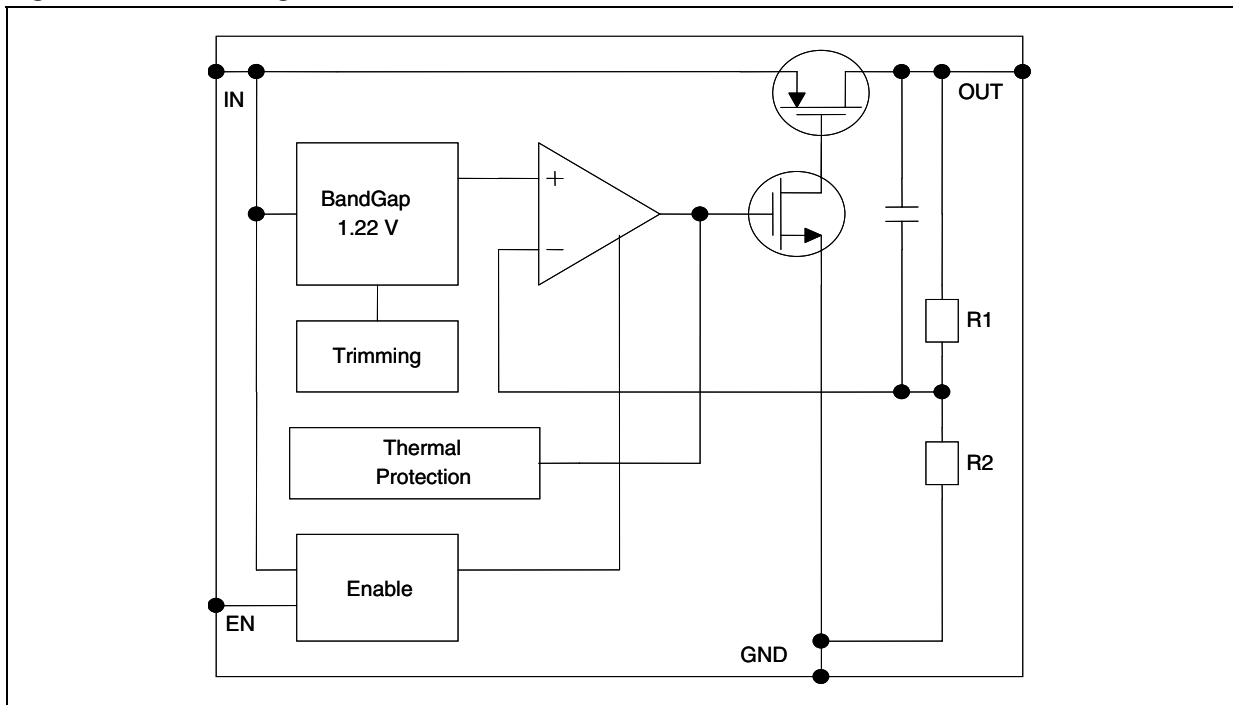
1. Available on request. Other voltages available on request from 0.8 V to 3.3 V in 100 mV step.

Contents

1	Diagram	3
2	Pin configuration	4
3	Typical application	5
4	Maximum ratings	6
5	Electrical characteristics	7
6	Typical performance characteristics	9
7	Package mechanical data	11
8	Revision history	15

1 Diagram

Figure 1. Block diagram



2 Pin configuration

Figure 2. Pin connection (top view)

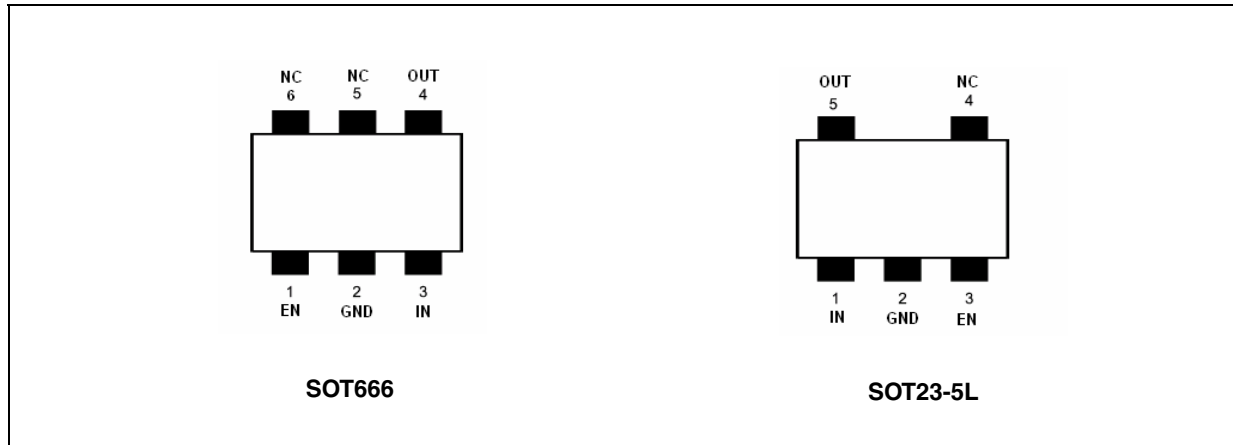
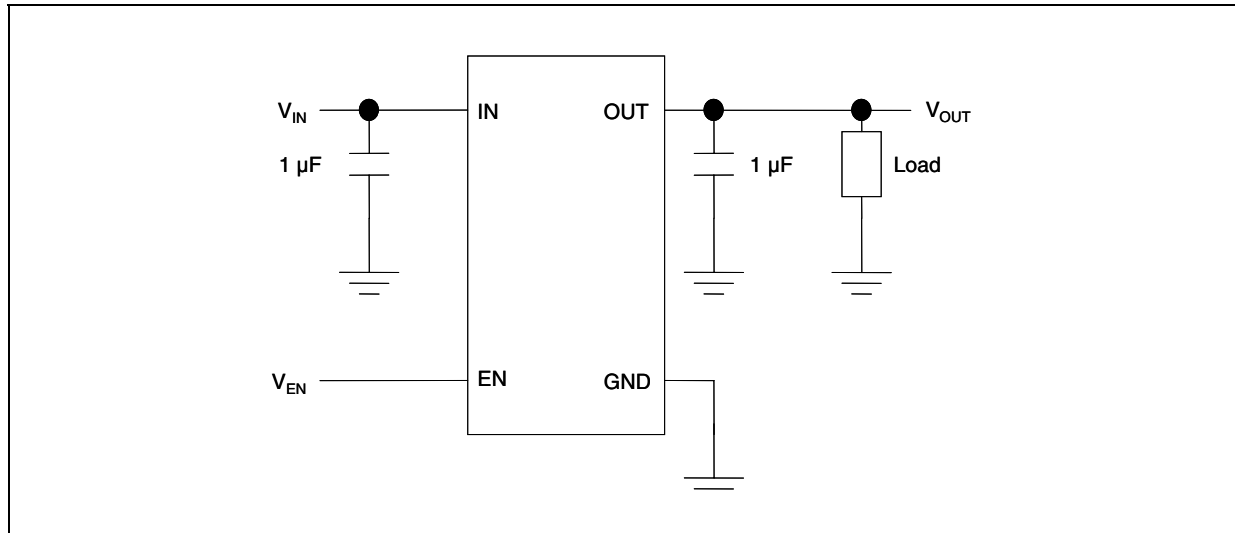


Table 2. Pin description

Pin n°		Symbol	Function
SOT666	SOT23-5L		
1	3	EN	Enable pin logic input: Low=shutdown, High=active
2	2	GND	Common ground.
3	1	IN	Input voltage of the LDO
4	5	OUT	Output voltage
5	4	NC	Not connected
6		NC	Not connected

3 Typical application

Figure 3. Typical application circuit



4 Maximum ratings

Table 3. Absolute maximum ratings

Symbol	Parameter	Value	Unit
V_{IN}	DC input voltage	-0.3 to 7	V
V_{OUT}	DC output voltage	- 0.3 to $V_I + 0.3$	V
V_{EN}	Enable input voltage	- 0.3 to $V_I + 0.3$	V
I_{OUT}	Output current	Internally limited	mA
P_D	Power dissipation	Internally limited	mW
T_{STG}	Storage temperature range	-65 to 150	°C
T_{OP}	Operating junction temperature range	-40 to 125	°C

Note: Absolute maximum ratings are those values beyond which damage to the device may occur. Functional operation under these conditions is not implied. All values are referred to GND.

Table 4. Thermal data

Symbol	Parameter	SOT23-5L	SOT666	Unit
R_{thJA}	Thermal resistance junction-ambient	255	132	°C/W
R_{thJC}	Thermal resistance junction-case	81	56	°C/W

5 Electrical characteristics

$T_J = 25\text{ }^\circ\text{C}$, $V_{IN} = V_{OUT(NOM)} + 1\text{ V}$, $C_{IN} = C_{OUT} = 1\text{ }\mu\text{F}$, $I_{OUT} = 1\text{ mA}$, $V_{EN} = V_{IN}$, unless otherwise specified.

Table 5. Electrical characteristics (1)

Symbol	Parameter	Test conditions	Min.	Typ.	Max.	Unit
V_{IN}	Operating input voltage		1.5		5.5	V
V_{UVLO}	Turn-on threshold			1.45	1.48	V
	Turn-off threshold		1.30	1.35		mV
V_{OUT}	V_{OUT} accuracy	$V_{OUT} > 1.5\text{V}$, $I_{OUT} = 1\text{mA}$, $T_J = 25\text{ }^\circ\text{C}$	-2.0		2.0	%
		$V_{OUT} > 1.5\text{V}$, $I_{OUT} = 1\text{mA}$, $-40\text{ }^\circ\text{C} < T_J < 125\text{ }^\circ\text{C}$	-3.0		3.0	
		$V_{OUT} \leq 1.5\text{V}$, $I_{OUT} = 1\text{mA}$		± 10		mV
		$V_{OUT} \leq 1.5\text{V}$, $I_{OUT} = 1\text{mA}$, $-40\text{ }^\circ\text{C} < T_J < 125\text{ }^\circ\text{C}$		± 30		
ΔV_{OUT}	Static line regulation	$V_{OUT} + 1\text{V} \leq V_{IN} \leq 5.5\text{V}$, $I_{OUT} = 1\text{mA}$		0.01		%/V
ΔV_{OUT}	Transient line regulation (2)	$\Delta V_{IN} = +500\text{mV}$, $I_{OUT} = 1\text{mA}$, $T_R = T_F = 5\mu\text{s}$		10		mVpp
ΔV_{OUT}	Static load regulation	$I_{OUT} = 1\text{mA}$ to 150mA		0.002		%/mA
ΔV_{OUT}	Transient load regulation (2)	$I_{OUT} = 1\text{mA}$ to 150mA , $T_R = T_F = 5\mu\text{s}$		40		mVpp
V_{DROP}	Dropout voltage (3)	$I_{OUT} = 100\text{mA}$, $V_{OUT} > 1.5\text{V}$ $-40\text{ }^\circ\text{C} < T_J < 125\text{ }^\circ\text{C}$		80	100	mV
e_N	Output noise voltage	1.1kHz to 100kHz, $I_{OUT} = 10\text{mA}$, $V_{OUT} = 0.8\text{V}$		29		μV_{RMS}
SVR	Supply voltage rejection $V_{OUT} = 1.5\text{V}$	$V_{IN} = V_{OUTNOM} + 0.5\text{V} \pm V_{RIPPLE}$ $V_{RIPPLE} = 0.1\text{V}$, Freq. = 1kHz $I_{OUT} = 10\text{mA}$		65		dB
		$V_{IN} = V_{OUTNOM} + 0.5\text{V} \pm V_{RIPPLE}$ $V_{RIPPLE} = 0.1\text{V}$, Freq.=10kHz $I_{OUT} = 10\text{mA}$		62		
I_Q	Quiescent current	$I_{OUT} = 0\text{mA}$		18		μA
		$I_{OUT} = 0\text{mA}$, $-40\text{ }^\circ\text{C} < T_J < 125\text{ }^\circ\text{C}$			50	
		$I_{OUT} = 0$ to 150mA		38		
		$I_{OUT} = 0$ to 150mA $-40\text{ }^\circ\text{C} < T_J < 125\text{ }^\circ\text{C}$			70	
		V_{IN} input current in OFF MODE: $V_{EN} = \text{GND}$		0.001	1	
I_{SC}	Short circuit current	$R_L = 0$		350		mA
V_{EN}	Enable input logic low	$V_{IN} = 1.5\text{V}$ to 5.5V , $-40\text{ }^\circ\text{C} < T_J < 125\text{ }^\circ\text{C}$			0.4	V
	Enable input logic high	$V_{IN} = 1.5\text{V}$ to 5.5V , $-40\text{ }^\circ\text{C} < T_J < 125\text{ }^\circ\text{C}$	0.9			V

Table 5. Electrical characteristics (continued) ⁽¹⁾

Symbol	Parameter	Test conditions	Min.	Typ.	Max.	Unit
I _{EN}	Enable pin input current	V _{EN} = V _{IN}		0.1	100	nA
T _{ON}	Turn on time ⁽⁴⁾			30		μs
T _{SHDN}	Thermal shutdown			160		°C
	Hysteresis			20		
C _{OUT}	Output capacitor	Capacitance (see typical performance characteristics for stability)	1		22	μF

1. For V_{OUT(NOM)} < 1.2 V, V_{IN} = 1.5 V
2. All transient values are guaranteed by design, not production tested
3. Dropout voltage is the input-to-output voltage difference at which the output voltage is 100 mV below its nominal value. This specification does not apply for output voltages below 1.5 V
4. Turn-on time is the time measured between the enable input just exceeding V_{EN} High Value and the output voltage just reaching 95 % of its nominal value

6 Typical performance characteristics

Figure 4. Output voltage vs. temperature

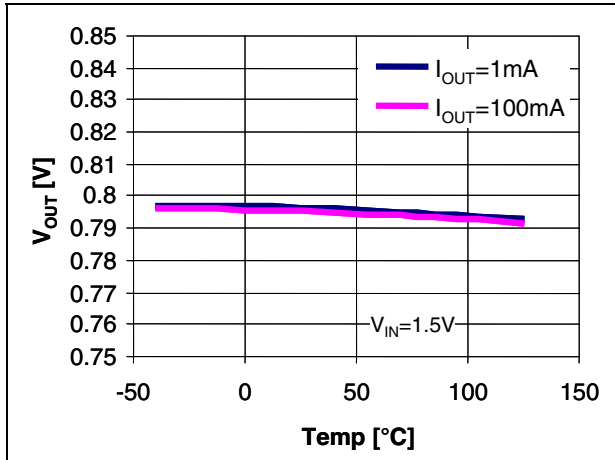


Figure 5. Output voltage vs. input voltage

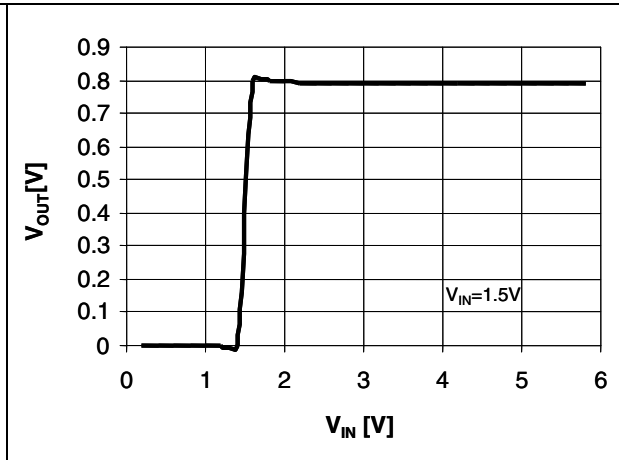


Figure 6. Dropout voltage vs. output current

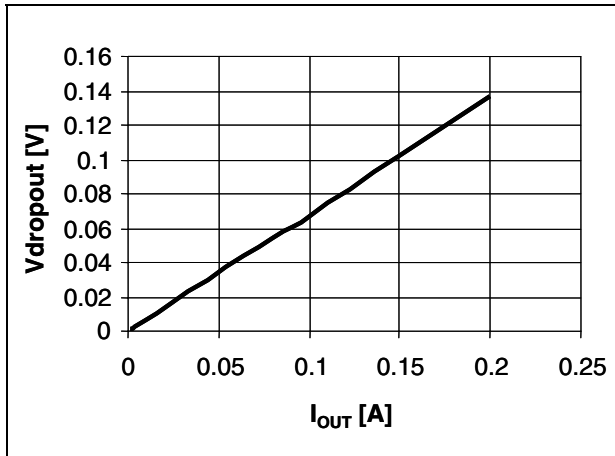


Figure 7. C_{OUT} stability region

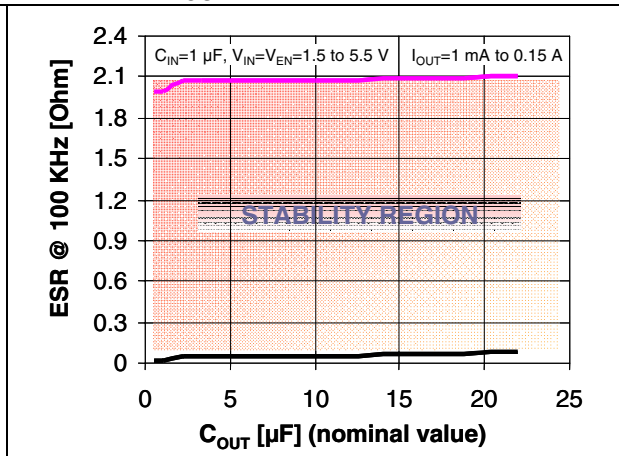


Figure 8. Supply voltage rejection vs. frequency

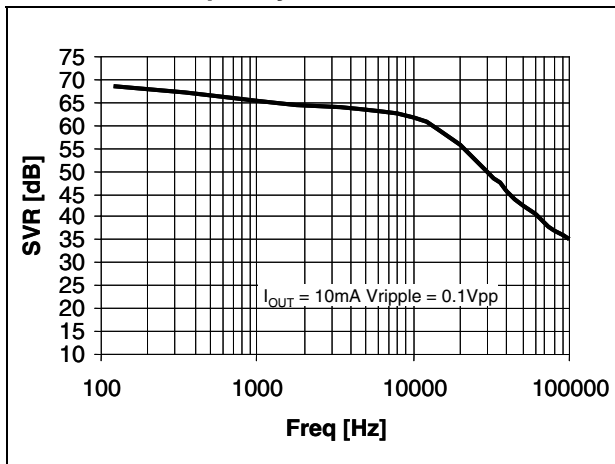


Figure 9. Output noise voltage vs. frequency

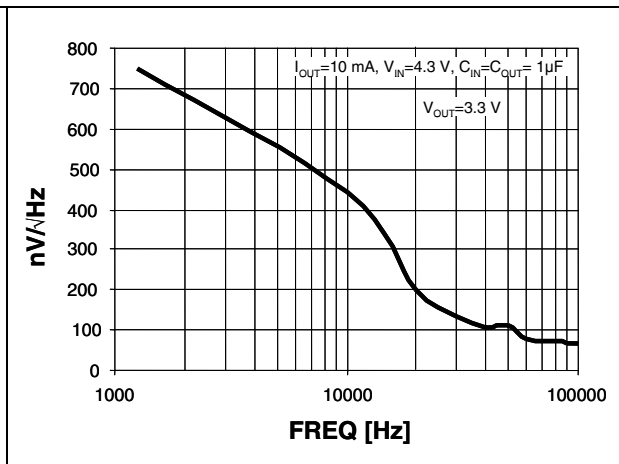


Figure 10. Quiescent current vs. input voltage Figure 11. Load transient

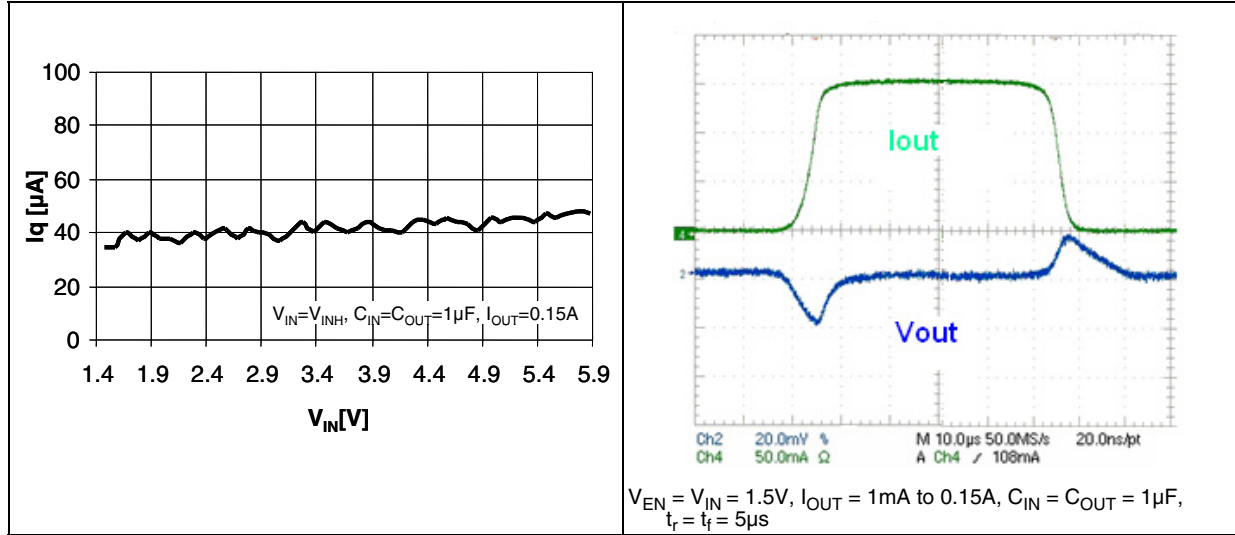


Figure 12. Line transient

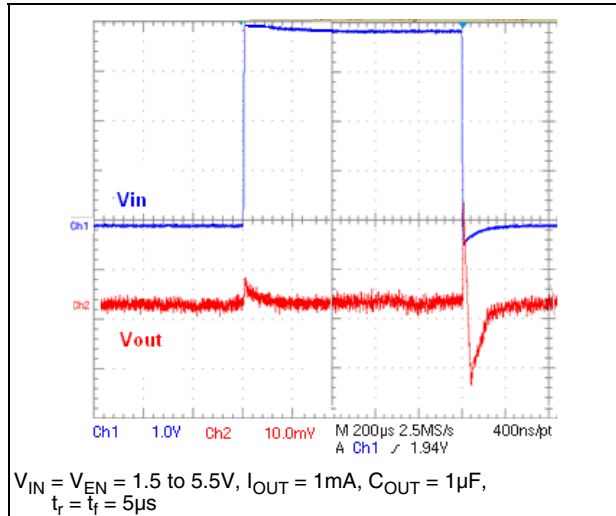
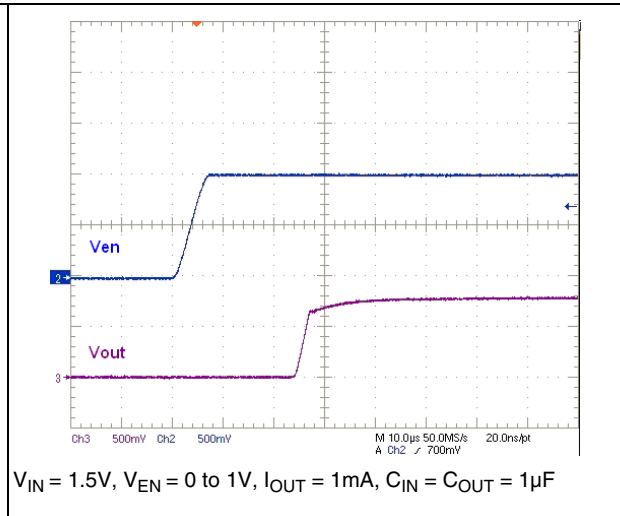


Figure 13. Enable transient

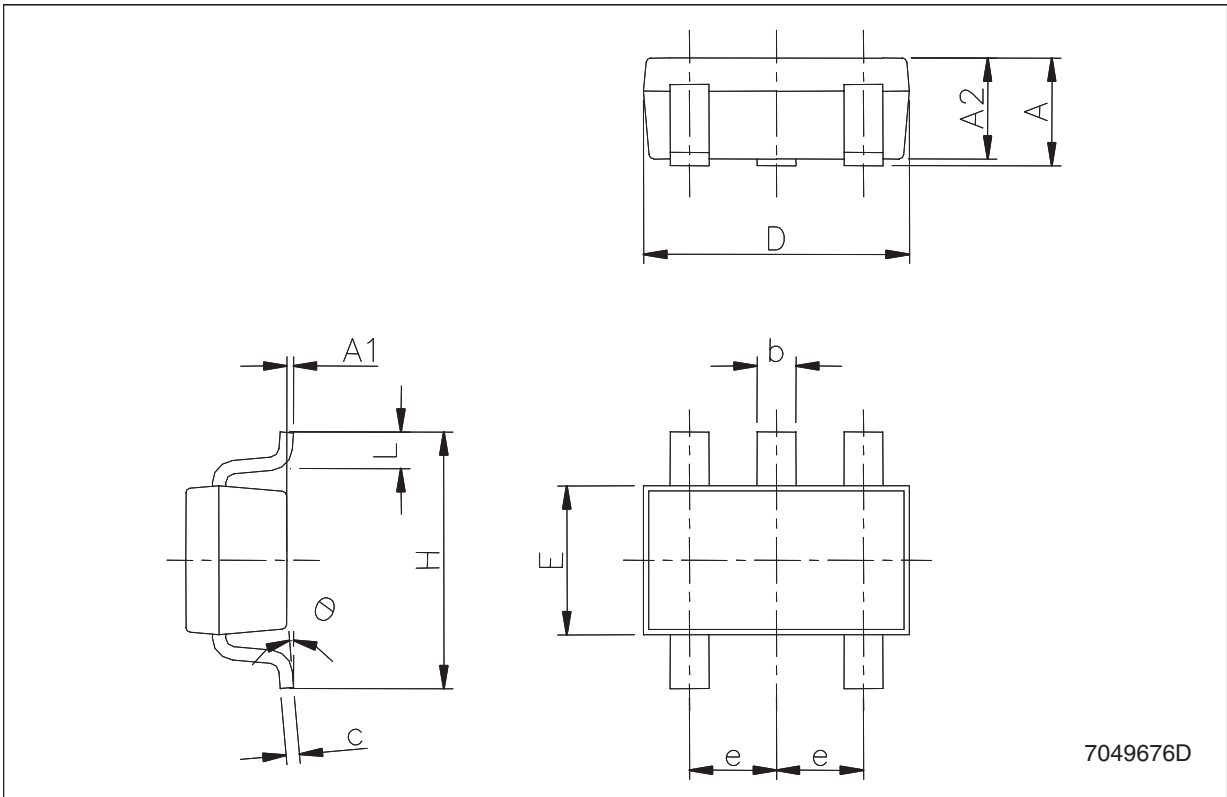


7 Package mechanical data

In order to meet environmental requirements, ST offers these devices in different grades of ECOPACK[®] packages, depending on their level of environmental compliance. ECOPACK[®] specifications, grade definitions and product status are available at: www.st.com. ECOPACK is an ST trademark.

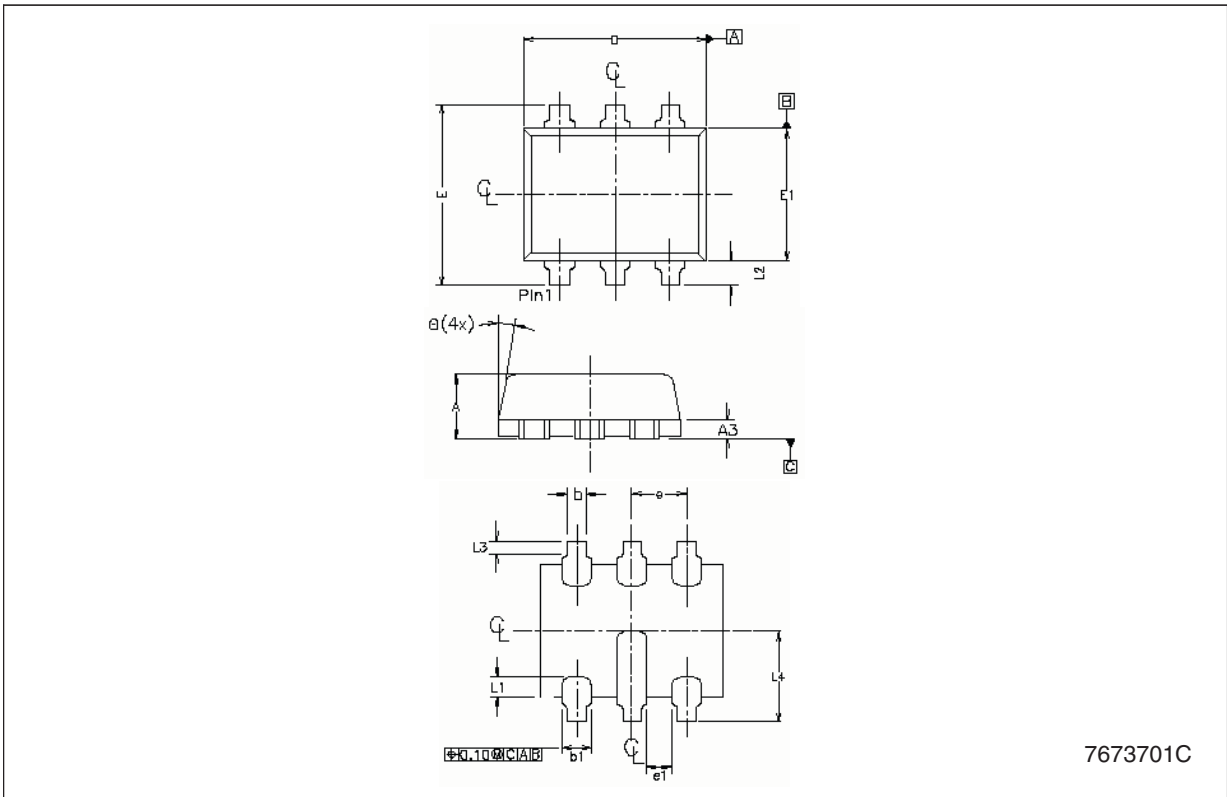
SOT23-5L mechanical data

Dim.	mm.			mils.		
	Min.	Typ.	Max.	Min.	Typ.	Max.
A	0.90		1.45	35.4		57.1
A1	0.00		0.10	0.0		3.9
A2	0.90		1.30	35.4		51.2
b	0.35		0.50	13.7		19.7
C	0.09		0.20	3.5		7.8
D	2.80		3.00	110.2		118.1
E	1.50		1.75	59.0		68.8
e		0.95			37.4	
H	2.60		3.00	102.3		118.1
L	0.10		0.60	3.9		23.6



SOT666 mechanical data

Dim.	mm.			inch.		
	Min.	Typ.	Max.	Min.	Typ.	Max.
A	0.53	0.57	0.60	0.021	0.022	0.024
A3	0.13	0.17	0.18	0.005	0.006	0.007
D	1.50	1.66	1.70	0.059	0.065	0.067
E	1.50	1.65	1.70	0.059	0.065	0.067
E1	1.10	1.20	1.30	0.043	0.047	0.051
L1	0.11	0.19	0.26	0.004	0.007	0.010
L2	0.10	0.23	0.30	0.004	0.009	0.012
L3	0.05	0.10		0.002	0.004	
b	0.17		0.25	0.17		0.25
b1		0.27	0.34		0.27	0.34
e		0.50			0.5	
e1	0.20			0.2		
θ	8°	10°	12°	8°	10°	12°



Tape & reel SOT23-xL mechanical data

Dim.	mm.			inch.		
	Min.	Typ.	Max.	Min.	Typ.	Max.
A			180			7.086
C	12.8	13.0	13.2	0.504	0.512	0.519
D	20.2			0.795		
N	60			2.362		
T			14.4			0.567
Ao	3.13	3.23	3.33	0.123	0.127	0.131
Bo	3.07	3.17	3.27	0.120	0.124	0.128
Ko	1.27	1.37	1.47	0.050	0.054	0.058
Po	3.9	4.0	4.1	0.153	0.157	0.161
P	3.9	4.0	4.1	0.153	0.157	0.161



8 Revision history

Table 6. Document revision history

Date	Revision	Changes
13-Nov-2007	1	Initial release.
11-Apr-2008	2	Modified: Table 5 on page 7.
12-Feb-2009	3	Modified: Table 1 on page 1.

Please Read Carefully:

Information in this document is provided solely in connection with ST products. STMicroelectronics NV and its subsidiaries ("ST") reserve the right to make changes, corrections, modifications or improvements, to this document, and the products and services described herein at any time, without notice.

All ST products are sold pursuant to ST's terms and conditions of sale.

Purchasers are solely responsible for the choice, selection and use of the ST products and services described herein, and ST assumes no liability whatsoever relating to the choice, selection or use of the ST products and services described herein.

No license, express or implied, by estoppel or otherwise, to any intellectual property rights is granted under this document. If any part of this document refers to any third party products or services it shall not be deemed a license grant by ST for the use of such third party products or services, or any intellectual property contained therein or considered as a warranty covering the use in any manner whatsoever of such third party products or services or any intellectual property contained therein.

UNLESS OTHERWISE SET FORTH IN ST'S TERMS AND CONDITIONS OF SALE ST DISCLAIMS ANY EXPRESS OR IMPLIED WARRANTY WITH RESPECT TO THE USE AND/OR SALE OF ST PRODUCTS INCLUDING WITHOUT LIMITATION IMPLIED WARRANTIES OF MERCHANTABILITY, FITNESS FOR A PARTICULAR PURPOSE (AND THEIR EQUIVALENTS UNDER THE LAWS OF ANY JURISDICTION), OR INFRINGEMENT OF ANY PATENT, COPYRIGHT OR OTHER INTELLECTUAL PROPERTY RIGHT.

UNLESS EXPRESSLY APPROVED IN WRITING BY AN AUTHORIZED ST REPRESENTATIVE, ST PRODUCTS ARE NOT RECOMMENDED, AUTHORIZED OR WARRANTED FOR USE IN MILITARY, AIR CRAFT, SPACE, LIFE SAVING, OR LIFE SUSTAINING APPLICATIONS, NOR IN PRODUCTS OR SYSTEMS WHERE FAILURE OR MALFUNCTION MAY RESULT IN PERSONAL INJURY, DEATH, OR SEVERE PROPERTY OR ENVIRONMENTAL DAMAGE. ST PRODUCTS WHICH ARE NOT SPECIFIED AS "AUTOMOTIVE GRADE" MAY ONLY BE USED IN AUTOMOTIVE APPLICATIONS AT USER'S OWN RISK.

Resale of ST products with provisions different from the statements and/or technical features set forth in this document shall immediately void any warranty granted by ST for the ST product or service described herein and shall not create or extend in any manner whatsoever, any liability of ST.

ST and the ST logo are trademarks or registered trademarks of ST in various countries.

Information in this document supersedes and replaces all information previously supplied.

The ST logo is a registered trademark of STMicroelectronics. All other names are the property of their respective owners.

© 2009 STMicroelectronics - All rights reserved

STMicroelectronics group of companies

Australia - Belgium - Brazil - Canada - China - Czech Republic - Finland - France - Germany - Hong Kong - India - Israel - Italy - Japan - Malaysia - Malta - Morocco - Singapore - Spain - Sweden - Switzerland - United Kingdom - United States of America

www.st.com