

Customer Information Sheet

DRAWING No.: M80-500XXX

SHEET 2 OF 2

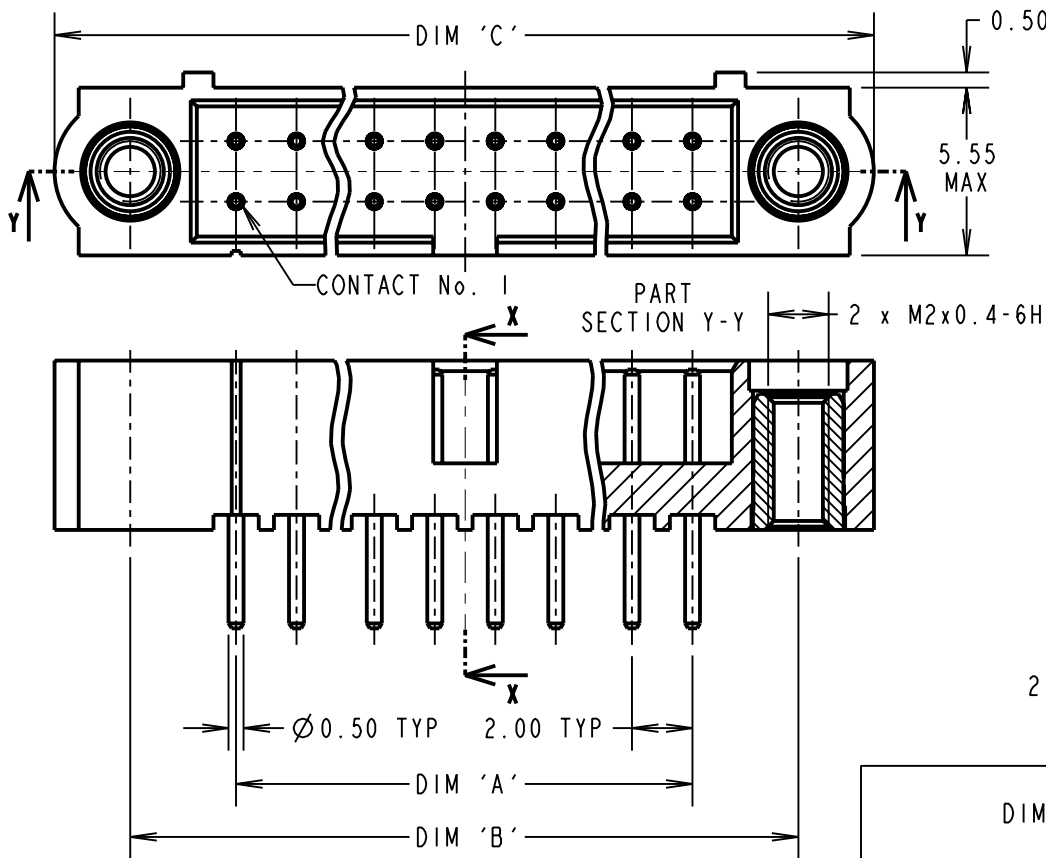
IF IN DOUBT - ASK

©

NOT TO SCALE

THIRD ANGLE PROJECTION

ALL DIMENSIONS IN mm



ORDER CODE:
M80-500XXX

No. OF CONTACTS
04 TO 50
(EVEN NUMBERS ONLY)

FINISH
05 - 100% GOLD
22 - SELECTIVE GOLD + TIN/LEAD
42 - SELECTIVE GOLD + 100% TIN

SPECIFICATIONS:

MATERIAL:
MOULDING = GLASS-FILLED PPS,
UL94V-0, BLACK
CONTACT = PHOSPHOR BRONZE
JACKSCREW = STAINLESS STEEL

FINISH:
05 CONTACT = 0.25-0.3µ ALL OVER GOLD
22 CONTACT = 0.75µ GOLD ON CONTACT AREA,
3µ 90/10 TIN/LEAD ON TAILS
42 CONTACT = 0.75µ GOLD ON CONTACT AREA,
3µ 100% TIN ON TAILS

ELECTRICAL:
CURRENT RATING AT 25°C = 3.0A MAX
CURRENT RATING AT 85°C = 2.2A MAX
WORKING VOLTAGE = 120V AC/DC
VOLTAGE PROOF = 360V AC/DC
CONTACT RESISTANCE = 25 mΩ MAX
INSULATION RESISTANCE = 100 MΩ MIN

MECHANICAL:
DURABILITY = 500 OPERATIONS

ENVIRONMENTAL:
TEMPERATURE RANGE = -55°C TO +125°C

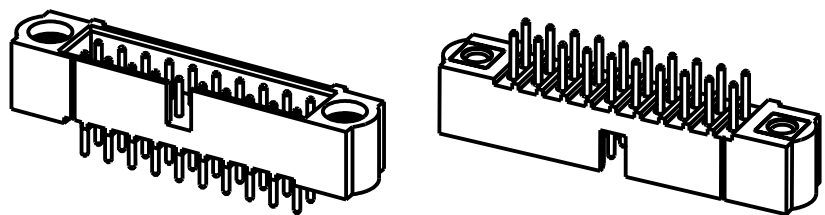
PACKING:
TUBE

FOR COMPLETE SPECIFICATION, SEE
COMPONENT SPECIFICATION C005XX
(LATEST ISSUE)

NOTES:
1. RECOMMENDED PCB HOLE
SIZE = Ø0.65mm MIN.

DIMENSION	CALCULATION
DIM 'A'	TOTAL No. OF CONTACTS - 2
DIM 'B'	TOTAL No. OF CONTACTS + 5
DIM 'C'	TOTAL No. OF CONTACTS + 10
EXAMPLE: CONNECTOR WITH 20 CONTACTS, GOLD ON CONTACT AREA AND 100% TIN ON TAIL, M80-5002042.	
DIM 'A' = 18.00mm, DIM 'B' = 25.00mm, DIM 'C' = 30.00mm	

SM	E	15.06.10	10834
NAME	ISS.	DATE	C/NOTE
APPROVED: S. MCCULLAGH			
CHECKED: R. ADDE			
DRAWN: W. J. BOURNE			
CUSTOMER REF.:			
ASSEMBLY DRG:			



HARWIN

HARWIN USA
TEL: 603 893 5376
FAX: 603 893 5396
mis@harwin.com

HARWIN Europe (UK)
TEL: 023 9231 4545
FAX: 023 9231 4590
mis@harwin.co.uk

HARWIN Asia
TEL: +65 6 779 4909
FAX: +65 6 779 3868
mis@harwin.com.sg

THIS DRAWING AND ANY INFORMATION OR DESCRIPTIVE MATTER SET OUT HEREON ARE CONFIDENTIAL AND COPYRIGHT PROPERTY OF THE HARWIN GROUP AND MUST NOT BE DISCLOSED, LOANED, COPIED OR USED FOR MANUFACTURING, TENDERING OR FOR ANY OTHER PURPOSE WITHOUT THEIR WRITTEN PERMISSION.

TOLERANCES
X. = ±1mm
X.X = ±0.25mm
X.XX = ±0.10mm
X.XXX = ±0.01mm

ANGLES = ±5°
UNLESS STATED

MATERIAL:
SEE ABOVE

FINISH:
SEE ABOVE

S/AREA:
mm²

TITLE: JACKSCREW DATAMATE
DIL VERTICAL PC TAIL
MALE ASSEMBLY

DRAWING NUMBER:
M80-500XXX

SHT
2 OF 2