

**PLEASE CHECK WWW.MOLEX.COM FOR LATEST PART INFORMATION**

**Part Number:** **0473931001**  
**Status:** **Active**  
**Overview:** [pogo\\_pins](#)  
**Description:** 2.50mm (.098") Pitch Pogo Connector, Height: 3.95mm (.156"), 1.02µm (40 µ") Gold (Au) over Nickel Plating, 2 Circuits, 4 Soldering Positions

**Documents:**

[3D Model](#) [Product Specification PS-47393-101 \(PDF\)](#)  
[Drawing \(PDF\)](#) [RoHS Certificate of Compliance \(PDF\)](#)

**General**

Product Family	PCB Headers
Series	<a href="#">47393</a>
Application	Board-to-Board
Comments	Action Heights: 3.25mm (.128"), 3.49mm (.137")
Overview	<a href="#">pogo_pins</a>
Product Name	PoGo Pin

**Physical**

Breakaway	No
Circuits (Loaded)	2
Circuits (maximum)	2, 4
Durability (mating cycles max)	10,000
First Mate / Last Break	No
Glow-Wire Compliant	No
Guide to Mating Part	No
Keying to Mating Part	None
Lock to Mating Part	None
Material - Plating Mating	Gold
Material - Plating Termination	Nickel
Number of Rows	2
Orientation	Vertical
PC Tail Length (in)	0.020 In
PC Tail Length (mm)	0.50 mm
PCB Locator	No
PCB Retention	Yes
Packaging Type	Embossed Tape on Reel
Pitch - Mating Interface (in)	0.098 In
Pitch - Mating Interface (mm)	2.50 mm
Pitch - Term. Interface (in)	0.098 In
Pitch - Term. Interface (mm)	2.50 mm
Polarized to Mating Part	No
Polarized to PCB	No
Shrouded	No
Stackable	No
Surface Mount Compatible (SMC)	No
Temperature Range - Operating	-40°C to +85°C
Termination Interface: Style	Through Hole

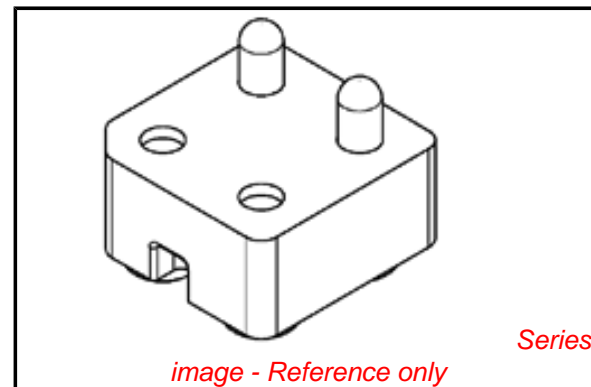
**Electrical**

Current - Maximum per Contact	2A
Voltage - Maximum	60V DC

**Material Info**

**Reference - Drawing Numbers**

Packaging Specification	PK-47393-101
-------------------------	--------------



*image - Reference only*

**EU RoHS**

**ELV and RoHS  
Compliant**  
**REACH SVHC  
Not Reviewed**  
**Halogen-Free  
Status**

**China RoHS**



**Need more information on product  
environmental compliance?**

Email [productcompliance@molex.com](mailto:productcompliance@molex.com)  
For a multiple part number RoHS Certificate of Compliance, [click here](#)

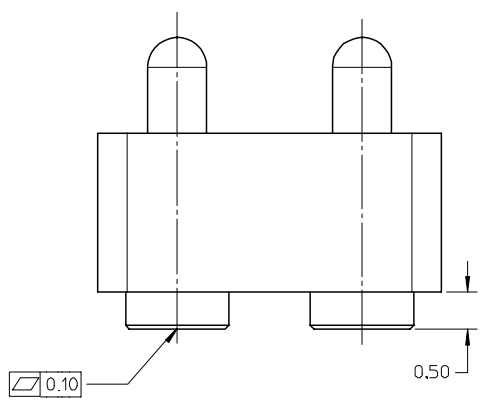
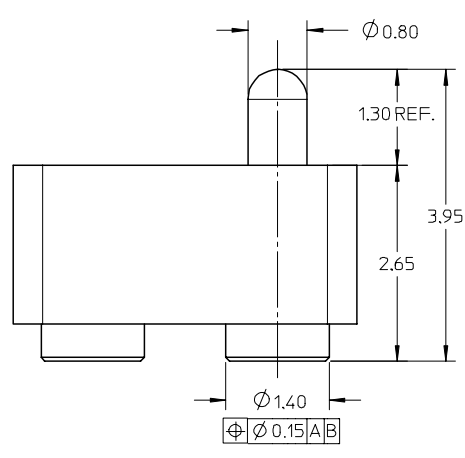
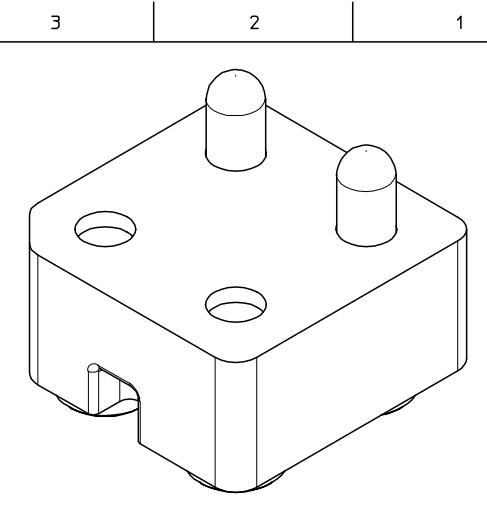
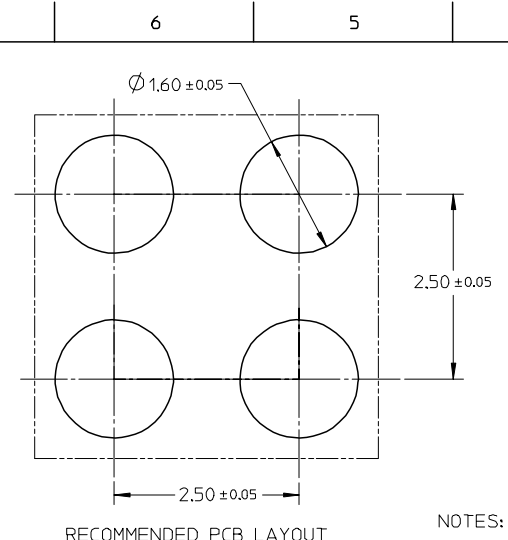
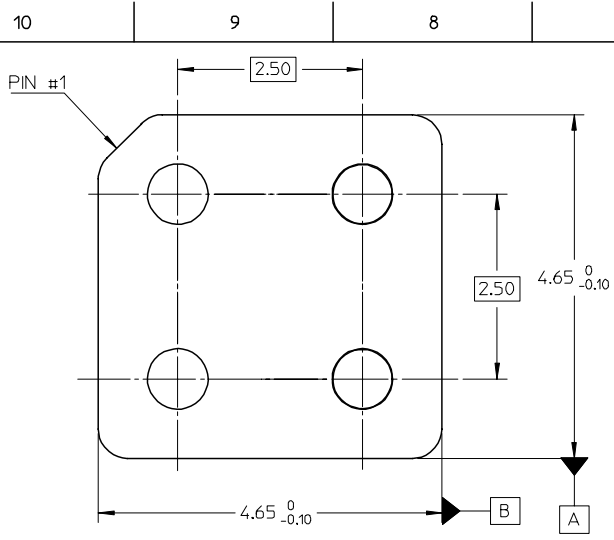
Please visit the [Contact Us](#) section for any non-product compliance questions.

**Search Parts in this Series**

[47393Series](#)

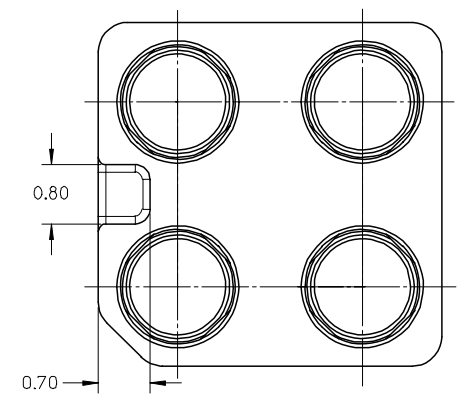
This document was generated on 05/26/2010

**PLEASE CHECK [WWW.MOLEX.COM](http://WWW.MOLEX.COM) FOR LATEST PART INFORMATION**



NOTES:

- 1 MATERIAL:
  - 1-1 PIN : COPPER ALLOY
  - 1-2 SOLDER PAD : COPPER ALLOY
  - 1-3 SPRING : SWP-B
  - 1-4 HOUSING : NYLON 46 UL 94-V0, BLACK
- 2 FINISH:
  - CONTACT PIN : OVERALL 40µ" MIN. GOLD OVER 120 ~200µ", NICKEL
  - SOLDER PAD : BOTH INNER AND OUTER SHOULD BE 6~16µ" GOLD OVER 50~250µ" NICKEL
- 3 MECHANICAL SPECIFICATION:
  - 3-1 CONTACT FORCE AT WORKING HEIGHT OF 3.25mm (PER CONTACT):1 N MIN, CONTACT FORCE AT WORKING HEIGHT OF 3.49mm (PER CONTACT):0.55 N MIN
  - 3-2 NOMINAL WORKING HEIGHT : 3.25mm
  - 3-3 MAX. STROKE IS 1.0mm
  - 3-4 DURABILITY : 10,000 cycles
- 4 ELECTRICAL SPECIFICATION :
  - 4-1 RATING VOLTAGE : 60VDC
  - 4-2 RATING CURRENT : 2A MAX.
  - 4-3 CONTACT RESISTANCE : 30 mOhms MAX AT NOMINAL WORKING HEIGHT
- 5 PRODUCT SPECIFICATION : PS-47393-101



NEW PRODUCT	EC NO:	2007/08/17	QUALITY SYMBOLS ▽=0 ∇C=0	GENERAL TOLERANCES (UNLESS SPECIFIED)		DIMENSION STYLE MM ONLY		SCALE 5:1	DESIGN UNITS METRIC	THIRD ANGLE PROJECTION		
	DRWN:	YANGJIAN		mm	INCH	DRAWN BY	DATE	TITLE ASSEMBLY 2 CONTACT POSITION 4 SOLDERING AREA				
	CHKD:			±---	±---	YANGJIAN	2007/05/10					
	APPR:			±0.15	±---	APPROVED BY	DATE	MOLEX INCORPORATED				
		±---	±---	JNCHEN	2007/05/14							
		ANGULAR ±1/2°		MATERIAL NO.		DOCUMENT NO.		SHEET NO.				
		DRAFT WHERE APPLICABLE MUST REMAIN WITHIN DIMENSIONS		473931001		SD-47393-101		1 OF 1				
		THIS DRAWING CONTAINS INFORMATION THAT IS PROPRIETARY TO MOLEX INCORPORATED AND SHOULD NOT BE USED WITHOUT WRITTEN PERMISSION										