

Monolithic crystal filter

MQF45.0-0750/20



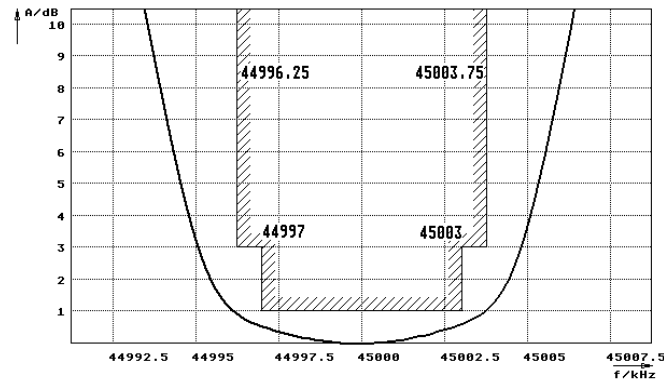
Application

- 4 pol filter
- i.f.- filter
- use in mobile and stationary transceivers

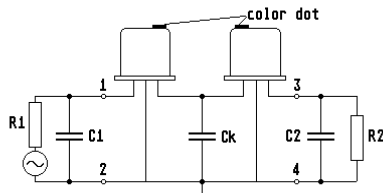
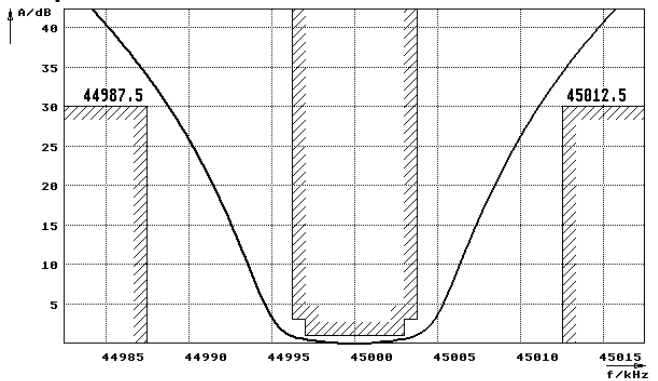
Limiting values		Unit	Value
Nominal frequency	f_0	MHz	45.0
Insertion loss		dB	< 5.0
Pass band at 3.0dB		kHz	$\pm > 3.75$
Ripple in pass band	$f_0 \pm 3 \text{ kHz}$	dB	< 1.0
Stop band attenuation	$f_0 \pm 12.5 \text{ kHz}$	dB	> 30
Alternate attenuation	$f_0 \pm 910 \text{ kHz}$	dB	> 90
Terminating impedance Z			
R1 C1		Ohm/pF	350 6.5
R2 C2		Ohm/pF	350 6.5
Coupling capacitance	Ck	pF	18.0
Operating temp. range		°C	-25... +70

Characteristics MQF45.0-0750/20

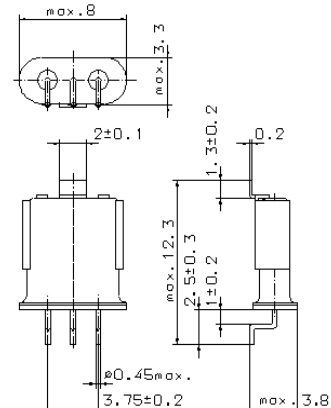
Pass band



Stop band



- Pin connections:
- 1 Input
 - 2 Ground-Input
 - 3 Output
 - 4 Ground-Output



GH9S1