

PLEASE CHECK WWW.MOLEX.COM FOR LATEST PART INFORMATION

Part Number: [0473930001](#)
Status: **Active**
Overview: [pogo_pins](#)
Description: 2.50mm (.098") Pitch Pogo Connector, Height: 3.95mm (.156"), 0.30µm (12 µ") Gold (Au) over Nickel Plating, 2x2 Circuits

Documents:

[3D Model](#) [Product Specification PS-47393-001 \(PDF\)](#)
[Drawing \(PDF\)](#) [RoHS Certificate of Compliance \(PDF\)](#)

General

Product Family	PCB Headers
Series	47393
Application	Board-to-Board
Comments	Action Heights: 3.25mm (.128"), 3.49mm (.137")
Overview	pogo_pins
Product Name	PoGo Pin

Physical

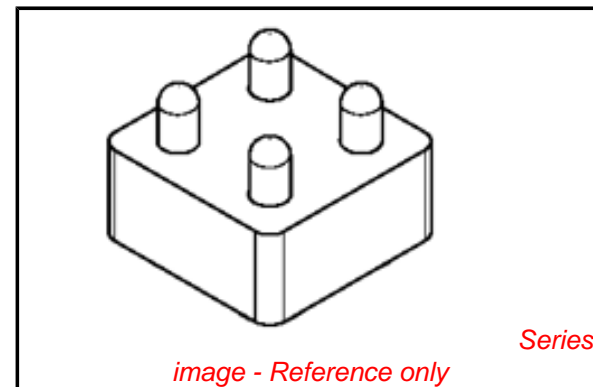
Breakaway	No
Circuits (Loaded)	4
Circuits (maximum)	4
Durability (mating cycles max)	10,000
First Mate / Last Break	No
Glow-Wire Compliant	No
Guide to Mating Part	No
Keying to Mating Part	None
Lock to Mating Part	None
Material - Plating Mating	Gold
Material - Plating Termination	Nickel
Number of Rows	2
Orientation	Vertical
PC Tail Length (in)	0.020 In
PC Tail Length (mm)	0.50 mm
PCB Locator	No
PCB Retention	Yes
Packaging Type	Embossed Tape on Reel
Pitch - Mating Interface (in)	0.098 In
Pitch - Mating Interface (mm)	2.50 mm
Pitch - Term. Interface (in)	0.098 In
Pitch - Term. Interface (mm)	2.50 mm
Polarized to Mating Part	No
Polarized to PCB	No
Shrouded	No
Stackable	No
Surface Mount Compatible (SMC)	No
Temperature Range - Operating	-40°C to +85°C
Termination Interface: Style	Through Hole

Electrical

Current - Maximum per Contact	2A
Voltage - Maximum	60V DC

Solder Process Data

Duration at Max. Process Temperature (seconds)	30
Lead-free Process Capability	Reflow Capable (SMT only)



EU RoHS

RoHS Compliant by Exemption

REACH SVHC

Not Reviewed

Halogen-Free

Status

Not Halogen-Free

China RoHS



Pb

Need more information on product environmental compliance?

Email productcompliance@molex.com
 For a multiple part number RoHS Certificate of Compliance, [click here](#)

Please visit the [Contact Us](#) section for any non-product compliance questions.

Search Parts in this Series

[47393Series](#)

Max. Cycles at Max. Process Temperature	1
Process Temperature max. C	250

Material Info

Reference - Drawing Numbers

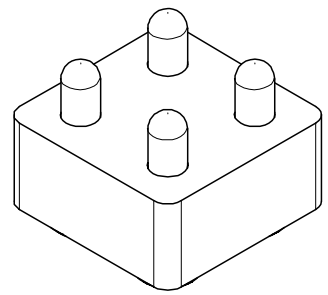
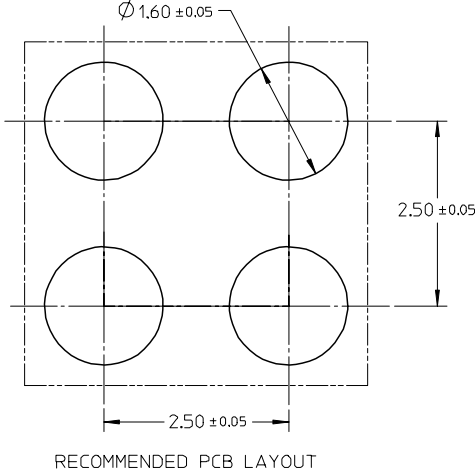
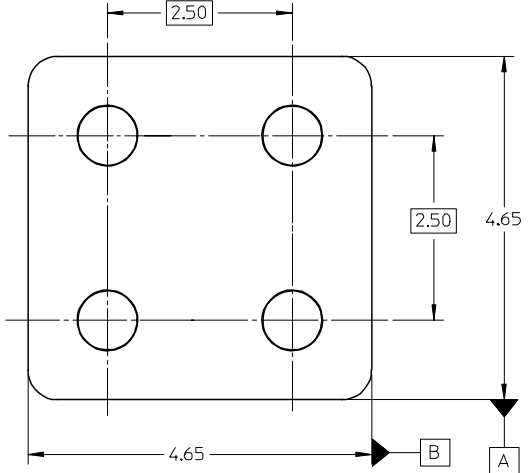
Packaging Specification	PK-47393-001
Product Specification	PS-47393-001
Sales Drawing	SD-47393-001

This document was generated on 05/26/2010

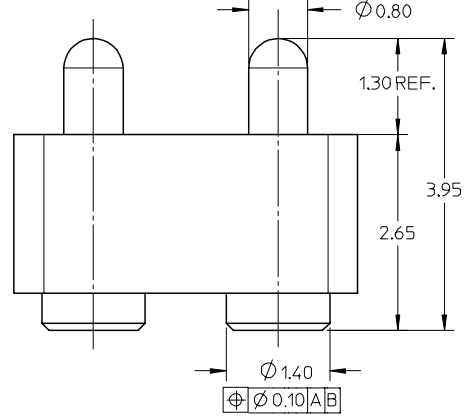
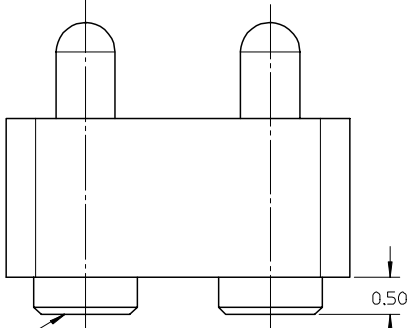
PLEASE CHECK WWW.MOLEX.COM FOR LATEST PART INFORMATION

10 9 8 7 6 5 4 3 2 1

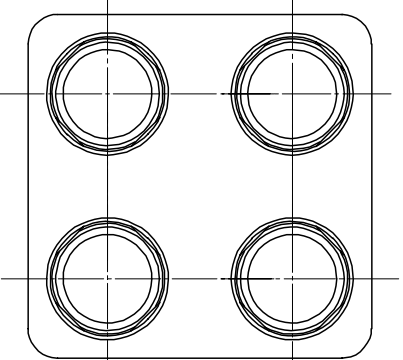
F
E
D
C
B
A



- NOTES:
- MATERIAL:
 - 1-1 PIN : COPPER ALLOY
 - 1-2 SOLDER PAD : COPPER ALLOY
 - 1-3 SPRING : SWP-B
 - 1-4 HOUSING :
 - 473930001 : NYLON 46 UL 94V-0, BLACK
 - 473935001 : NYLON 9T, UL 94V-0, MEDIUM GRAY
 - FINISH:
 - CONTACT PIN : SEE TABLE
 - SOLDER PAD : SEE TABLE
 - MECHANICAL SPECIFICATION:
 - 3-1 CONTACT FORCE AT WORKING HEIGHT OF 3.25mm (PER CONTACT):1 N MIN.
CONTACT FORCE AT WORKING HEIGHT OF 3.49mm (PER CONTACT):0.55 N MIN
 - 3-2 NOMINAL WORKING HEIGHT : 3.25mm
 - 3-3 MAX. STROKE IS 1.0mm
 - 3-4 DURABILITY : 10,000 cycles
 - ELECTRICAL SPECIFICATION :
 - 4-1 RATING VOLTAGE : 60VDC
 - 4-2 RATING CURRENT : 2A MAX.
 - 4-3 CONTACT RESISTANCE : 30 mOhms MAX AT NOMINAL WORKING HEIGHT
 - PRODUCT SPECIFICATION : PS-47393-001



0.10



473935001	CONTACT PIN : OVERALL 40µ MIN. GOLD OVER 120 ~200µ NICKEL SOLDER PAD : BOTH INNER AND OUTER SHOULD BE 6~16µ GOLD OVER 50~250µ NICKEL
473930001	CONTACT PIN : OVERALL 12µ MIN. GOLD OVER 50 ~250µ NICKEL SOLDER PAD : OVERALL 4~12µ MIN. GOLD OVER 50 ~250µ NICKEL
PART NUMBER	PLATING FOR CONTACT PIN AND SOLDER PAD

ADD NEW P/N 473935001
EC NO: DRWN: JYANG13 2007/08/17
CHKD: APPR:

QUALITY SYMBOLS
▽=0
▽C=0

GENERAL TOLERANCES (UNLESS SPECIFIED)	
	mm INCH
4 PLACES	± --- ± ---
3 PLACES	± --- ± ---
2 PLACES	± 0.15 ± ---
1 PLACE	± --- ± ---
ANGULAR ±1/2°	
DRAFT WHERE APPLICABLE MUST REMAIN WITHIN DIMENSIONS	

DIMENSION STYLE	
MM ONLY	
DRAWN BY	DATE
CYZHU	2006/04/19
CHECKED BY	DATE
XIXU	2006/04/22
APPROVED BY	DATE
JNCHEN	2006/04/22
MATERIAL NO.	DOCUMENT NO.
SEE TABLE	SD-47393-001

SCALE	DESIGN UNITS	THIRD ANGLE PROJECTION
15:1	METRIC	
TITLE		
ASSEMBLY 2X2 ARRAY POGO CONNECTOR		
MOLEX INCORPORATED		
SHEET NO.		1 OF 1
THIS DRAWING CONTAINS INFORMATION THAT IS PROPRIETARY TO MOLEX INCORPORATED AND SHOULD NOT BE USED WITHOUT WRITTEN PERMISSION		

9 8 7 6 5 4 3 2 1