

PLEASE CHECK WWW.MOLEX.COM FOR LATEST PART INFORMATION

Part Number: [0436450300](#)
Status: **Active**
Overview: [microfit_30](#)
Description: 3.00mm (.118") Pitch Micro-Fit 3.0™ Receptacle Housing, Single Row, 3 Circuits

Documents:

[3D Model](#) [Product Specification PS-43650 \(PDF\)](#)
[Drawing \(PDF\)](#) [RoHS Certificate of Compliance \(PDF\)](#)

Agency Certification

CSA	LR19980
TUV	R72081037
UL	E29179

General

Product Family	Crimp Housings
Series	43645
Comments	Glow Wire Equivalent Part Number 436450308
MolexKits	Yes
Overview	microfit_30
Product Literature Order No	USA-106
Product Name	Micro-Fit 3.0™

Physical

Circuits (maximum)	3
Color - Resin	Black
Flammability	94V-0
Gender	Female
Glow-Wire Compliant	No
Keying to Mating Part	None
Lock to Mating Part	Yes
Material - Resin	Polyester
Number of Rows	1
Packaging Type	Bag
Panel Mount	No
Pitch - Mating Interface (in)	0.118 In
Pitch - Mating Interface (mm)	3.00 mm
Stackable	No
Temperature Range - Operating	-40°C to +105°C

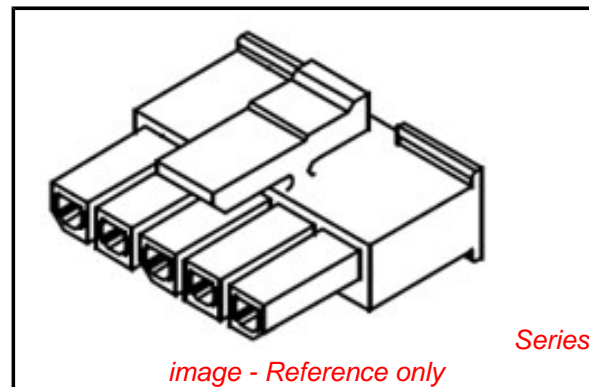
Electrical

Current - Maximum per Contact	5A
-------------------------------	----

Material Info

Reference - Drawing Numbers

Product Specification	PS-43650
Sales Drawing	SDA-43645-****



EU RoHS

ELV and RoHS Compliant
REACH SVHC Contains SVHC: No
Halogen-Free Status
Not Halogen-Free

China RoHS



Need more information on product environmental compliance?

Email productcompliance@molex.com
 For a multiple part number RoHS Certificate of Compliance, [click here](#)

Please visit the [Contact Us](#) section for any non-product compliance questions.

Search Parts in this Series

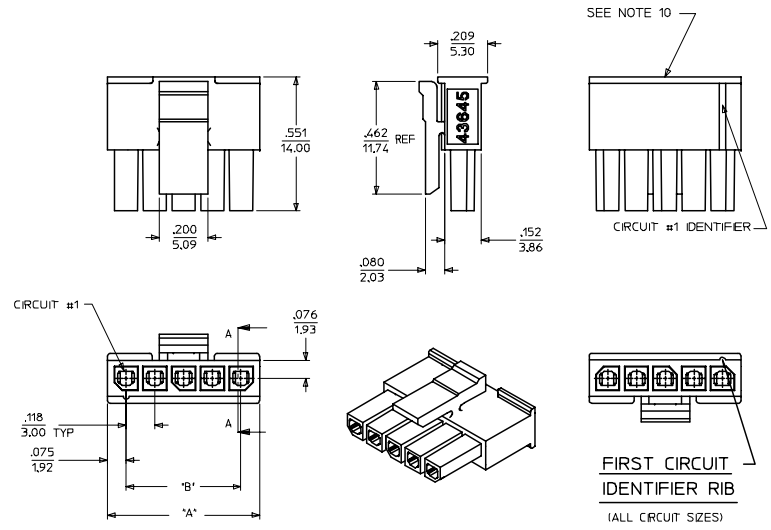
[43645Series](#)

Mates With

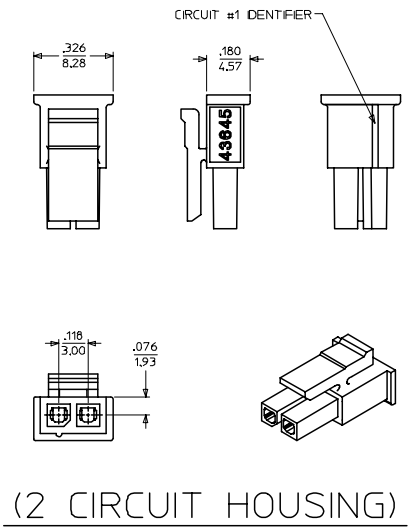
[43640](#) Micro-Fit 3.0™ Plug Housing, [43650](#) Micro-Fit 3.0™ Header

Use With

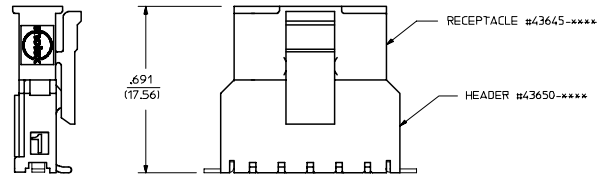
[43030](#) Micro-Fit 3.0™ Crimp Terminal



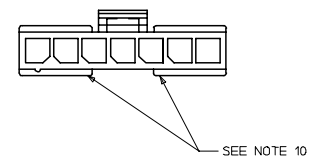
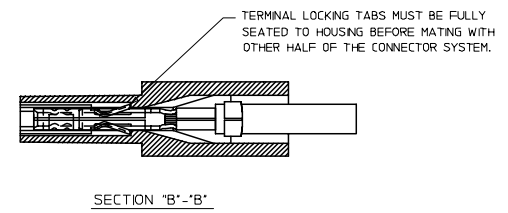
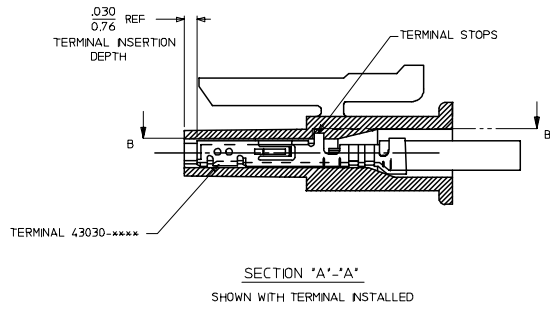
(3-12 CIRCUIT HOUSING)



ITEM NUMBER	NUMBER OF CIRCUIT	DM. "A"	DM. "B"
43645-0200	02	SEE DETAIL	.118/(3.00)
43645-0300	03	.388/(9.85)	.236/(6.00)
43645-0400	04	.506/(12.85)	.354/(9.00)
43645-0500	05	.624/(15.85)	.472/(12.00)
43645-0600	06	.742/(18.85)	.591/(15.00)
43645-0700	07	.860/(21.85)	.709/(18.00)
43645-0800	08	.978/(24.85)	.827/(21.00)
43645-0900	09	1.096/(27.85)	.945/(24.00)
43645-1000	10	1.215/(30.85)	1.063/(27.00)
43645-1100	11	1.333/(33.85)	1.181/(30.00)
43645-1200	12	1.451/(36.85)	1.299/(33.00)



MATED MICRO-FIT CONNECTOR



- NOTES:**
- MATERIAL : POLYESTER (PBT), UL94V-0, COLOR - BLACK
 - FINISH : N/A
 - PRODUCT SPECIFICATION : PS-43650
 - THIS RECEPTACLE ACCEPTS MOLEX MICRO FIT FEMALE CRIMP TERMINALS ONLY. SEE MOLEX DRAWING SD-43030-XXXX FOR SPECIFICATIONS.
 - SEE SECTION "A"- "A" FOR TERMINAL ORIENTATION IN HOUSING.
 - FOR OVERMOLDING PARAMETERS SEE ENGINEERING SPECIFICATION #SDES-43025-1000.
 - THIS RECEPTACLE MATES WITH MOLEX PCB HEADER 43650 SERIES AND MOLEX PLUG 43640 SERIES (WIRE TO WIRE APPLICATIONS).
 - SOME HOUSINGS MAY HAVE A SMALL GATE BLEMISH NEAR THE GATE LOCATION THAT DOES NOT AFFECT FUNCTIONALITY.
 - MOLEX RECOMMENDS THE USE OF MICRO-FIT TEST PLUG, SERIES 44242-XXXX WHENEVER CONTINUITY TESTING IS PERFORMED. TEST PLUGS MUST NOT BE USED TO MAKE OR BREAK UNDER LOAD. MOLEX DOES NOT RECOMMEND USING STANDARD MATING COMPONENTS FOR HARNESS TESTING PURPOSES.
 - THIS RIB IS DISCONTINUOUS ON CIRCUIT SIZES 7 THROUGH 12
 - PART CONFORMS TO CLASS 'B' REQUIREMENTS OF COSMETIC SPECIFICATION PS-45499-002.

UPDATE NOTE 8 DEC NO: UCP2008-0920 DRAWN BY: JPPER 2007/10/23 CHKD:SSUSEK 2007/10/26 APPR:SMITH 2007/10/29	QUALITY SYMBOLS ▽=0 ▽=0	GENERAL TOLERANCES (UNLESS SPECIFIED) <table border="1"> <tr> <th></th> <th>MM</th> <th>INCH</th> </tr> <tr> <td>4 PLACES ±</td> <td>±</td> <td>±</td> </tr> <tr> <td>3 PLACES ±</td> <td>±.010</td> <td>±.014</td> </tr> <tr> <td>2 PLACES ±</td> <td>±.025</td> <td>±.035</td> </tr> <tr> <td>1 PLACE ±</td> <td>±.035</td> <td>±.045</td> </tr> <tr> <td colspan="3">ANGULAR ±1/2°</td> </tr> </table>		MM	INCH	4 PLACES ±	±	±	3 PLACES ±	±.010	±.014	2 PLACES ±	±.025	±.035	1 PLACE ±	±.035	±.045	ANGULAR ±1/2°			DIMENSION STYLE IN/MM	SCALE 4:1	DESIGN UNITS METRIC	THIRD ANGLE PROJECTION
		MM	INCH																					
	4 PLACES ±	±	±																					
	3 PLACES ±	±.010	±.014																					
2 PLACES ±	±.025	±.035																						
1 PLACE ±	±.035	±.045																						
ANGULAR ±1/2°																								
DRAWN BY: A.F.G. DATE: 1995/11/15 CHECKED BY: B.A.P. DATE: 1995/11/15 APPROVED BY: R.J.F. DATE: 1995/11/15	TITLE MICRO-FIT (3.0) 2 THRU 12 SINGLE ROW RECEPTACLE		MOLEX INCORPORATED																					
MATERIAL NO. SDA-43645-XXXX	DRAFT WHERE APPLICABLE MUST REMAIN WITHIN DIMENSIONS		SEE CHART	DOCUMENT NO. SDA-43645-XXXX																				
SHEET NO. 1 OF 1	THIS DRAWING CONTAINS INFORMATION THAT IS PROPRIETARY TO MOLEX INCORPORATED AND SHOULD NOT BE USED WITHOUT WRITTEN PERMISSION																							