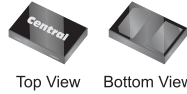


**CFSH2-4L**  
**SURFACE MOUNT**  
**SILICON SCHOTTKY DIODE**



[www.centrasemi.com](http://www.centrasemi.com)

**TLP**™  
Tiny  
Leadless  
Package



Top View    Bottom View  
**SOD-882L CASE**

**DESCRIPTION:**

The CENTRAL SEMICONDUCTOR CFSH2-4L is a high quality Schottky Diode designed for applications where ultra small size and power dissipation are prime requirements. Packaged in a Tiny Leadless Package™ (TLP™), this component provides performance characteristics suitable for the most demanding size constrained applications.

**MARKING CODE: N**

**APPLICATIONS:**

- DC / DC Converters
- Voltage Clamping
- Protection Circuits
- Battery powered devices including Cell Phones, Digital Cameras, Pagers, PDAs, Laptop Computers, etc.

**MAXIMUM RATINGS:** (T<sub>A</sub>=25°C)

Peak Repetitive Reverse Voltage  
Average Forward Current  
Peak Forward Surge Current, tp=8.3ms  
Power Dissipation  
Operating Junction Temperature  
Storage Temperature  
Thermal Resistance

**FEATURES:**

- Device is **Halogen Free** by design
- Current (I<sub>O</sub>=200mA)
- Low Forward Voltage Drop (V<sub>F</sub>=0.53V TYP @ 200mA)
- Low Reverse Current (350nA TYP @ 40V)
- Small TLP™, 1mm x 0.6mm x 0.4mm, ultra low profile, Leadless Surface Mount package.

SYMBOL		UNITS
V <sub>RRM</sub>	40	V
I <sub>O</sub>	200	mA
I <sub>FSM</sub>	1.0	A
P <sub>D</sub>	100	mW
T <sub>J</sub>	-65 to +125	°C
T <sub>stg</sub>	-65 to +150	°C
θ <sub>JA</sub>	1000	°C/W

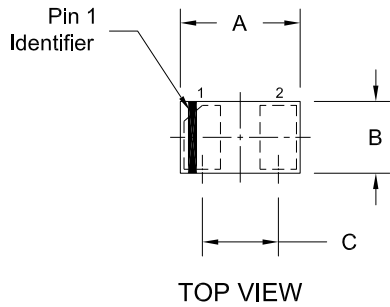
**ELECTRICAL CHARACTERISTICS:** (T<sub>A</sub>=25°C unless otherwise noted)

SYMBOL	TEST CONDITIONS	MIN	TYP	MAX	UNITS
I <sub>R</sub>	V <sub>R</sub> =10V		0.08	1.0	μA
I <sub>R</sub>	V <sub>R</sub> =40V		0.35	2.0	μA
BV <sub>R</sub>	I <sub>R</sub> =10μA	40			V
V <sub>F</sub>	I <sub>F</sub> =10mA		0.33	0.45	V
V <sub>F</sub>	I <sub>F</sub> =100mA			0.52	V
V <sub>F</sub>	I <sub>F</sub> =200mA		0.53	0.60	V
C <sub>T</sub>	V <sub>R</sub> =4.0V, f=1.0MHz		7.0	10	pF
t <sub>rr</sub>	I <sub>F</sub> =I <sub>R</sub> =10mA, I <sub>rr</sub> =1.0mA, R <sub>L</sub> =100Ω		5.0		ns

**CFSH2-4L**  
**SURFACE MOUNT**  
**SILICON SCHOTTKY DIODE**

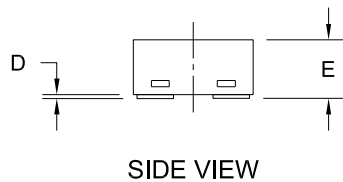


**SOD-882L CASE - MECHANICAL OUTLINE**



<b>DIMENSIONS</b>				
SYMBOL	INCHES		MILLIMETERS	
	MIN	MAX	MIN	MAX
A	0.037	0.041	0.95	1.05
B	0.022	0.026	0.55	0.65
C	0.026		0.65	
D	0.000	0.002	0.00	0.05
E	0.012	0.016	0.30	0.40
F	0.018	0.022	0.45	0.55
G	0.008	0.012	0.20	0.30

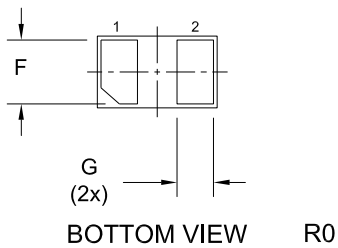
SOD-882L (REV:R0)



**LEAD CODE:**

- 1) Cathode
- 2) Anode

**MARKING CODE: N**



R3 (10-December 2010)