

PLEASE CHECK WWW.MOLEX.COM FOR LATEST PART INFORMATION

Part Number: [0351290200](#)
Status: **Active**
Description: 1.85mm (.070") Tab Wire-to-Wire TPA™, 6.00mm, (.231") Pitch 2 Circuits

Documents:

[Drawing \(PDF\)](#) [RoHS Certificate of Compliance \(PDF\)](#)
[Product Specification PS-35127-001 \(PDF\)](#)

Agency Certification

CSA LR19980
TUV R72081037

General

Product Family Accessories
Series [35129](#)
Component Type Retainer
Product Name N/A

Physical

Circuits (Loaded) 2
Color - Resin Natural
Flammability 94V-0
Gender Male
Lock to Mating Part Yes
Material - Resin Polyester
Number of Rows 1
Packaging Type Bag
Temperature Range - Operating -40°C to +120°C

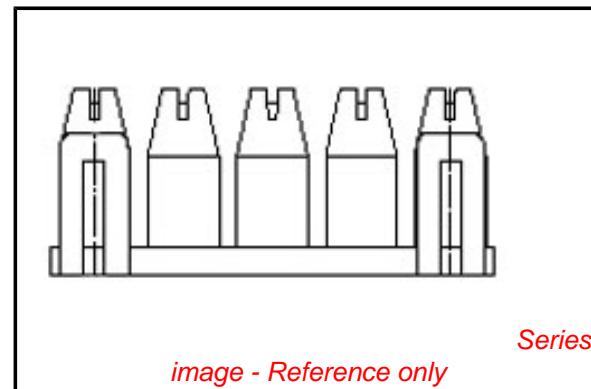
Electrical

Current - Maximum per Contact 15A

Material Info

Reference - Drawing Numbers

Product Specification PS-35127-001
Sales Drawing SD-35129-001



EU RoHS

**ELV and RoHS
Compliant**
REACH SVHC
Not Reviewed
**Halogen-Free
Status**
Not Reviewed

China RoHS



**Need more information on product
environmental compliance?**

Email productcompliance@molex.com
For a multiple part number RoHS Certificate of
Compliance, [click here](#)

Please visit the [Contact Us](#) section for any
non-product compliance questions.

Search Parts in this Series

[35129Series](#)

Use With

35127 Pitch Wire-to-Wire Male Housing.
35128 Wire-to-Wire Female Housing

DO NOT SCALE DRAWING DIMENSION IN METRIC

DWG. NO. SD-35129-001

SIMILAR ITEM

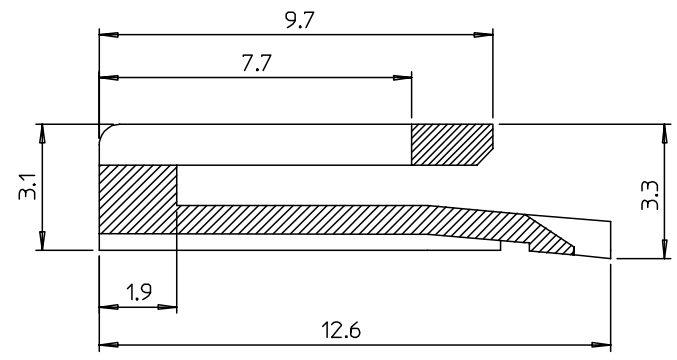
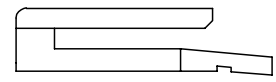
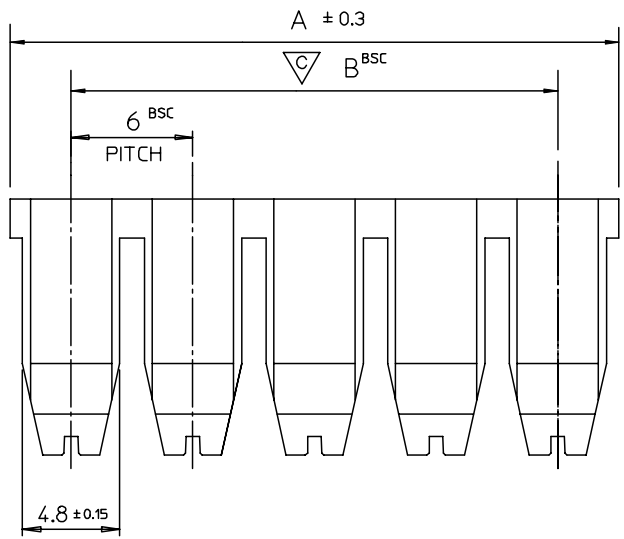
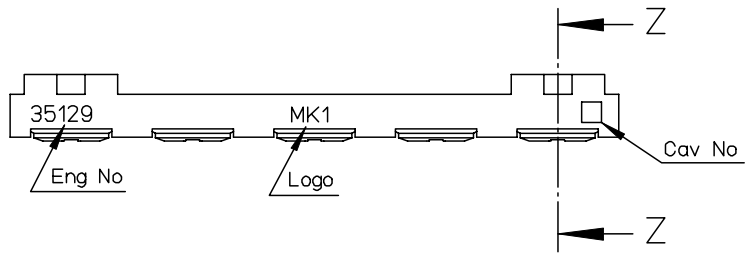
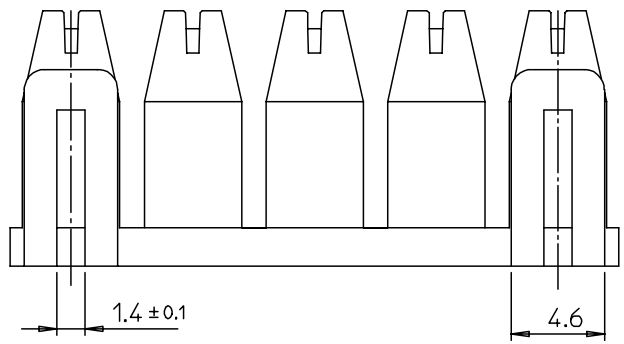
PROJECT NO.

C

B

REV

8 7 6 5 4 3 2 1



NOTES

1. MATERIALS: POLYESTER(PBT), UL94V-0, COLOR: NATURAL(WHITE)
2. DRAFT TO BE 0°30' UNLESS SPECIFIED.
3. WARPING TO BE 0.20 MAX.
4. PERMISSIBLE FLASH: 0.10MAX.
5. MATED HOUSING : 35127-****
35128-****
6. PRODUCT SPECIFICATION : PS35129

24	30	351290500	35129-0500	5
18	24	351290400	35129-0400	4
12	18	351290300	35129-0300	3
6	12	351290200	35129-0200	2
B	A	MAT'L NO	ENG NO	CIRCUITS

SECTION Z-Z

REVISED ECN NO. KOR2003-0140 DRWN: H.S.SHIN 02.12.17 CHK: J.K.OH APPR: C.W.LEE	DESCRIPTION REV	QUALITY SYMBOLS MAJOR = CRITICAL C = 1	GENERAL TOLERANCES: (UNLESS SPECIFIED)	SCALE 4:1	DESIGN UNITS <input checked="" type="checkbox"/> mm <input type="checkbox"/> INCH	DIMENSIONS: <input type="checkbox"/> mm <input type="checkbox"/> INCH <input checked="" type="checkbox"/> mm ONLY	SHT REV	REVISE ON CAD ONLY	
		4 PLACES ±0.1 3 PLACES ±0.1 2 PLACES ±0.1 1 PLACE ±0.2	ANGULAR: ± 1°	DRAFT WHERE APPLICABLE MUST REMAIN WITHIN DIMENSIONS	THIS DRAWING CONTAINS INFORMATION THAT IS PROPRIETARY TO MOLEX INCORPORATED AND SHOULD NOT BE USED WITHOUT WRITTEN PERMISSION.	DRAWN BY & DATE Y.J.KIM 92.01.29	CHECKED BY & DATE Y.J.KIM 92.01.29	APPROVED BY & DATE C.W.LEE 92.01.29	TITLE: 6.0 PITCH W-t-W TPA
C									
CAD FILENAME SD35129A_C.MI						MATERIAL NO. SEE TABLE	DRAWING NO. SD-35129-001	SHEET NO. 1 of 1	
								KOREA	MX-A3

8 7 6 5 4 3 2 1

F
E
D
C
B
A