

Features

- 3:1 Impedance Ratio
- Surface Mount
- Tape and reel packaging available
- 260°C Reflow Compatible
- RoHS* compliant

Description

M/A-COM's MABA-009484-ETC31T is a RoHS Compliant 3:1 RF flux coupled transformer in a low cost, surface mount package. Typical applications include single to balanced mode conversion.

The MABA-009484-ETC31T is available in a SM-22 surface mount package and is designed to be utilized in both RoHS and standard reflow profiles. Parts are packaged in tape & reel.

Product Image



Ordering Information

Part Number	Package
MABA-009484-ETC31T	Tape and Reel (2000 piece Reel)

Electrical Specifications: $T_A = 25^\circ\text{C}$, $Z_0 = 50\Omega$

Parameter	Test Conditions	Frequency	Units	Min	Typ	Max
RF Frequency	—	2 - 500	MHz	—	—	—
Insertion Loss	—	2 - 500	dB	—	0.7	2
		5-300	dB	—	0.6	1
Amplitude Imbalance	—	2 - 500	dB	—	0.3	1
Phase Imbalance	—	2 - 500	Degrees	—	—	1
Input Return Loss	—	2 - 400	dB	20	27	30
		400-500	dB	16	18	25

Pin Configuration

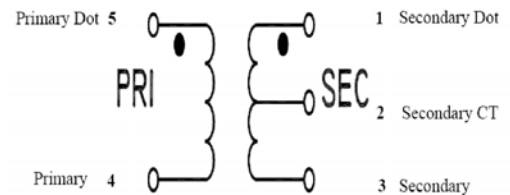
Pin No.	Function
1	Secondary Dot
2	Secondary CT
3	Secondary
4	Primary
5	Primary Dot

Absolute Maximum Ratings

Parameter	Absolute Maximum
RF Power	250 mW
DC Current	240 mA ²
Operating Temperature	-40°C to +85°C
Storage Temperature	-55°C to +125°C

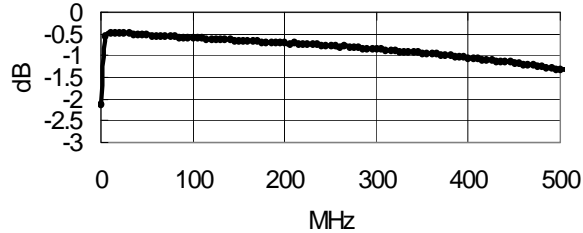
1. Exceeding any one or combination of these limits may cause permanent damage to this device.
2. M/A-COM does not recommend sustained operation near these survivability limits.

Schematic

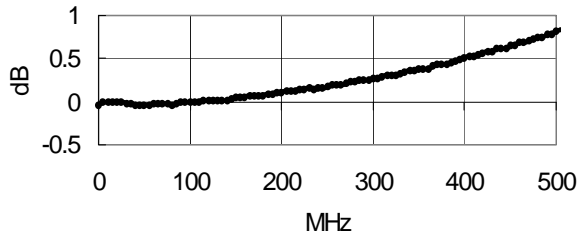


Typical Performance Curves at +25°C

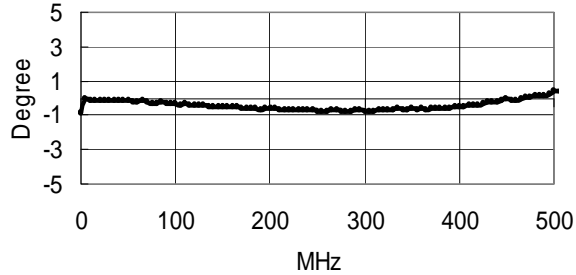
Insertion Loss



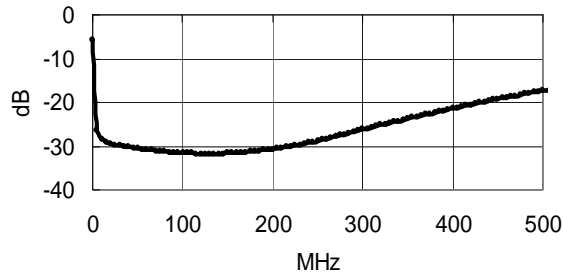
Amplitude Balance



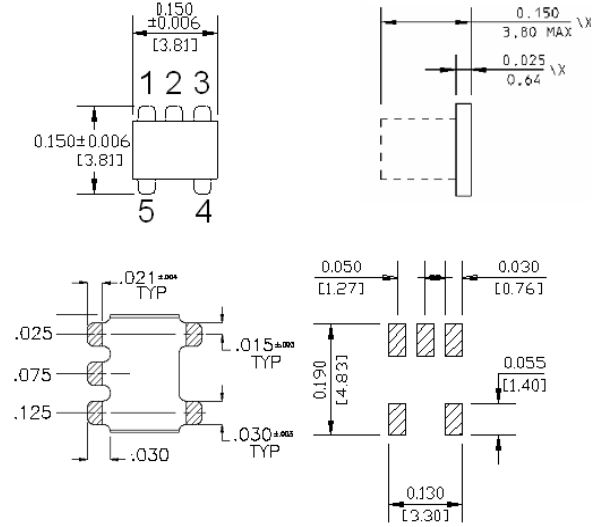
Phase Balance



Input Return Loss



SM – 22 Package



* Dimensions are inches (millimeters) ± 0.015 (0.38) unless otherwise specified.