

PLEASE CHECK WWW.MOLEX.COM FOR LATEST PART INFORMATION

Part Number: [0014445417](#)
Status: **Active**
Overview: [cgrid_sl_products](#)
Description: 2.54mm (.100") Pitch SL™ Insulation Displacement Connector Assembly, Male, Single Row, Version D, Back Ribs, for Wire Size 22, 0.76µm (30µ") Gold (Au), 17 Circuits

Documents:

[3D Model](#) [Product Specification PS-70400 \(PDF\)](#)
[Drawing \(PDF\)](#) [RoHS Certificate of Compliance \(PDF\)](#)

Agency Certification

CSA LR19980
 UL E29179

General

Product Family Ribbon Cable / Wire Trap Connectors
 Series [70475](#)
 Comments Terminals Preloaded
 Component Type Housing
 Glow-Wire Compliant No
 Overview [cgrid_sl_products](#)
 Product Name SL™

Physical

Circuits (Loaded) 17
 Durability (mating cycles max) 50
 Entry Angle Vertical
 Flammability 94V-0
 Lock to Mating Part None
 Number of Rows 1
 PCB Retention None
 Packaging Type Tube
 Pitch - Mating Interface (in) 0.100 In
 Pitch - Mating Interface (mm) 2.54 mm
 Polarized to Mating Part No
 Stackable Yes
 Surface Mount Compatible (SMC) N/A
 Temperature Range - Operating -40°C to +105°C
 Wire Insulation Diameter 1.35mm (.053") max.
 Wire Size AWG 22
 Wire/Cable Type Discrete Wire, Ribbon Cable

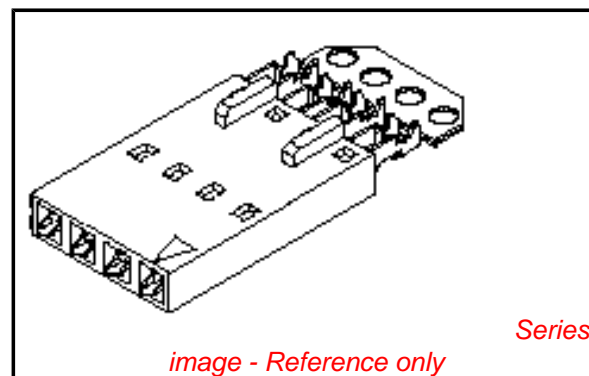
Electrical

Current - Maximum per Contact 3A
 Voltage - Maximum 250V

Material Info

Reference - Drawing Numbers

Product Specification PS-70400



EU RoHS **China RoHS**

Compliance Status

Not Reviewed

REACH SVHC

Not Reviewed

Halogen-Free

Status

Not Reviewed

Need more information on product environmental compliance?

Email productcompliance@molex.com
 For a multiple part number RoHS Certificate of Compliance, [click here](#)

Please visit the [Contact Us](#) section for any non-product compliance questions.

Search Parts in this Series

[70475Series](#)

Mates With

[70004](#) Interim Clip (Single Row), [70013](#) Interim Clip (Dual Row)

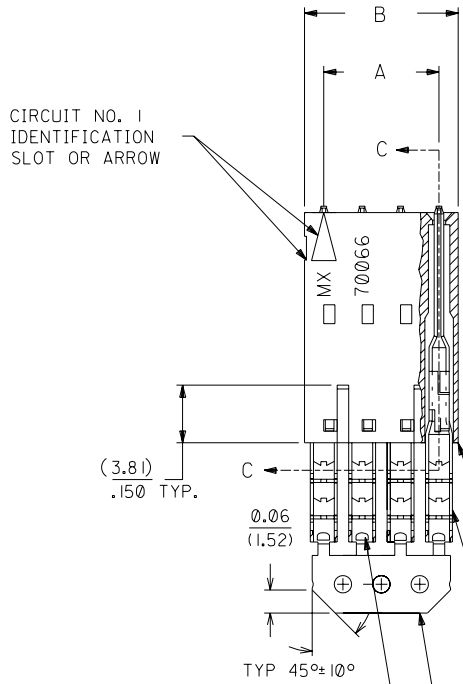
Use With

[7307](#) Tinned 28AWG, [7767](#) Topcoat 28AWG, [24241](#) Tinned 26AWG, [8996](#) Topcoat 26AWG, [24226](#) Tinned 24AWG, [8997](#) Topcoat 24AWG, [24369](#) High Flex 26AWG, [24389](#) High Flex 24AWG

OPTION D

NOTES:

- 1) TO BE USED WITH (22) AWG. STRANDED WIRE WITH (1.35)/.053 DIA. MAX. INSULATION.
- 2) SEE CHART FOR CIRCUIT SIZES.
- 3) STANDARD PACKAGING PER PK-70873-0001. OPTIONAL PACKAGING MAY BE AVAILABLE, REQUEST DWG. PK-70475.
- 4) PARTS STACKABLE END TO END ON (2.54)/.100 CENTERS.
- 5) REFER TO PRODUCT SPECIFICATION: PS-70475.
- 6) SEE DWG. SDA-70475-***** (SHT.3) FOR OPTIONAL HOUSING DETAILS.
- 7) 4 CIRCUIT SHOWN. 3 - 25 CKT'S. HAVE (2) RIBS.
- 8) TO MATE WITH MOLEX PART NO'S.: 70018-****, 70022-****, 70104-****.
- 9) 2 CIRCUIT ASSEMBLIES SUPPLIED AS GROUPED PAIRS.



I.D. SLOT CODE TO WIRE GAUGE CHART	
I.D. SLOT CODE	WIRE GAUGE
D	22 AWG.

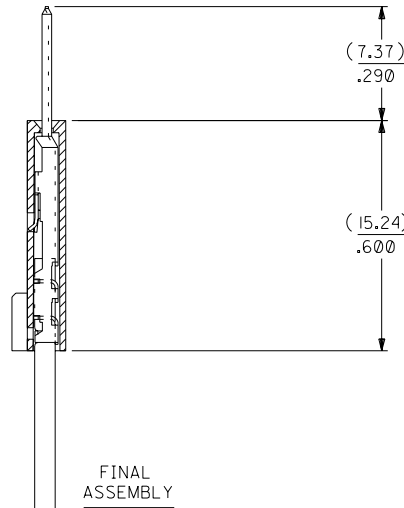
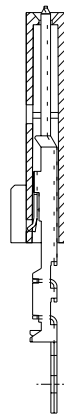
PLATING CODE (STRIPE ON CARRIER STRIP)	
PLATING	COLOR
30 GOLD	RED

30 GOLD - .000030 MINIMUM GOLD IN SELECT AREA WITH .000075 MINIMUM TIN IN SELECT AREA OVER .000050 MINIMUM NICKEL OVER-ALL.

*THE PRIMARY SHIPPING CARTON WILL BE LABELED "COMPLIANT TO RoHS DIRECTIVE 2002/95/EC AND ELV ANNEX II OF DIRECTIVE 2000/53/EC". CARTONS WITHOUT THIS LABEL MAY CONTAIN PRODUCT WITH LEAD.



SECTION C-C



HOUSING PART NO. 70066-****
MATERIAL: G.F. POLYESTER, 94V-0

TERMINAL PART NO. 70110-****
MATERIAL: PHOSPHOR BRONZE
PLATING PER ES-88-***

WIRE (SEE NOTE 1)

CKT. SIZE	A	B	EDP. NO.	ENG. NO.
2	(2.54) .100	(5.05) .199	14-44-5402	A-70475-2521
3	(5.08) .200	(7.59) .299	14-44-5403	A-70475-2522
4	(7.62) .300	(10.13) .399	14-44-5404	A-70475-2523
5	(10.16) .400	(12.67) .499	14-44-5405	A-70475-2524
6	(12.70) .500	(15.21) .599	14-44-5406	A-70475-2525
7	(15.24) .600	(17.75) .699	14-44-5407	A-70475-2526
8	(17.78) .700	(20.29) .799	14-44-5408	A-70475-2527
9	(20.32) .800	(22.83) .899	14-44-5409	A-70475-2528
10	(22.86) .900	(25.37) .999	14-44-5410	A-70475-2529
11	(25.54) 1.000	(27.91) 1.099	14-44-5411	A-70475-2530
12	(27.94) 1.100	(30.45) 1.199	14-44-5412	A-70475-2531
13	(30.48) 1.200	(32.99) 1.299	14-44-5413	A-70475-2532
14	(33.02) 1.300	(35.53) 1.399	14-44-5414	A-70475-2533
15	(35.56) 1.400	(38.07) 1.499	14-44-5415	A-70475-2534
16	(38.01) 1.500	(40.61) 1.599	14-44-5416	A-70475-2535
17	(40.64) 1.600	(43.15) 1.699	14-44-5417	A-70475-2536
18	(43.18) 1.700	(45.69) 1.799	14-44-5418	A-70475-2537
19	(45.72) 1.800	(48.23) 1.899	14-44-5419	A-70475-2538
20	(48.26) 1.900	(50.77) 1.999	14-44-5420	A-70475-2539
21	(50.80) 2.000	(53.31) 2.099	14-44-5421	A-70475-2540
22	(53.34) 2.100	(55.85) 2.199	14-44-5422	A-70475-2541
23	(55.88) 2.200	(58.39) 2.299	14-44-5423	A-70475-2542
24	(58.42) 2.300	(60.93) 2.399	14-44-5424	A-70475-2543
25	(60.96) 2.400	(63.47) 2.499	14-44-5425	A-70475-2544

REV.	DATE	BY	CHK'D.	SCALE
C				
D				
CI				
LTR.	REVISIONS	LTR.	REVISIONS	

DRWG. BY	APP'D. BY	CHK'D. BY	SCALE
AAB	WAZ		4 : 1

DIMENSIONS SHOWN (METRIC) INCH		UNLESS OTHERWISE SPECIFIED TOLERANCES: ANGULAR ± 1/2°	
3 PLACE	± .010	INCH	METRIC
2 PLACE	± .014	± 0.25	
1 PLACE	---	± 0.35	

DRAFT WHERE APPLICABLE MUST REMAIN WITHIN DIMENSIONS
 THIS DRAWING CONTAINS INFORMATION THAT IS PROPRIETARY TO MOLEX INC. AND SHOULD NOT BE USED WITHOUT WRITTEN PERMISSION.

MFG. SH. REV. TITLE ASSEMBLY, SL CONNECTOR (SINGLE ROW- (2.54)/.100 GRID)	REVISE ONLY ON CAD SYSTEM SHEET NO. I DATE 11/30/87
PART NO. SDA-70475-2521-2544 FILE NAME 74152521.DWG	MOLEX INCORPORATED LISLE, ILL. 60532 U.S.A. SHEET NO. I DATE 11/30/87