

PLEASE CHECK WWW.MOLEX.COM FOR LATEST PART INFORMATION

Part Number: [0351510410](#)
Status: **Active**
Overview: [versablade](#)
Description: 6.20mm (.244") Pitch Wire-to-Wire VersaBlade™ Hybrid Receptacle Housing, 4 Circuits, Polyester UL94V-0, Natural

Documents:

[3D Model](#) [Product Specification PS-35524-001 \(PDF\)](#)
[Drawing \(PDF\)](#) [RoHS Certificate of Compliance \(PDF\)](#)

Agency Certification

CSA	LR19980
TUV	R72090206
UL	E29179

General

Product Family	Crimp Housings
Series	35151
Comments	Polarized to Mating Part, Positive Lock
Overview	versablade
Product Name	VersaBlade™

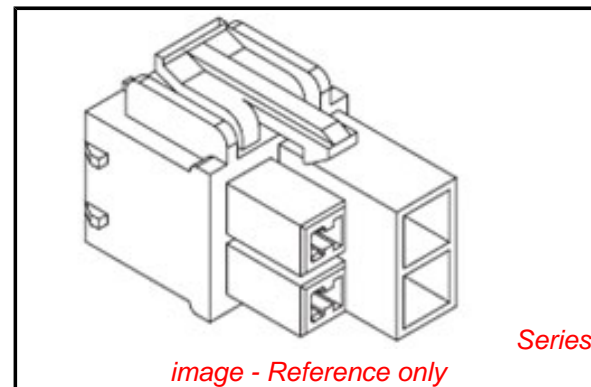
Physical

Circuits (maximum)	4
Color - Resin	Natural
Flammability	94V-0
Gender	Female
Glow-Wire Compliant	No
Keying to Mating Part	None
Lock to Mating Part	Yes
Material - Resin	Polyester
Number of Rows	2
Packaging Type	Bag
Panel Mount	No
Pitch - Mating Interface (in)	0.350 In
Pitch - Mating Interface (mm)	8.90 mm
Polarized to Mating Part	Yes
Stackable	No
Temperature Range - Operating	-40°C to +120°C

Material Info

Reference - Drawing Numbers

Product Specification	PS-35524-001
Sales Drawing	SD-35151-0410



EU RoHS

ELV and RoHS Compliant
REACH SVHC
 Not Reviewed
Halogen-Free Status
Not Reviewed

China RoHS



Need more information on product environmental compliance?

Email productcompliance@molex.com
 For a multiple part number RoHS Certificate of Compliance, [click here](#)

Please visit the [Contact Us](#) section for any non-product compliance questions.

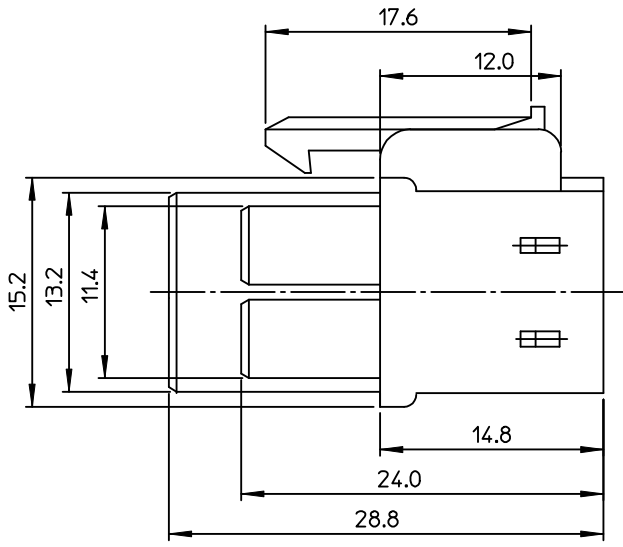
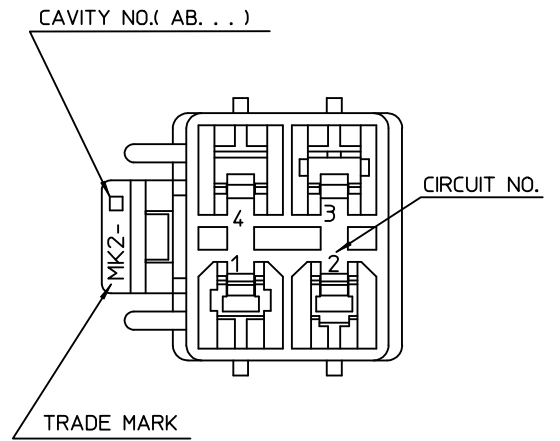
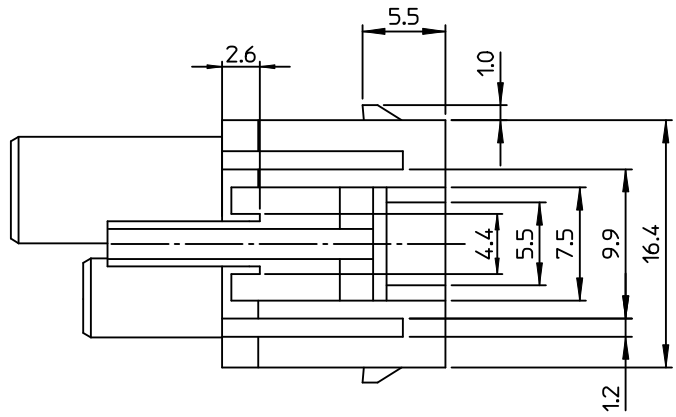
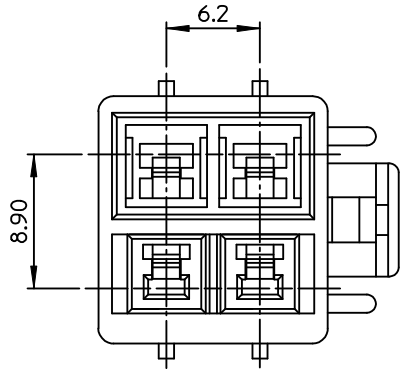
Search Parts in this Series

[35151Series](#)

Mates With

Use With

VersaBlade™ Crimp Terminals, [35745](#) , [35746](#) , [35747](#)



NOTES

1. MATERIAL : SEE TABLE

N	PRODUCT		MATERIAL	
	PART NO	MATERIAL NO	COLOR	DESCRIPTION
1	35151-0410	351510410	NATURAL	PBT UL94V-0
2	35151-0412	351510412	RED	
3	35151-0413	351510413	YELLOW	
4	35151-0414	351510414	BLUE	
5	35151-0419	351510419	⊕NATURAL	PC/PET UL94V-0
6	35151-3419	351513419	YELLOW	
7	35151-4419	351514419	BLUE	

2. MATED HOUSING : 35150-040*/041*

3 . APPLICATION TERMINAL : 35745 - **** (3CKT)
 35746 - **** (1CKT)
 35747 - **** (4CKT)
 35748 - **** (2CKT)

4. APPLICABLE T.P.A : 35150 - 0290

REVISED	DESCRIPTION
EC NO: KOR2010-0068	
DRWN: JHPARK01 2009/10/19	
CHKD: WY YANG 2009/10/20	
APPR: YUNSIKKIM 2009/10/21	
REV	

QUALITY SYMBOLS	GENERAL TOLERANCES (UNLESS SPECIFIED)
▽=0	
▽=0	
	mm INCH
	4 PLACES ± --- ± ---
	3 PLACES ± --- ± ---
	2 PLACES ± --- ± ---
	1 PLACE ± 0.3 ± ---
	ANGULAR ± 1 °
	DRAFT WHERE APPLICABLE MUST REMAIN WITHIN DIMENSIONS

DIMENSION STYLE		SCALE	DESIGN UNITS	THIRD ANGLE PROJECTION
MM ONLY		3:1	METRIC	
DRAWN BY	DATE	TITLE		
SK.HAN	2008/01/08	6.2 PITCH W/W FEMALE HSG-4P		
CHECKED BY	DATE			
WY.YANG	2008/01/08			
APPROVED BY	DATE			
EH.JUNG	2008/01/08			
MATERIAL NO.	DOCUMENT NO.	SHEET NO.		
SEE TABLE	SD-35151-0410	1 OF 01		

MOLEX INCORPORATED	
THIS DRAWING CONTAINS INFORMATION THAT IS PROPRIETARY TO MOLEX INCORPORATED AND SHOULD NOT BE USED WITHOUT WRITTEN PERMISSION	