

PLEASE CHECK WWW.MOLEX.COM FOR LATEST PART INFORMATION

Part Number: [0482009260](#)
Status: **Active**
Overview:
Description: 1.27mm (.050") Pitch Compact PCI Slot, Board-to-Board Edge Card Connector, Vertical, Double-Sided, Dual Read-Out, White, with Metal Peg, Gold (Au) Flash, Voltage 3.3V, 184 Circuits, Lead Free

General

Product Family	Edge Card Connectors
Series	48200
Comments	3V Card Configuration
Component Type	Edgecard to PCB
Overview	edge_card_connectors
Product Name	Edge Card

Physical

Circuits (Loaded)	184
Circuits (maximum)	184
Circuits Detail	All Signal
Durability (mating cycles max)	50
Entry Angle	Vertical (Top Entry)
Keying to Mating Part	Yes
Material - Plating Mating	Gold
Material - Plating Termination	Tin
PC Tail Length (in)	0.118 In
PC Tail Length (mm)	3.00 mm
PCB Locator	Yes
PCB Retention	Yes
PCB Thickness Recommended (in)	0.062 In
PCB Thickness Recommended (mm)	1.60 mm
Packaging Type	Tray
Pitch - Mating Interface (in)	0.050 In
Pitch - Mating Interface (mm)	1.27 mm
Polarized to Mating Part	Yes
Temperature Range - Operating	-10°C to +85°C
Termination Interface: Style	Through Hole

Electrical

Current - Maximum per Contact	1A
Voltage - Maximum	30V

Solder Process Data

Lead-free Process Capability	Wave Capable (TH only)
Process Temperature max. C	260

Material Info

Reference - Drawing Numbers

Packaging Specification	PK-48200-001
Product Specification	PS-48200-001
Sales Drawing	SD-48200-001
Test Summary	TS-48200-001

EU RoHS
ELV and RoHS
Compliant
REACH SVHC
 Not Reviewed
Halogen-Free
Status
Not Reviewed

China RoHS



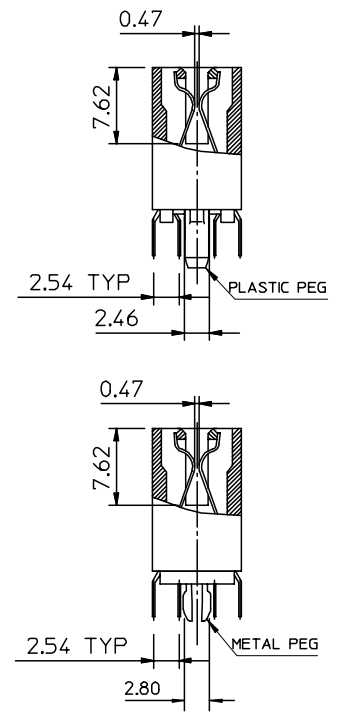
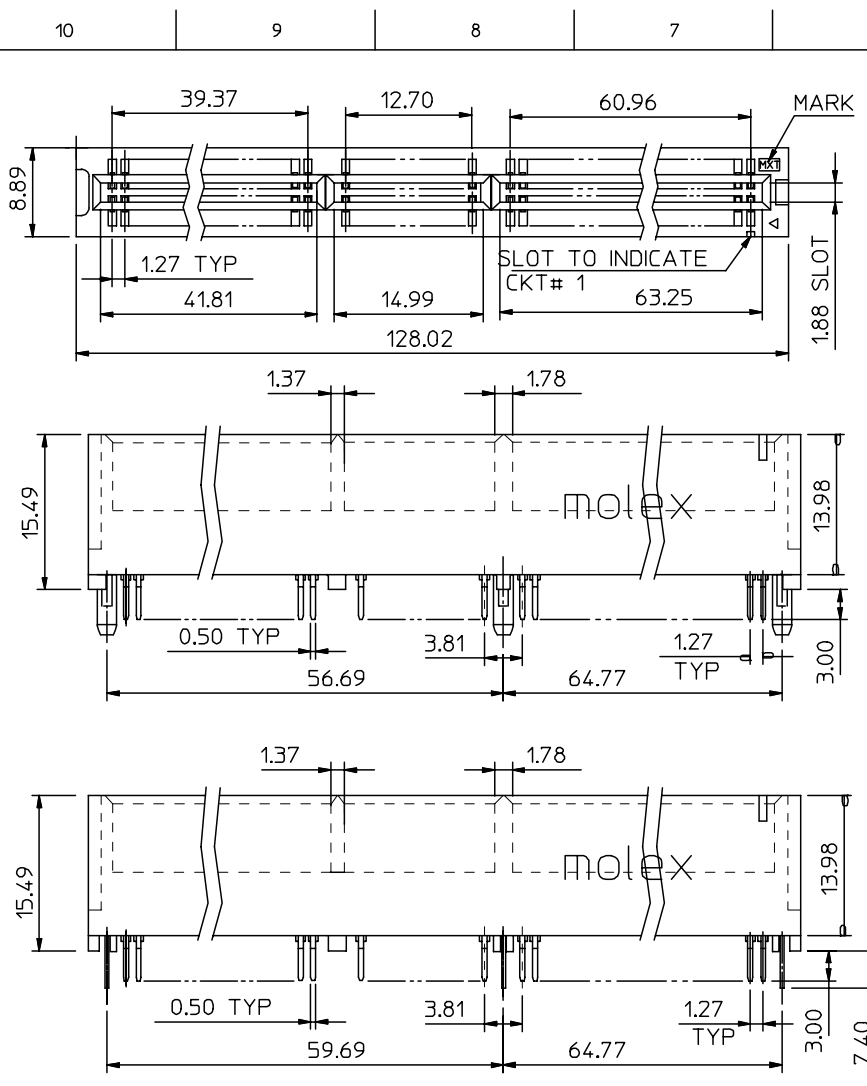
Need more information on product environmental compliance?

Email productcompliance@molex.com
 For a multiple part number RoHS Certificate of Compliance, [click here](#)

Please visit the [Contact Us](#) section for any non-product compliance questions.

Search Parts in this Series
[48200Series](#)

Mates With
 64-bit PCI card



NOTES:

1. MATERIAL:

HOUSING : PPS
 TERMINAL: PHOSPHOR BRONZE



2.FINISH 0 - GOLD FLASH IN CONTACT AREA, 1.52um/60uin MIN. TIN IN SOLDER TAIL, BOTH OVER 0.76um/30uin MIN. NICKEL OVERALL.

- 1 - 0.25um/10uin MIN. GOLD IN CONTACT AREA, 1.52um/60uin MIN. TIN IN SOLDER TAIL, BOTH OVER 0.76um/30uin MIN. NICKEL OVERALL.
- 2 - 0.38um/15uin MIN. GOLD IN CONTACT AREA, 1.52um/60uin MIN. TIN IN SOLDER TAIL, BOTH OVER 0.76um/30uin MIN. NICKEL OVERALL.
- 3 - 0.76um/30uin MIN. GOLD IN CONTACT AREA, 1.52um/60uin MIN. TIN IN SOLDER TAIL, BOTH OVER 0.76um/30uin MIN. NICKEL OVERALL.
- 4 - 0.50um/20uin MIN. GOLD IN CONTACT AREA, 1.52um/60uin MIN. TIN IN SOLDER TAIL, BOTH OVER 0.76um/30uin MIN. NICKEL OVERALL.

- 3. PRODUCT SPECIFICATION REFER TO PS-48200-001.
- 4. PRODUCT SPECIFICATION : PER PS-48200-001
- 5. TEST SUMMARY : PER TS-48200-001
- 6. PACKAGE SPECIFICATION : PK-48200-001
- 7. LEAD FREE AND ROHS COMPLIANT PRODUCT

PART NO. LEGEND : 48200 - 92**

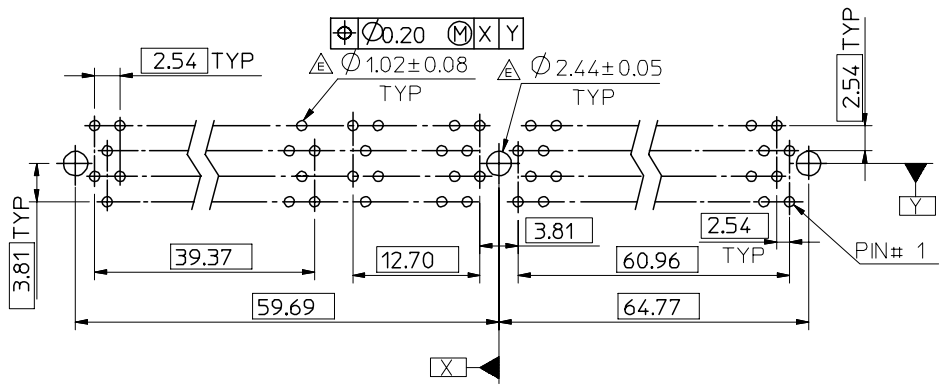
PEG VERSION, COLOR _____ PLATING VERSION (REFER TO NOTES 2)
 0:STANDARD , BROWN , 5V, PLASTIC PEG
 1:STANDARD , WHITE , 5V, PLASTIC PEG
 5:STANDARD , WHITE , 5V, METAL PEG

DRAWING ERROR	EC NO:	2007/03/05	QUALITY SYMBOLS	GENERAL TOLERANCES (UNLESS SPECIFIED)		DIMENSION STYLE		SCALE	DESIGN UNITS	THIRD ANGLE PROJECTION	
	DRWN:ALLIN	2007/03/09		mm	INCH	2:1	METRIC	DRAWN BY DATE		TITLE	
	CHKD:	2007/03/13		4 PLACES ± --- ± ---		MM ONLY		TOM 2005/02/04			
	APPR:WWSCHANG	2007/03/13		3 PLACES ± --- ± ---				CHECKED BY DATE		ASS'Y 1.27MM EDGE CARD CONN 184 CKT (3.3V & 5V)	
REV	DESCRIPTION	2 PLACES ± 0.25 ± ---				ALL IN 2005/02/04					
			▽=0	1 PLACE ± 0.25 ± ---		APPROVED BY DATE		MOLEX MOLEX INCORPORATED		SHEET NO.	
			◻=0	ANGULAR ± 3 °		MATERIAL NO.		DOCUMENT NO.		1 OF 4	
				DRAFT WHERE APPLICABLE MUST REMAIN WITHIN DIMENSIONS		SEE TABLE		SD-48200-001			
THIS DRAWING CONTAINS INFORMATION THAT IS PROPRIETARY TO MOLEX INCORPORATED AND SHOULD NOT BE USED WITHOUT WRITTEN PERMISSION											

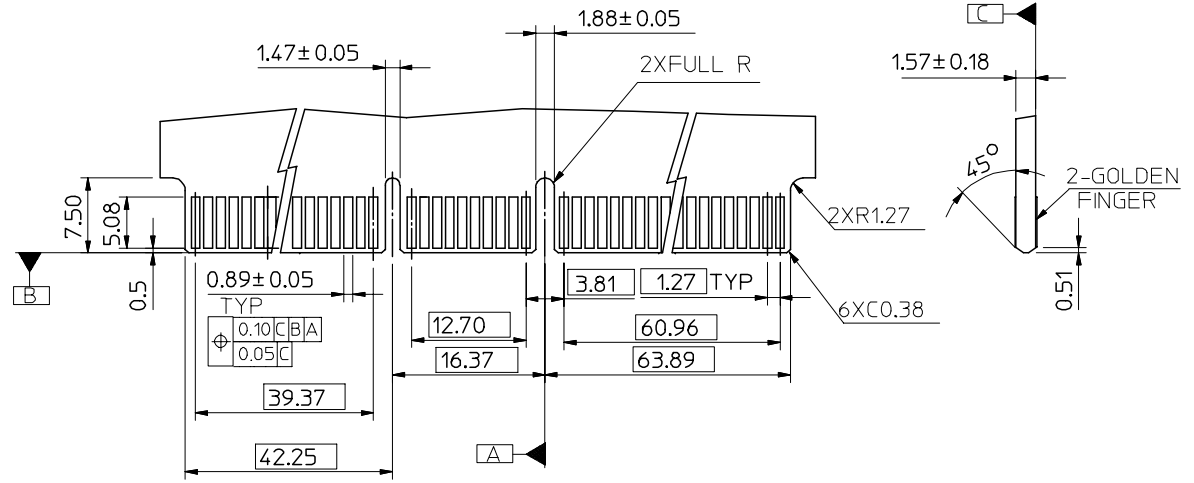
10 9 8 7 6 5 4 3 2 1

F
E
D
C
B
A

F
E
D
C
B
A



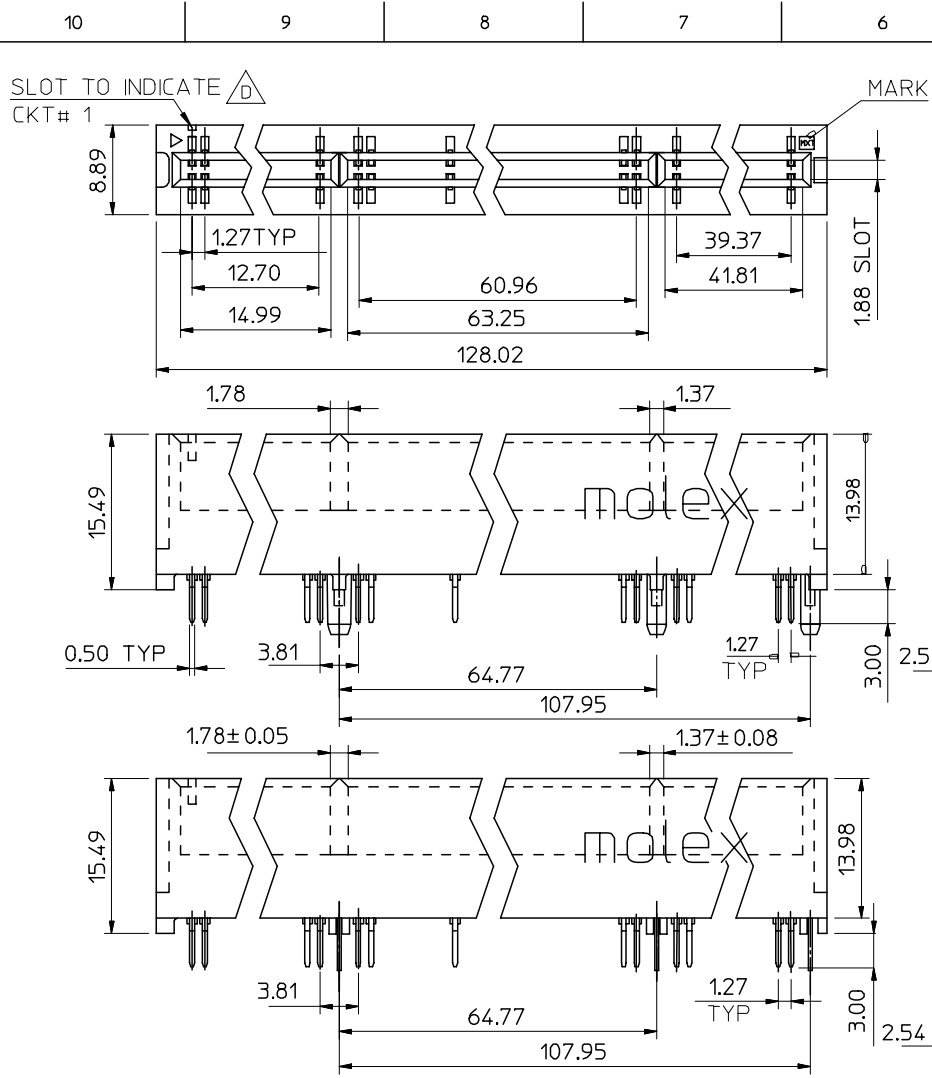
RECOMMENDED P.C. BOARD PATTERN



RECOMMENDED MATING P.C. BOARD EDGE CONFIGURATION

SEE SHEET 1 EC NO: SH2007-0620 DRWN: ALLIN CHKD: APPR: WWSCHANG 2007/03/05 2007/03/09 2007/03/13	QUALITY SYMBOLS	GENERAL TOLERANCES (UNLESS SPECIFIED)	DIMENSION STYLE	SCALE	DESIGN UNITS	THIRD ANGLE PROJECTION
	▽=0 ▽C=0	mm INCH 4 PLACES ± --- ± --- 3 PLACES ± --- ± --- 2 PLACES ± 0.25 ± --- 1 PLACE ± 0.25 ± --- ANGULAR ± 3 °	MM ONLY	2:1	METRIC	
	DESCRIPTION	DRAWN BY	DATE	TITLE		
	REV	TOM	2005/02/04	ASS'Y 1.27MM EDGE CARD CONN 184 CKT (3.3V & 5V)		
	ALL IN	2005/02/04	MOLEX INCORPORATED			
	APPROVED BY	DATE	DOCUMENT NO.			
	WWSCHANG	2005/02/04	SD-48200-001			
	MATERIAL NO.	SEE TABLE		SHEET NO.		
		SIZE A3		2 OF 4		
DRAFT WHERE APPLICABLE MUST REMAIN WITHIN DIMENSIONS THIS DRAWING CONTAINS INFORMATION THAT IS PROPRIETARY TO MOLEX INCORPORATED AND SHOULD NOT BE USED WITHOUT WRITTEN PERMISSION						

9 8 7 6 5 4 3 2 1



NOTES:

1. MATERIAL:

HOUSING : PPS
 TERMINAL: PHOSPHOR BRONZE

- 2.FINISH
- 0 - GOLD FLASH IN CONTACT AREA, 1.52um/60uin MIN. TIN IN SOLDER TAIL, BOTH OVER 0.76um/30uin MIN. NICKEL OVERALL.
 - 1 - 0.25um/10uin MIN. GOLD IN CONTACT AREA, 1.52um/60uin MIN. TIN IN SOLDER TAIL, BOTH OVER 0.76um/30uin MIN. NICKEL OVERALL.
 - 2 - 0.38um/15uin MIN. GOLD IN CONTACT AREA, 1.52um/60uin MIN. TIN IN SOLDER TAIL, BOTH OVER 0.76um/30uin MIN. NICKEL OVERALL.
 - 3 - 0.76um/30uin MIN. GOLD IN CONTACT AREA, 1.52um/60uin MIN. TIN IN SOLDER TAIL, BOTH OVER 0.76um/30uin MIN. NICKEL OVERALL.
 - 4 - 0.50um/20uin MIN. GOLD IN CONTACT AREA, 1.52um/60uin MIN. TIN IN SOLDER TAIL, BOTH OVER 0.76um/30uin MIN. NICKEL OVERALL.

- 3. PROCUDT SPECIFICATION REFER TO PS-48200-001.
- 4. PRODUCT SPECIFICATION : PER PS-48200-001
- 5. TEST SUMMARY : PER TS-48200-001
- 6. PACKAGE SPECIFICATION : PK-48200-001
- 7. LEAD FREE AND ROHS COMPLIANT PRODUCT

PART NO. LEGEND : 48200 - 92**

- PEG VERSION, COLOR PLATING VERSION (SEE NOTES 2)
- 2 : STANDARD , BROWN , 3.3V, PLASTIC PEG
 - 3 : STANDARD , WHITE , 3.3V, PLASTIC PEG
 - 4 : STANDARD , RED , 3.3V, PLASTIC PEG
 - 6 : STANDARD , WHITE, 3.3V, METAL PEG
 - 7 : STANDARD , GREEN , 3.3V, PLASTIC PEG (PANTON COLOR 365C)
 - 8 : STANDARD , BLACK , 3.3V, PLASTIC PEG

SEE SHEET 1 EC NO: SH2007-0620 DRWN: ALLIN CHKD: APPR: WWSCHANG	2007/03/05 2007/03/09 2007/03/13	DESCRIPTION REV	QUALITY SYMBOLS ▽=0 ◻=0	GENERAL TOLERANCES (UNLESS SPECIFIED) <table border="1"> <thead> <tr> <th></th> <th>mm</th> <th>INCH</th> </tr> </thead> <tbody> <tr> <td>4 PLACES</td> <td>± ---</td> <td>± ---</td> </tr> <tr> <td>3 PLACES</td> <td>± ---</td> <td>± ---</td> </tr> <tr> <td>2 PLACES</td> <td>± 0.25</td> <td>± ---</td> </tr> <tr> <td>1 PLACE</td> <td>± 0.25</td> <td>± ---</td> </tr> </tbody> </table>		mm	INCH	4 PLACES	± ---	± ---	3 PLACES	± ---	± ---	2 PLACES	± 0.25	± ---	1 PLACE	± 0.25	± ---	DIMENSION STYLE MM ONLY	SCALE 2:1	DESIGN UNITS METRIC	THIRD ANGLE PROJECTION
		mm	INCH																				
	4 PLACES	± ---	± ---																				
	3 PLACES	± ---	± ---																				
2 PLACES	± 0.25	± ---																					
1 PLACE	± 0.25	± ---																					
				DRAWN BY TOM	DATE 2005/02/04	TITLE ASS'Y 1.27MM EDGE CARD CONN 184 CKT (3.3V & 5V)																	
				CHECKED BY ALL IN	DATE 2005/02/04	MOLEX INCORPORATED																	
				APPROVED BY WWSCHANG	DATE 2005/02/04	DOCUMENT NO. SD-48200-001	SHEET NO. 3 OF 4																

DRAFT WHERE APPLICABLE
 MUST REMAIN
 WITHIN DIMENSIONS

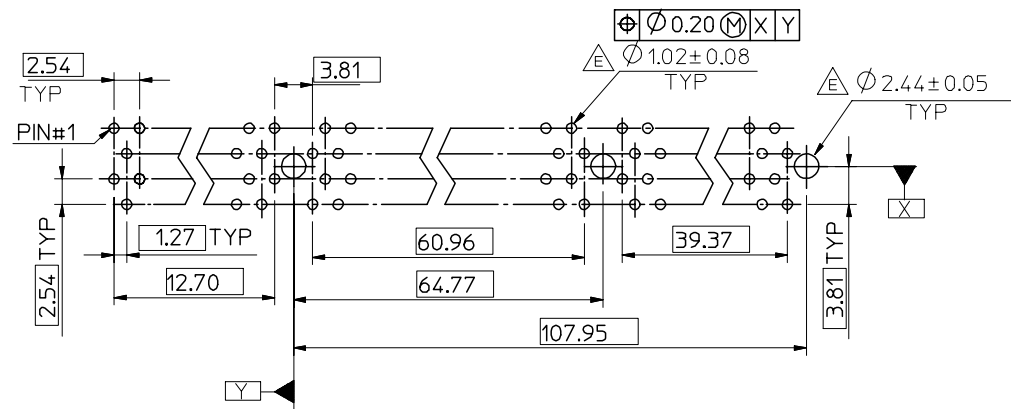
SEE TABLE

SIZE
 A3

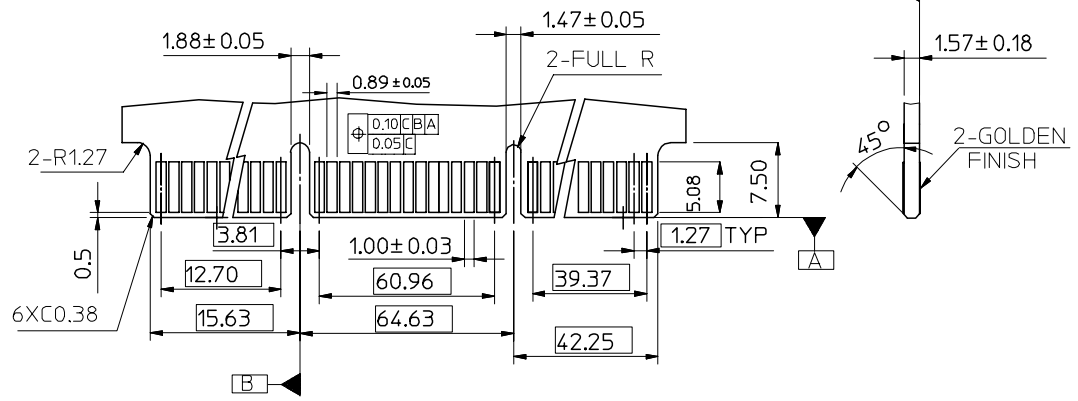
THIS DRAWING CONTAINS INFORMATION THAT IS PROPRIETARY TO MOLEX INCORPORATED AND SHOULD NOT BE USED WITHOUT WRITTEN PERMISSION

10 9 8 7 6 5 4 3 2 1

F
E
D
C
B
A



RECOMMENDED P.C BOARD PATTERN



RECOMMENDED MATING P.C. BOARD EDGE CONFIGURATION

SEE SHEET 1 EC NO: SH2007-0620 DRWN: ALLIN CHKD: APPR: WWSCHANG	2007/03/05 2007/03/09 2007/03/13	DESCRIPTION REV	QUALITY SYMBOLS	GENERAL TOLERANCES (UNLESS SPECIFIED)	DIMENSION STYLE	SCALE	DESIGN UNITS	THIRD ANGLE PROJECTION
			$\nabla = 0$ $\nabla C = 0$	mm INCH	MM ONLY	2:1	METRIC	□ ◻
			4 PLACES ± --- ± --- 3 PLACES ± --- ± --- 2 PLACES ± 0.25 ± --- 1 PLACE ± 0.25 ± --- ANGULAR ± 3 °	DRAWN BY: TOM CHECKED BY: ALL IN APPROVED BY: WWSCHANG MATERIAL NO.	DATE: 2005/02/04 DATE: 2005/02/04 DATE: 2005/02/04	TITLE: ASS'Y 1.27MM EDGE CARD CONN 184 CKT (3.3V & 5V)	MOLEX INCORPORATED	
			DRAFT WHERE APPLICABLE MUST REMAIN WITHIN DIMENSIONS	SEE TABLE	DOCUMENT NO. SD-48200-001	SHEET NO. 4 OF 4		

9 8 7 6 5 4 3 2 1