

**PLEASE CHECK WWW.MOLEX.COM FOR LATEST PART INFORMATION**

**Part Number:** [0490450011](#)  
**Status:** **Active**  
**Description:** 0.50mm (.020") Pitch Board-to-Board Shutter I/O Receptacle, SMT, Shielded, Right Angle, 24 Circuits, Black/Natural

**Documents:**

[3D Model](#) [Product Specification PS-49045-002 \(PDF\)](#)  
[Drawing \(PDF\)](#) [RoHS Certificate of Compliance \(PDF\)](#)  
[Product Specification PS-49045-001 \(PDF\)](#)

**General**

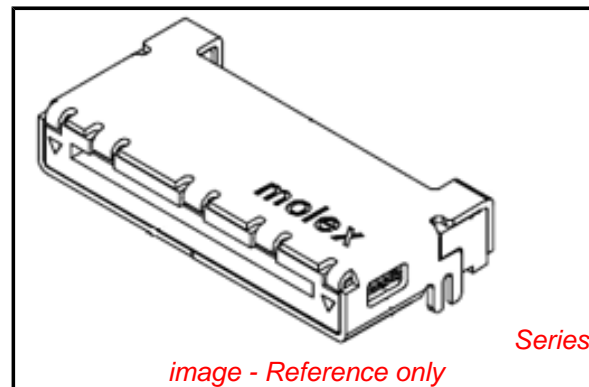
Product Family	I/O Connectors
Series	<a href="#">49045</a>
Application	Board-to-Board
Comments	Coplanarity of Solderails 0.10mm max
Component Type	Receptacle
Product Name	N/A
Type	N/A

**Physical**

Boot Color	N/A
Circuits (Loaded)	24
Circuits (maximum)	24
Color - Resin	Black
Gender	Receptacle
Keying to Mating Part	None
Lock to Mating Part	Yes
Material - Metal	Stainless Steel
Material - Plating Mating	Gold
Material - Plating Termination	Gold
Material - Resin	High Temperature Thermoplastic
Number of Rows	1
Orientation	Right Angle
PCB Locator	Yes
PCB Retention	Yes
Packaging Type	Embossed Tape on Reel
Panel Mount	No
Pitch - Mating Interface (in)	0.020 In
Pitch - Mating Interface (mm)	0.50 mm
Pitch - Term. Interface (in)	0.020 In
Pitch - Term. Interface (mm)	0.50 mm
Plating min: Mating (µin)	8
Plating min: Mating (µm)	0.2
Plating min: Termination (µin)	2
Plating min: Termination (µm)	0.05
Polarized to Mating Part	Yes
Polarized to PCB	Yes
Ports	1
Surface Mount Compatible (SMC)	No
Temperature Range - Operating	-20°C to +65°C
Termination Interface: Style	Surface Mount
Waterproof / Dustproof	No
Wire Size AWG	N/A

**Electrical**

Current - Maximum per Contact	0.5A
-------------------------------	------



**EU RoHS**

**ELV and RoHS  
Compliant**  
**REACH SVHC**  
 Not Reviewed  
**Halogen-Free  
Status**

**China RoHS**



**Need more information on product  
environmental compliance?**

Email [productcompliance@molex.com](mailto:productcompliance@molex.com)  
 For a multiple part number RoHS Certificate of Compliance, [click here](#)

Please visit the [Contact Us](#) section for any non-product compliance questions.

**Search Parts in this Series**

[49045Series](#)

**Mates With**

24P I/O Standard Plug

Grounding to Panel  
Shield Type  
Shielded  
Voltage - Maximum

N/A  
Full Shield  
Yes  
30V AC (RMS)/DC

**Material Info**

**Reference - Drawing Numbers**

Product Specification  
Sales Drawing

PS-49045-001, PS-49045-002, RPS-49045-002  
SD-49045-001

This document was generated on 04/15/2010

**PLEASE CHECK [WWW.MOLEX.COM](http://WWW.MOLEX.COM) FOR LATEST PART INFORMATION**

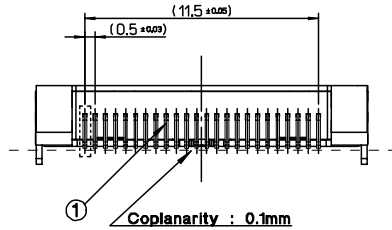
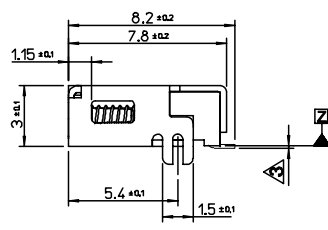
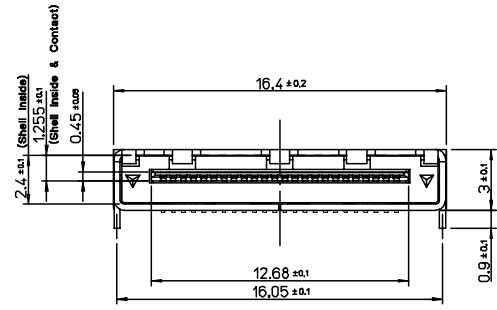
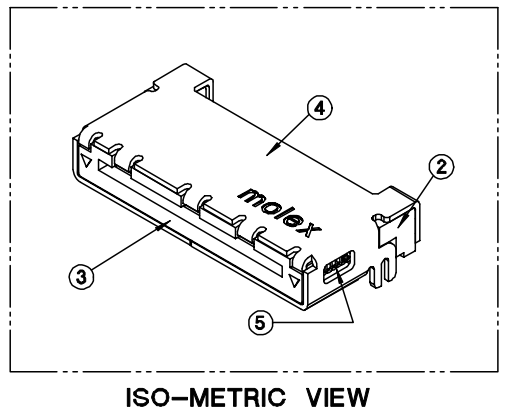
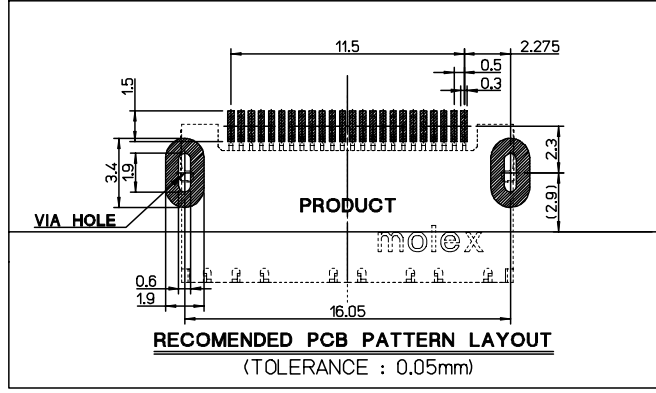
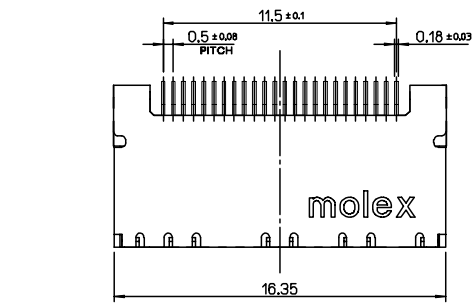
DWG. NO. SD-49045-001

SIMILAR ITEM

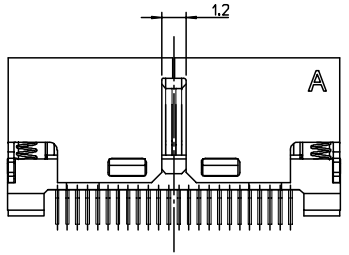
PROJECT NO.

B

DO NOT SCALE DRAWING DIMENSION IN METRIC



Coplanarity : 0.1mm



**NOTES**

1. MATERIALS: SEE TABLE 2
2. FINISHES: SEE TABLE 2
3. ALIGNMENT OF SOLDER TAILS FROM Z: UPPER DIRECTION 0.05 MAX. LOWER DIRECTION 0.1 MAX.
4. COPLANARITY OF SOLDER TAILS : 0.1mm MAX.
5. PRODUCT SPECIFICATION : PS-49045-001
6. PACKAGING SPECIFICATION : PK-49045-001

**TABLE 1**

SILVER	490450016	49045-0016
BLACK	490450011	49045-0011
COLOR	MATERIAL NO.	ENGINEERING NO.

**TABLE 2**

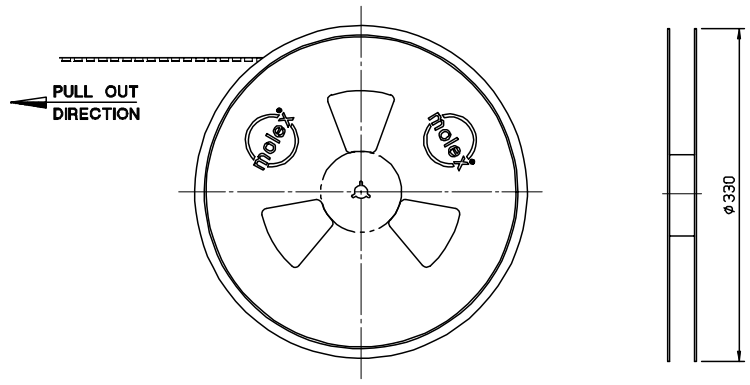
⑤	SPRING	STAINLESS STEEL	NONE
④	METAL SHELL	STAINLESS STEEL	NICKEL
③	SHUTTER	POLY AMIDE UL94V-0	BLACK / NATURAL
②	HOUSING	POLY AMIDE UL94V-0	BLACK COLOR
①	CONTACT TERMINAL	COPPER ALLOY	SELECTIVE GOLD
NO.	DESCRIPTION	MATERIAL	FINISH

<b>REVISED</b>	ECN NO. KOR2007-0007 DRWN: E.S.JUNG 06/07/24 CHK: S.H.JOO APPR: S.J.SEH	DESCRIPTION	QUALITY SYMBOLS MAJOR CRITICAL	GENERAL TOLERANCES: (UNLESS SPECIFIED)		SCALE 4 : 1	DESIGN UNITS <input checked="" type="checkbox"/> mm <input type="checkbox"/> INCH	DIMENSIONS: <input type="checkbox"/> mm <input type="checkbox"/> INCH <input checked="" type="checkbox"/> mm ONLY		SHT	REV		
				4 PLACES ±0	3 PLACES ±0.1	2 PLACES ±0.1	1 PLACE ±0.2	ANGULAR: ± 3 °	DRAWN BY & DATE E.S.JUNG 05/07/19		THIRD ANGLE PROJECTION		TITLE: 0.5 SHUTTER I/O CONN. 24P RECEPTACLE (WITHOUT BATTERY)
<b>C</b>	REV	DRAFT WHERE APPLICABLE MUST REMAIN WITHIN DIMENSIONS				APPROVED BY & DATE S.J.SEH		MATERIAL NO. SEE TABLE 1		DRAWING NO. SD-49045-001		SHEET NO. 1 OF 2	
		THIS DRAWING CONTAINS INFORMATION THAT IS PROPRIETARY TO MOLEX INCORPORATED AND SHOULD NOT BE USED WITHOUT WRITTEN PERMISSION.						CAD FILENAME SD49045001.MI		MOLEX MOLEX INCORPORATED		KOREA MX-A3	

DWG. NO. SD-49045-001  
 SIMILAR ITEM  
 PROJECT NO.  
 DO NOT SCALE DRAWING DIMENSION IN METRIC

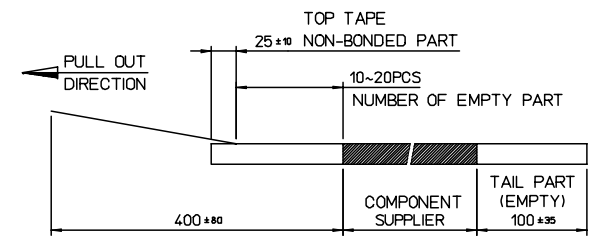
8 7 6 5 4 3 2 1

F  
 E  
 D  
 C  
 B  
 A

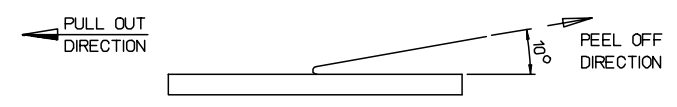


**NOTES**

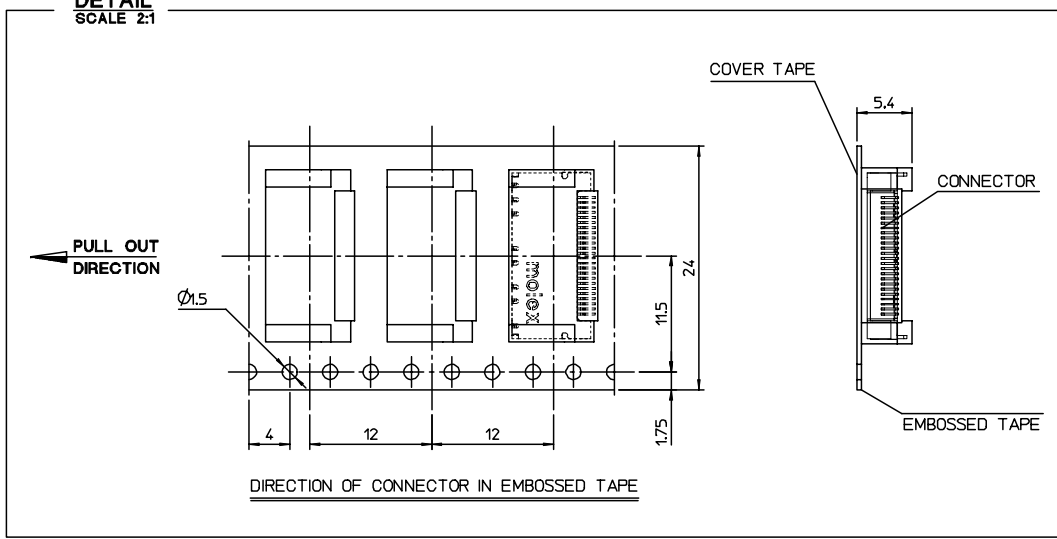
1. QUANTITY OF CONNECTORS : 1,000PCS/REEL
2. LEAD LENGTH



3. PEELING OFF FORCE OF COVER TAPE : 0.1N ±0.59N(10.2±60GF)  
 (PEELING DIRECTION AS SHOW IN FOLLOW FIG.)  
 - PEELING OFF SPEED : 300mm/Min.(Ref.)



**DETAIL SCALE 2:1**



<b>RELEASE</b> ECN NO. KOR2008-0074 DRWN: ES.JUNG 05/12/21 CHK: SH.JOO APPR: SJ.SEH	DESCRIPTION <b>A1</b>	QUALITY SYMBOLS MAJOR = ▽ CRITICAL = ▽ C = ▽	GENERAL TOLERANCES: (UNLESS SPECIFIED)		SCALE 4 : 1	DESIGN UNITS <input checked="" type="checkbox"/> mm <input type="checkbox"/> INCH	THIRD ANGLE PROJECTION <input type="checkbox"/> FIRST ANGLE <input checked="" type="checkbox"/> THIRD ANGLE	DIMENSIONS: <input type="checkbox"/> mm <input type="checkbox"/> INCH <input checked="" type="checkbox"/> mm ONLY	SHT REV
			4 PLACES ±0.1 3 PLACES ±0.1 2 PLACES ±0.1 1 PLACE ±0.2	±0.1 ±0.1 ±0.1 ±0.2	DRAWN BY & DATE <b>ES.JUNG 05/12/21</b>	TITLE: <b>0.5 SHUTTER I/O CONN. 24P RECEPTACLE (WITHOUT BATTERY)</b>		CHECKED BY & DATE <b>SH.JOO</b>	APPROVED BY & DATE <b>SJ.SEH</b>
REV			ANGULAR: ± 3 °		CAD FILENAME <b>SD49045001.MI</b>	MATERIAL NO. <b>SEE TABLE 1</b>	DRAWING NO. <b>SD-49045-001</b>	KOREA	MX-A3
DRAFT WHERE APPLICABLE MUST REMAIN WITHIN DIMENSIONS					THIS DRAWING CONTAINS INFORMATION THAT IS PROPRIETARY TO MOLEX INCORPORATED AND SHOULD NOT BE USED WITHOUT WRITTEN PERMISSION.				

8 7 6 5 4 3 2 1