

**PLEASE CHECK WWW.MOLEX.COM FOR LATEST PART INFORMATION**

**Part Number:** [0784950001](#)  
**Status:** **Active**  
**Description:** 0.80mm(.031"), 1.27mm(.050") Micro SAS Receptacle, Dual Stack, Right Angle, Through Hole, 0.76µm (30µ") Gold (Au) Plating, 50 Circuits, for 1.00mm (.039") to 1.57 (.062") PCB Thickness, Halogen free, Lead free

**Documents:**

[Drawing \(PDF\)](#) [RoHS Certificate of Compliance \(PDF\)](#)  
[Product Specification PS-78495-001 \(PDF\)](#)

**Agency Certification**

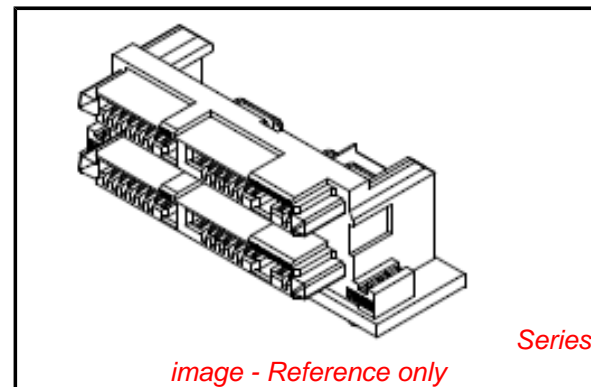
UL E29179

**General**

Product Family I/O Connectors  
 Series [78495](#)  
 Application Board-to-Board  
 Component Type Receptacle  
 Product Name Micro SAS  
 Type N/A

**Physical**

Boot Color N/A  
 Circuits (Loaded) 50  
 Circuits (maximum) 50  
 Circuits Detail Signal 28, Power 18, Sideband 4  
 Color - Resin Black  
 Durability (mating cycles max) 500  
 Gender Female  
 Keying to Mating Part Yes  
 Lock to Mating Part None  
 Material - Metal Copper Alloy  
 Material - Plating Mating Gold  
 Material - Plating Termination Tin  
 Material - Resin High Temperature Thermoplastic  
 Number of Rows 4  
 Orientation Right Angle  
 PCB Locator Yes  
 PCB Retention Yes  
 PCB Thickness Recommended (in) 0.062 In  
 PCB Thickness Recommended (mm) 1.57 mm  
 Packaging Type Tray  
 Panel Mount Yes  
 Pitch - Mating Interface (in) 0.031 In, 0.050 In  
 Pitch - Mating Interface (mm) 0.80 mm, 1.27 mm  
 Plating min: Mating (µin) 30  
 Plating min: Mating (µm) 0.76  
 Plating min: Termination (µin) 100  
 Plating min: Termination (µm) 2.54  
 Polarized to Mating Part Yes  
 Polarized to PCB Yes  
 Ports 4  
 Temperature Range - Operating 0°C to +55°C  
 Termination Interface: Style Through Hole  
 Waterproof / Dustproof No  
 Wire Size AWG N/A



**EU RoHS**

**ELV and RoHS Compliant**  
**REACH SVHC**  
 Not Reviewed  
**Halogen-Free Status**  
 Not Reviewed

**China RoHS**



**Need more information on product environmental compliance?**

Email [productcompliance@molex.com](mailto:productcompliance@molex.com)  
 For a multiple part number RoHS Certificate of Compliance, [click here](#)

Please visit the [Contact Us](#) section for any non-product compliance questions.

**Search Parts in this Series**

[78495Series](#)

**Mates With**

[78394](#) , [78528](#) Micro SAS Plugs

**Electrical**

Current - Maximum per Contact	1.5A
Voltage - Maximum	30V

**Solder Process Data**

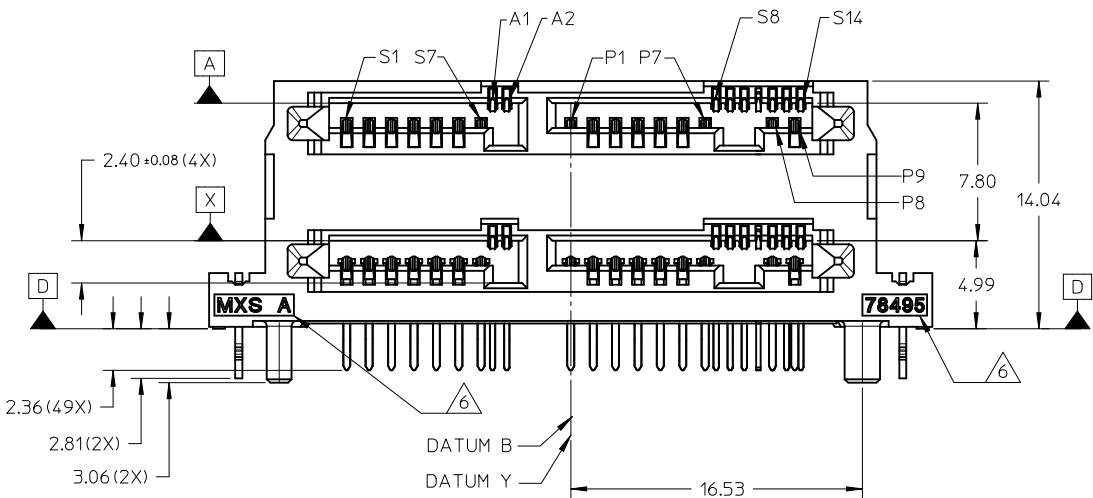
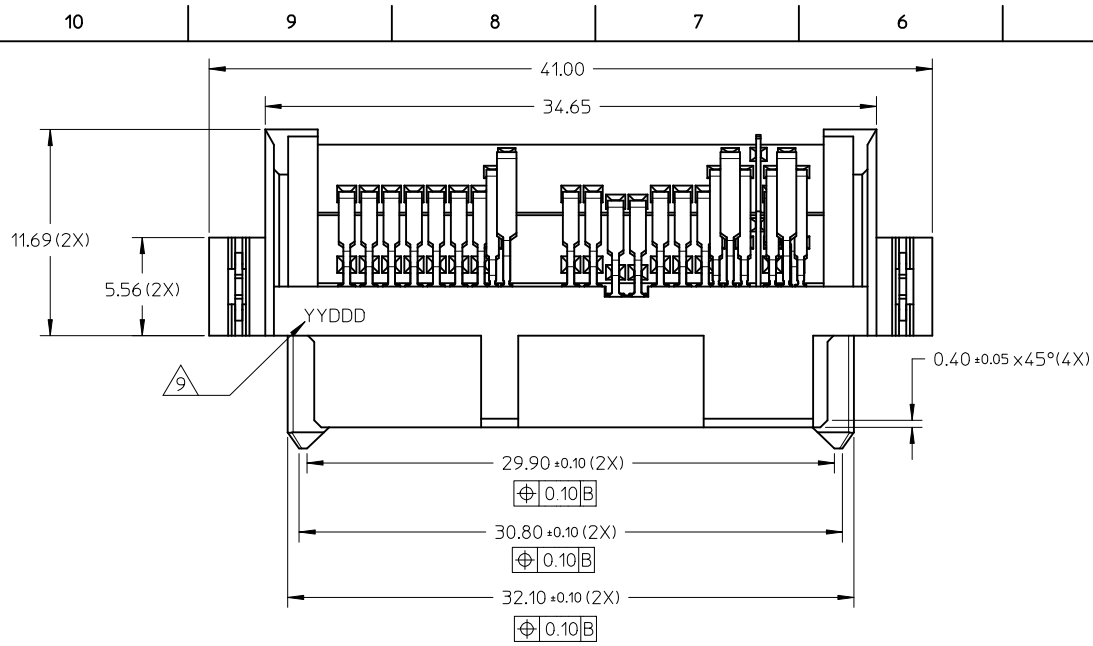
Duration at Max. Process Temperature (seconds)	10
Lead-free Process Capability	SMC & Wave Capable (TH only)
Max. Cycles at Max. Process Temperature	1
Process Temperature max. C	260

**Material Info****Reference - Drawing Numbers**

Product Specification	PS-78495-001, RPS-78495-001
Sales Drawing	SD-78495-001

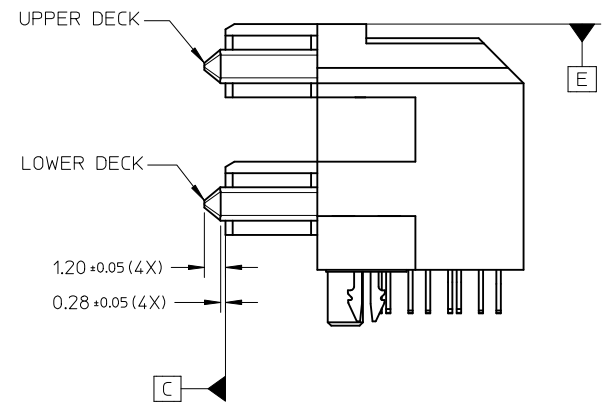
This document was generated on 06/07/2010

**PLEASE CHECK [WWW.MOLEX.COM](http://WWW.MOLEX.COM) FOR LATEST PART INFORMATION**



- NOTES:
- MATERIAL : LCP, GLASS FILLED, UL 94V-0, BLACK  
TERMINAL/FORKLOCK : COPPER ALLOY
  - FINISHES :  
TERMINAL :  
CONTACT: 0.76µm MIN. SELECTIVE GOLD OVER  
1.27µm MIN. NICKEL UNDERPLATE  
SOLDERTAIL: 2.54µm MIN. TIN OVER  
1.27µm MIN. NICKEL UNDERPLATE  
FORKLOCK:  
OVERALL: 2.54µm MIN. TIN OVER  
1.27µm MIN. NICKEL UNDERPLATE
  - PRODUCT SPECIFICATION : PS-78495-001
  - PACKAGING SPECIFICATION : PK-78495-001
  - MATES WITH : MOLEX MICRO SAS PLUGS  
APPLICABLE TO MOLEX PART NO: 78394 SERIES.

- MOLEX LOGO AND PART NUMBER LOCATED APPROXIMATELY AS SHOWN
- THIS PRODUCT IS COMPLIANT TO RoHS DIRECTIVE WITH THE FOLLOWING BANNED SUBSTANCES - LEAD, MERCURY, CADMIUM, HEXAVALENT CHROMIUM, POLYBROMINATED BIPHENYLS AND POLYBROMINATED DIPHENYLS ETHERS.
- NON FUNCTIONAL CORING MAY VARY.
- DATE CODE LOCATED APPROXIMATELY AS SHOWN.



INITIAL RELEASE EC NO: S2010-0321 DRW:KHLIM CHKD:CGOH APPR:BOKOK	DESCRIPTION 2009/12/03 2009/12/04 2009/12/04	QUALITY SYMBOLS	GENERAL TOLERANCES (UNLESS SPECIFIED)		DIMENSION STYLE		SCALE	DESIGN UNITS	THIRD ANGLE PROJECTION			
		$F_A=0$ $F_G=0$ $F_P=0$	mm	INCH	MM ONLY		NTS	METRIC				
			4 PLACES	± ---	± ---	DRAWN BY	DATE	TITLE				
			3 PLACES	± ---	± ---	CHECKED BY	DATE	MICRO SAS RECEPTACLE DUAL STACK R/A T/H 7.8MM HEIGHT				
	2 PLACES	± 0.20	± ---	APPROVED BY	DATE	MOLEX INCORPORATED						
	1 PLACE	± ---	± ---	BOKOK	2009/12/03	DOCUMENT NO. SD-78495-001						
		ANGULAR ± 3 °		MATERIAL NO. 78495-0001		SHEET NO. 1 OF 4						
DRAFT WHERE APPLICABLE MUST REMAIN WITHIN DIMENSIONS		SIZE A3		THIS DRAWING CONTAINS INFORMATION THAT IS PROPRIETARY TO MOLEX INCORPORATED AND SHOULD NOT BE USED WITHOUT WRITTEN PERMISSION								

10 9 8 7 6 5 4 3 2 1

F

E

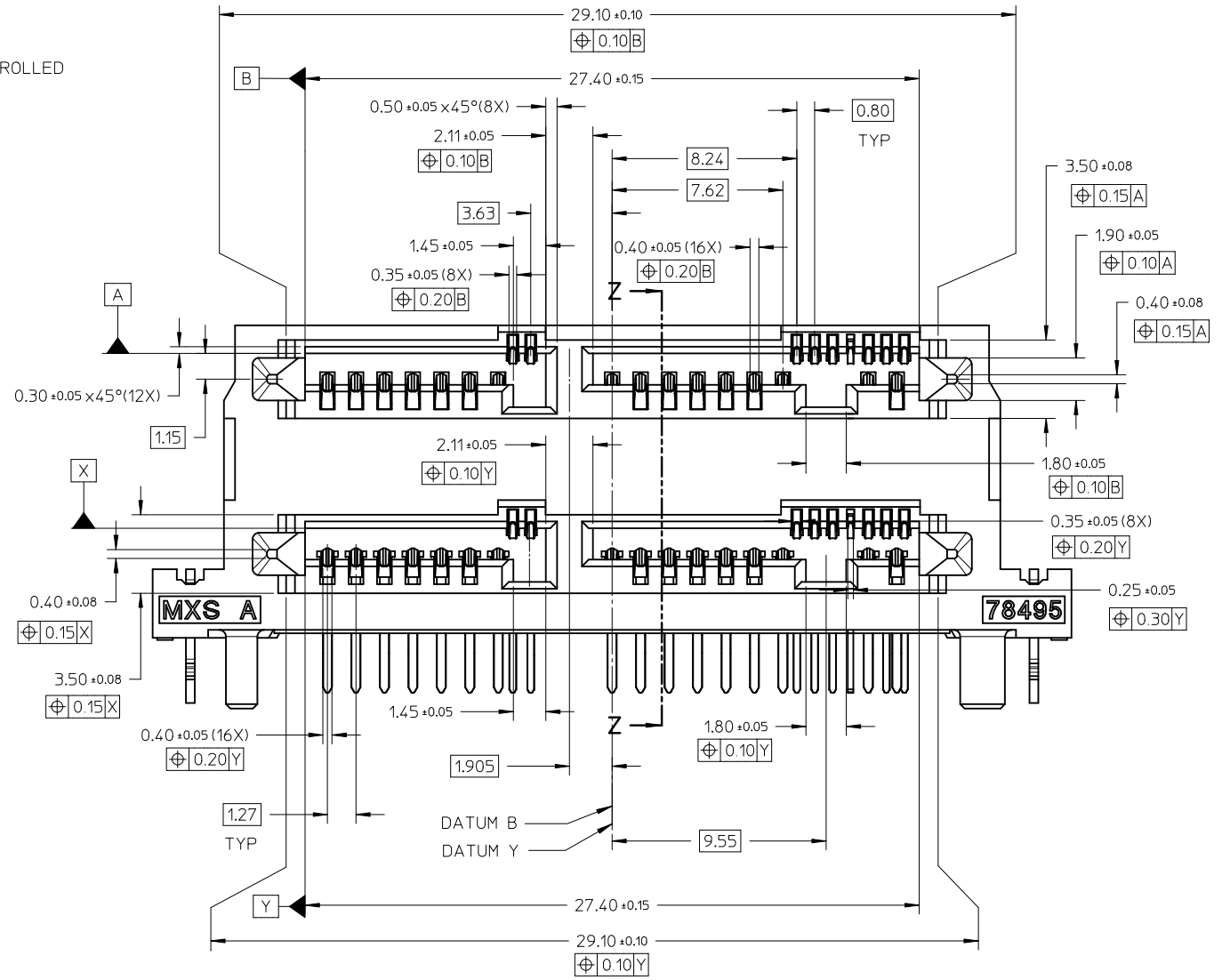
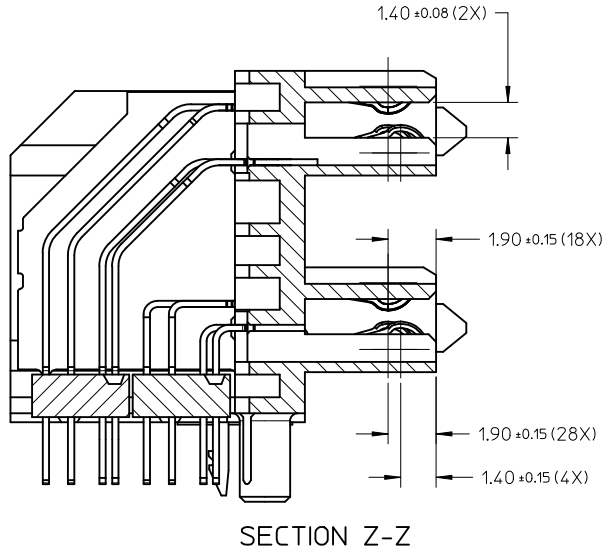
D

C

B

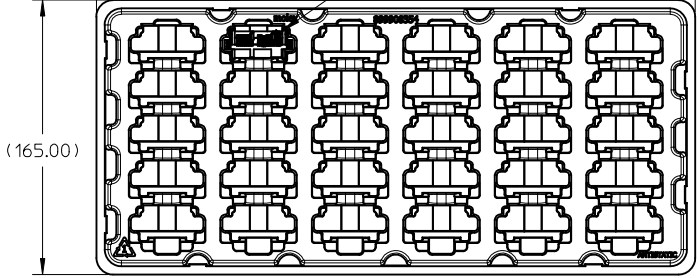
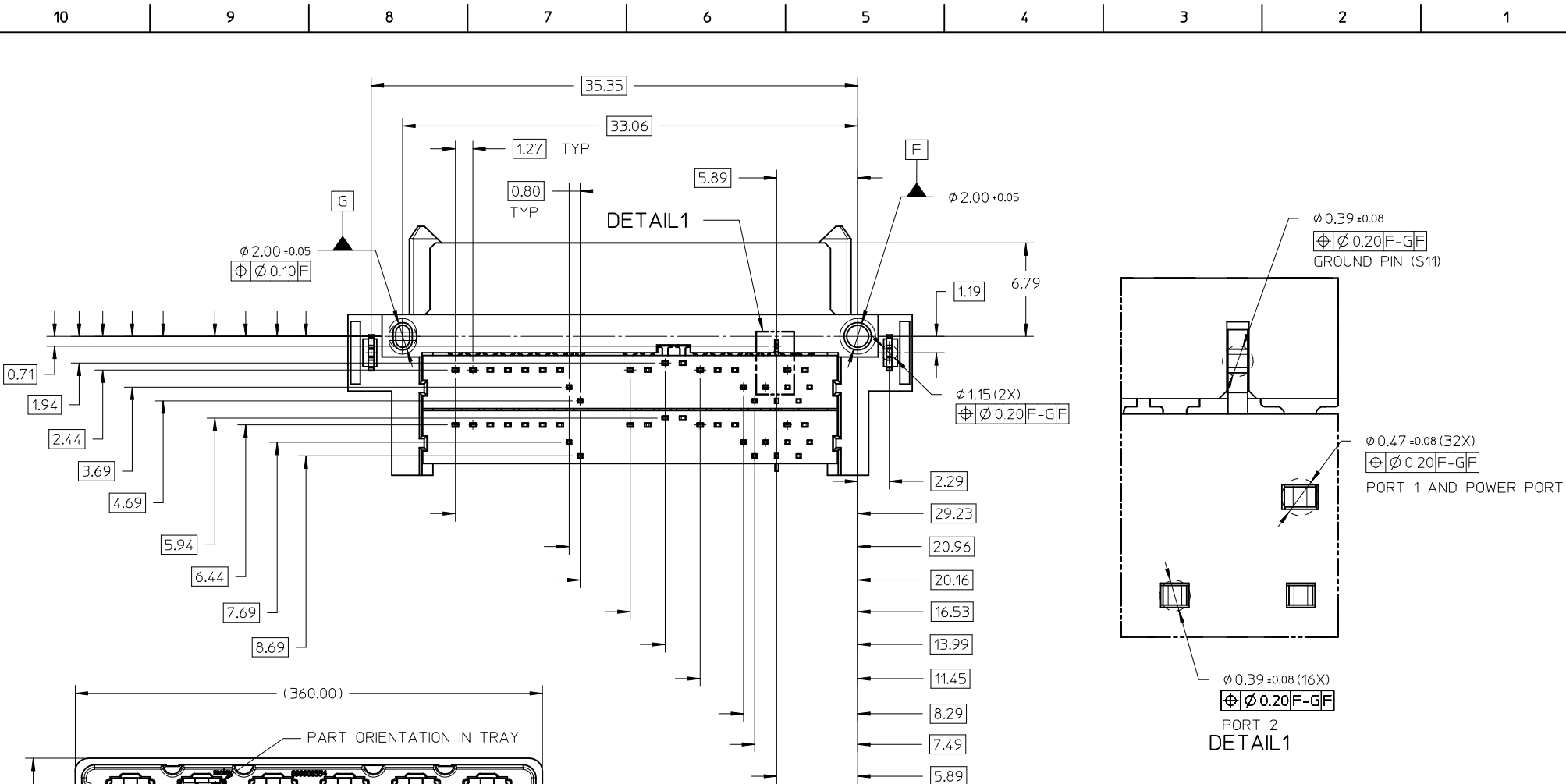
A

DIMENSIONAL CONTROL SHOWN IN THIS SHEET ARE CONTROLLED TO THE DATUMS OF EACH DECK RESPECTIVELY.



INITIAL RELEASE EC NO: S2010-0321 DRW:KHL IM CHKD:CGOH APPR:BOKOK	2009/12/03 2009/12/04 2009/12/04	DESCRIPTION REV	QUALITY SYMBOLS	GENERAL TOLERANCES (UNLESS SPECIFIED)	DIMENSION STYLE	SCALE	DESIGN UNITS	THIRD ANGLE PROJECTION
			$F_A=0$ $F_C=0$ $F_B=0$	mm    INCH 4 PLACES ± --- ± --- 3 PLACES ± --- ± --- 2 PLACES ± 0.20 ± --- 1 PLACE ± --- ± --- ANGULAR ± 3 °	MM ONLY	NTS	METRIC	
				DRAWN BY: KHL IM    DATE: 2009/10/12 CHECKED BY: CGOH    DATE: 2009/12/03 APPROVED BY: BOKOK    DATE: 2009/12/03	TITLE			
			MATERIAL NO. 78495-0001 DRAFT WHERE APPLICABLE MUST REMAIN WITHIN DIMENSIONS	MOLEX INCORPORATED DOCUMENT NO. SD-78495-001 SHEET NO. 2 OF 4				

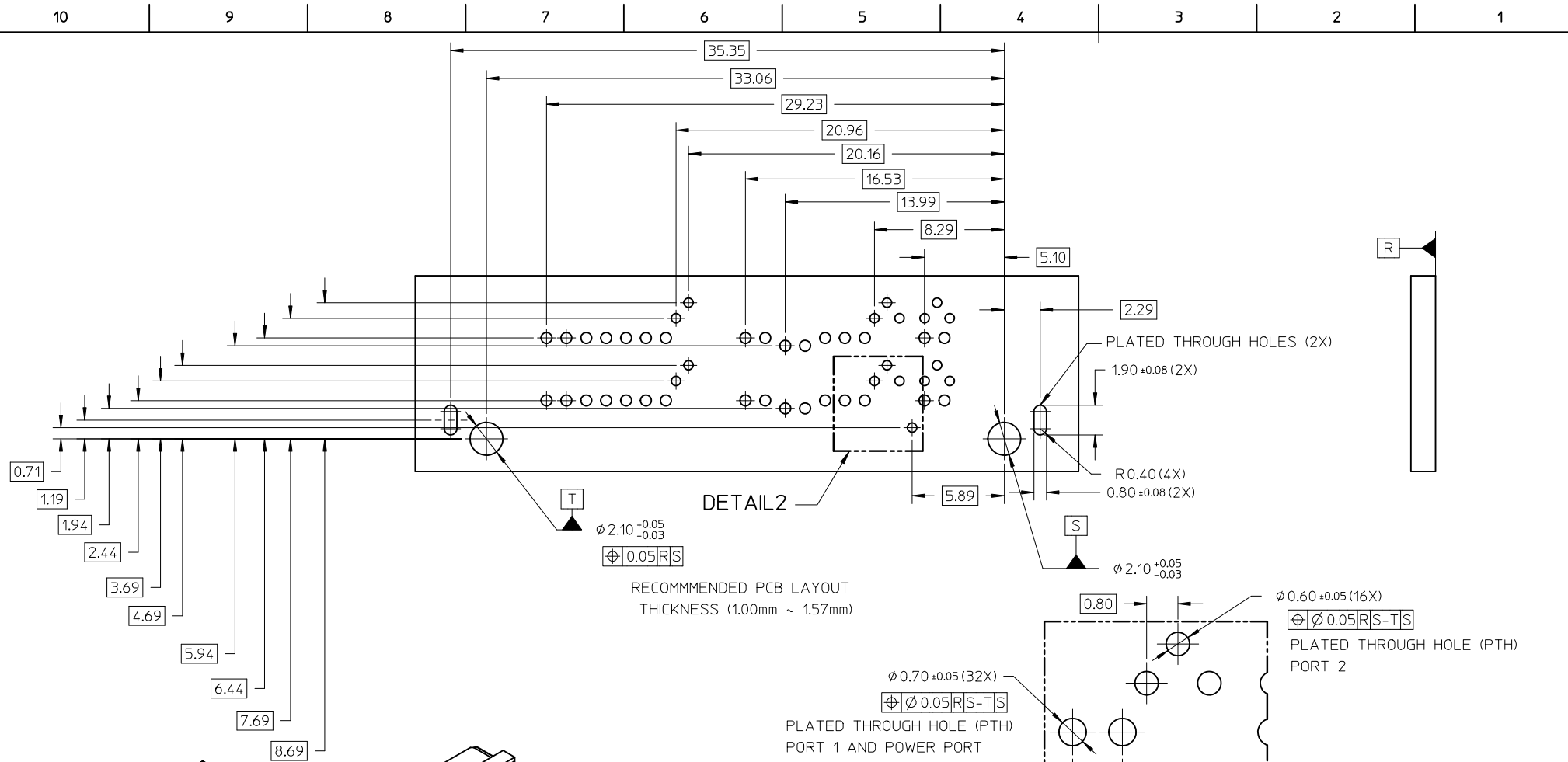
9 8 7 6 5 4 3 2 1



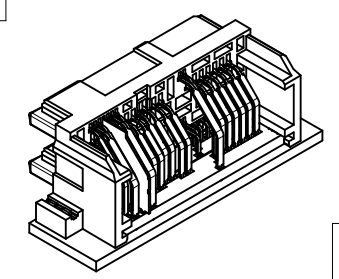
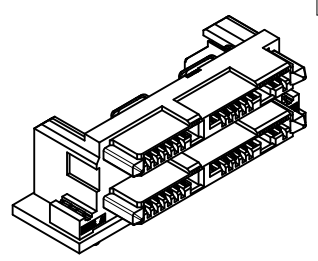
INITIAL RELEASE EC NO: S2010-0321 DRW:KHL IM CHKD:CGOH APPR:BOKOK	2009/12/03	2009/12/04	2009/12/04	QUALITY SYMBOLS $\nabla_A = 0$ $\nabla_C = 0$ $\nabla_P = 0$	GENERAL TOLERANCES (UNLESS SPECIFIED) mm    INCH 4 PLACES ± --- ± --- 3 PLACES ± --- ± --- 2 PLACES ± 0.20 ± --- 1 PLACE ± --- ± --- ANGULAR ± 3 °	DIMENSION STYLE <b>MM ONLY</b> DRAWN BY: KHL IM    DATE: 2009/10/12 CHECKED BY: CGOH    DATE: 2009/12/03 APPROVED BY: BOKOK    DATE: 2009/12/03	SCALE <b>NTS</b> DESIGN UNITS <b>METRIC</b> THIRD ANGLE PROJECTION	TITLE <b>MICRO SAS RECEPTACLE          DUAL STACK R/A T/H          7.8MM HEIGHT</b>		
	2009/12/03	2009/12/03	2009/12/03							
	MATERIAL NO. <b>78495-0001</b>								DOCUMENT NO. <b>SD-78495-001</b>	SHEET NO. <b>3 OF 4</b>
	DRAFT WHERE APPLICABLE MUST REMAIN WITHIN DIMENSIONS									



THIS DRAWING CONTAINS INFORMATION THAT IS PROPRIETARY TO MOLEX INCORPORATED AND SHOULD NOT BE USED WITHOUT WRITTEN PERMISSION



RECOMMENDED PCB LAYOUT  
THICKNESS (1.00mm ~ 1.57mm)



INITIAL RELEASE EC NO: S2010-0321 DRW:KHL IM CHKD:CGOH APPR:BOKOK	2009/12/03 2009/12/04 2009/12/04	QUALITY SYMBOLS $F_A=0$ $F_C=0$ $F_P=0$	GENERAL TOLERANCES (UNLESS SPECIFIED)		DIMENSION STYLE <b>MM ONLY</b>		SCALE NTS	DESIGN UNITS METRIC	THIRD ANGLE PROJECTION			
				mm	INCH	DRAWN BY	DATE	TITLE				
				4 PLACES	± ---	± ---	KHL IM	2009/10/12	MICRO SAS RECEPTACLE DUAL STACK R/A T/H 7.8MM HEIGHT			
				3 PLACES	± ---	± ---	CHECKED BY	DATE				
		2 PLACES	± 0.20	± ---	CGOH	2009/12/03	MOLEX INCORPORATED					
		1 PLACE	± ---	± ---	APPROVED BY	DATE						
			ANGULAR ± 3 °		BOKOK	2009/12/03	MATERIAL NO. <b>78495-0001</b>		DOCUMENT NO. <b>SD-78495-001</b>			
			DRAFT WHERE APPLICABLE MUST REMAIN WITHIN DIMENSIONS		SIZE <b>A3</b>		SHEET NO. <b>4 OF 4</b>					