

# Three-phase Asymmetry and Phase-sequence Phase-loss Relay K8AB-PA

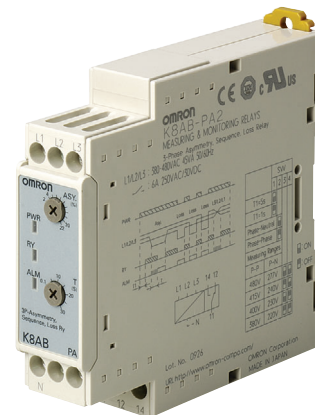
CSM\_K8AB-PA\_DS\_E\_2\_1

**Ideal for 3-phase voltage asymmetry monitoring for industrial facilities and equipment.**

- Monitor voltage asymmetry, phase sequence, and phase loss for three-phase 3-wire or 4-wire power supplies with just one Unit.  
Switch setting for 3-phase 3-wire or 3-phase 4-wire power supply.
- One SPDT output relay, 6 A at 250 VAC (resistive load).
- World-wide power specifications supported by one Unit (switchable).
- Relay status can be monitored using LED indicator.



Refer to *Safety Precautions for the K8AB Series*. Refer to page 9 for the Q&A section.



## Model Number Structure

### ■ Model Number Legend

**K8AB-□□**

1 2 3

#### 1. Basic Model

K8AB: Measuring and Monitoring Relays

#### 2. Functions

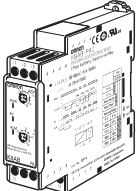
PA: Three-phase Asymmetry and Phase-sequence Phase-loss Relay.

#### 3. Rated Input Voltage

- 1: AC 115, 127, 133, 138, 200, 220, 230, 240
- 2: AC 220, 230, 240, 277, 380, 400, 415, 480

## Ordering Information

### ■ List of Models

| Three-phase Asymmetry and Phase-sequence Phase-loss Relay                         | Rated input (See note 2.) |                       | Model    |
|---|---------------------------|-----------------------|----------|
|  | 3-phase 3-wire mode       | AC 200, 220, 230, 240 | K8AB-PA1 |
|   | 3-phase 4-wire mode       | AC 115, 127, 133, 138 |          |
|   | 3-phase 3-wire mode       | AC 380, 400, 415, 480 | K8AB-PA2 |
|   | 3-phase 4-wire mode       | AC 220, 230, 240, 277 |          |

- Note:** 1. Three-phase, three-wire or four-wire and the input range are switched using a DIP switch.  
 2. The power supply voltage is the same as the rated input voltage.

# Ratings and Specifications

## ■ Ratings

|                                      |   |   |
|--------------------------------------|---|---|
| Rated input voltage                  | K8AB-PA1  | Three-phase, three-wire Mode: 200, 220, 230 and 240 VAC<br>Three-phase, four-wire Mode: 115, 127, 133 and 138 VAC |
|                                      | K8AB-PA2  | Three-phase, three-wire Mode: 380, 400, 415 and 480 VAC<br>Three-phase, four-wire Mode: 220, 230, 240 and 277 VAC |
| Input load                           | K8AB-PA1: 25 VA max.<br>K8AB-PA2: 45 VA max.  |   |
| Operating value setting range (ASY.) | Asymmetry rate: 2% to 22%   |   |
| Operating value                      | Asymmetry operating value = Rated input voltage × Asymmetry set value (%)<br>The asymmetry operation will function when the potential difference between the highest and lowest voltage phases equals or exceeds the asymmetry operating value.   |   |
| Reset value setting range (HYS.)     | 5% to 50% of operating value  |   |
| Reset method                         | Automatic reset   |   |
| Operating time setting range (T)     | Asymmetry   | 0.1 to 30 s   |
|                                      | Reversed phase/phase loss   | 0.1 s max.  |
| Startup lock time (LOCK)             | 1 s or 5 s (Switched using DIP switch.)   |   |
| Indicators                           | Power (PWR): Green, Relay output (RY): Yellow, Alarm outputs (ALM): Red   |   |
| Output relays                        | One SPDT relay (NC operation)   |   |
| Output relay ratings                 | Rated load<br>Resistive load<br>6 A at 250 VAC ( $\cos\phi = 1$ )<br>6 A at 30 VDC (L/R = 0 ms)<br>Inductive load<br>1 A at 250 VAC ( $\cos\phi = 0.4$ )<br>1 A at 30 VDC (L/R = 7 ms)<br>Maximum contact voltage: 250 VAC<br>Maximum contact current: 6 A AC<br>Maximum switching capacity: 1,500 VA<br>Minimum load: 10 mA at 5 VDC<br>Mechanical life: 10,000,000 operations<br>Electrical life: Make: 50,000 times, Break: 30,000 times |   |
| Ambient operating temperature        | -20 to 60°C (with no condensation or icing)   |   |
| Storage temperature                  | -40 to 70°C (with no condensation or icing)   |   |
| Ambient operating humidity           | 25% to 85% (with no condensation)   |   |
| Storage humidity                     | 25% to 85% (with no condensation)   |   |
| Altitude                             | 2,000 m max.  |   |
| Terminal screw tightening torque     | 0.49 N·m  |   |
| Terminal wiring method               | Recommended wire<br>Solid wire: 2.5 mm <sup>2</sup><br>Twisted wires: AWG16, AWG18<br><b>Note:</b> 1. Ferrules with insulating sleeves must be used with twisted wires.<br>2. Two wires can be twisted together.<br>Recommended ferrules<br>Al 1.5-8BK (for AWG16) manufactured by Phoenix Contact<br>Al 1-8RD (for AWG18) manufactured by Phoenix Contact<br>Al 0.75-8GY (for AWG18) manufactured by Phoenix Contact                       |   |
| Case color                           | Munsell 5Y8/1   |   |
| Case material                        | ABS resin (self-extinguishing resin) UL94-V0  |   |
| Weight                               | Approx. 120 g   |   |
| Mounting                             | Mounted to DIN Track or via M4 screws (tightening torque: 1.2 N·m)  |   |
| Dimensions                           | 22.5 (W) × 90 (H) × 100 (D) mm  |   |

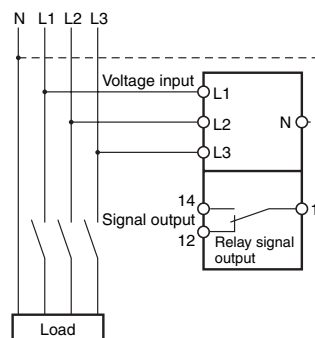
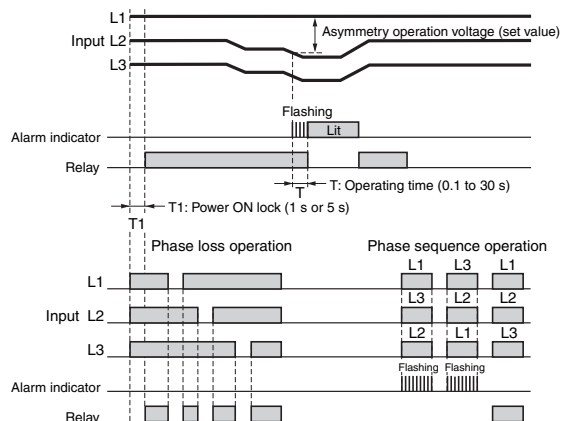
## ■ Specifications

|                                     |                             |   |
|-------------------------------------|-----------------------------|---|
| <b>Input frequency range</b>        |                             | 45 to 65 Hz   |
| <b>Overload capacity</b>            |                             | Continuous input: 115% of maximum input, 10 s max.: 125% of maximum input   |
| <b>Setting error</b>                | <b>Operating value</b>      | Set value $\pm 10\%$ full scale   |
|                                     | <b>Operating time</b>       |   |
|                                     | <b>Startup lock time</b>    | Set value $\pm 0.5$ s   |
| <b>Repeat error</b>                 | <b>Operating value</b>      | Operating value $\pm 2\%$<br>Error calculation: Error = ((Maximum operating value – Minimum operating value (over 10 operations))/2)/Average value $\times 100\%$   |
|                                     | <b>Reset value</b>          | Operating value $\times 95\% \pm 2\%$<br>Error calculation: Error = ((Maximum reset value – Minimum reset value (over 10 resets))/2)/Average value $\times 100\%$   |
|                                     | <b>Operating time</b>       | Operating time repeat error: $\pm 50$ ms<br>Asymmetry: Measured when the input suddenly changes from the three-phase asymmetry status to a difference between the maximum and minimum phases of 120% of the asymmetry operating value.  |
|                                     | <b>Startup lock time</b>    | Startup lock time repeat error: $\pm 0.5$ s<br>(The operating time when the operating time is set to the minimum value and the power supply suddenly changes from 0% to 100%.)  |
| <b>Temperature influence</b>        |                             | Operating value<br>Drift based on measured value at standard temperature:<br>–20°C to standard temperature: $\pm 1,000$ ppm/°C max.<br>Standard temperature to 60°C: $\pm 1,000$ ppm/°C max.<br>(Humidity: 25% to 80%)<br>Operating time<br>Fluctuation based on measured value at standard temperature:<br>–20°C to standard temperature: $\pm 10\%$ max.<br>Standard temperature to 60°C: $\pm 10\%$ max.<br>(Humidity: 25% to 80%) |
| <b>Humidity influence</b>           |                             | Operating value<br>Based on ambient humidity of 65%<br>25% to 80%: $\pm 5\%$ max.<br>Operating time<br>Based on ambient room humidity<br>25% to 80%: $\pm 10\%$ max.  |
| <b>Influence of input frequency</b> |                             | At 45 to 65 Hz<br>Operating value $\pm 5\%$ max.<br>Operating time $\pm 10\%$ max.<br><b>Note:</b> The error in the operating value and operating time under standard conditions.   |
| <b>Applicable standards</b>         | <b>Conforming standards</b> | EN60255-5 and EN60255-6<br>Installation environment (Pollution Degree 2, Overvoltage Category III)  |
|                                     | <b>EMC</b>                  | EN61326   |
|                                     | <b>Safety standards</b>     | UL508   |
| <b>Insulation resistance</b>        |                             | 20 M $\Omega$ min.<br>Between external terminals and case<br>Between input terminals and output terminals   |
| <b>Dielectric strength</b>          |                             | 2,000 VAC for one minute<br>Between external terminals and case<br>Between input terminals and output terminals   |
| <b>Noise immunity</b>               |                             | 1,500 V power supply terminal common/normal mode<br>Square-wave noise of $\pm 1$ $\mu$ s/100 ns pulse width with 1-ns rise time   |
| <b>Vibration resistance</b>         |                             | Frequency 10 to 55 Hz, 0.35-mm single amplitude, acceleration 50 m/s <sup>2</sup><br>10 sweeps of 5 min each in X, Y, and Z directions  |
| <b>Shock resistance</b>             |                             | 100 m/s <sup>2</sup> , 3 times each in 6 directions along three axes (up/down, left/right, forward/backward)  |
| <b>Degree of protection</b>         |                             | Terminal section: Finger protection   |

# Connections

## ■ Wiring Diagram

### Voltage Asymmetry and Phase Sequence/Phase Loss Operation Diagram



- Note:**
1. K8AB-PA output relay is normally operative.
  2. The power ON lock prevents unnecessary alarms from being generated during the instable period when the power is first turned on. There is no relay output during timer operation.
  3. Phase loss is detected by L1, L2, and L3 voltage drops.  
A phase loss will exist if any of the phases drops below 60% of the rated input.
  4. L1 and L2 function both as the power supply terminals and as input terminals.  
If the voltage drops dramatically, then the Relay will not operate due to an undervoltage.
  5. Motor load phase loss cannot be detected during operation.
  6. Phase loss is detected based on voltage, so phase loss cannot be detected on the load side.

**Calculating the Asymmetry Operating Voltage**  
 Asymmetry operation condition = (Highest voltage - Lowest voltage) > Asymmetry operating voltage  
 Asymmetry operating voltage = Rated input voltage (V) × Asymmetry set value (%)  
**Note:** The rated input voltage is selected and set with the DIP switch.

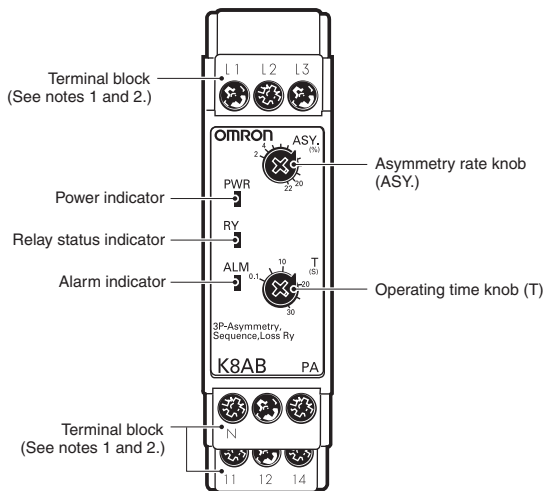
### Operation Indicators

| Item                  | Display |                      | Contact operation |
|-----------------------|---------|----------------------|-------------------|
|                       | Ry_LED  | Alarm_LED            | Alarm_LED         |
| <b>Asymmetry</b>      | OFF     | ON                   | OFF               |
| <b>Phase loss</b>     | OFF     | ON                   | OFF               |
| <b>Reversed phase</b> | OFF     | Flashing (See note.) | OFF               |
| <b>Correct phase</b>  | ON      | OFF                  | ON                |

**Note:** The indicator will flash once per second after a phase loss is detected and once per 0.5 second during the detection time.

# Nomenclature

## ■ Front



## Indicators

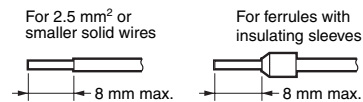
| Item                                | Meaning   |
|-------------------------------------|---|
| Power indicator (PWR: Green)        | Lit when power is being supplied (see note).  |
| Relay status indicator (RY: Yellow) | Lit when relay is operating (normally lit).   |
| Alarm indicator (ALM: Red)          | Asymmetry voltage error indicator<br>The indicator flashes to indicate the error status after the input has exceeded the threshold value while the operating time is being clocked. |

**Note:** The input across L1 and L2 is used for the internal power supply. Therefore, the power indicator will not be lit if there is no input across L1 and L2.

## Setting Knobs

| Item                      | Usage  |
|---------------------------|--|
| Asymmetry rate knob (ASY) | Used to set the asymmetry rate to 2% to 22%.   |
| Operating time knob (T)   | Used to set the operating time to 0.1 to 30 s. |

**Note: 1.** Use either a solid wire of 2.5 mm<sup>2</sup> maximum or a ferrule with insulating sleeve for the terminal connection. The length of the exposed current-carrying part inserted into the terminal must be 8 mm or less to maintain dielectric strength after connection.



Recommended ferrules

- Phoenix Contact
- AI 1,5-8BK (for AWG16)
- AI 1-8RD (for AWG18)
- AI 0,75-8GY (for AWG18)

- 2.** Tightening torque  
Recommended: 0.49 N·m  
Maximum: 0.54 N·m

## ■ Operation and Setting Methods

### Connections

**1. Input**

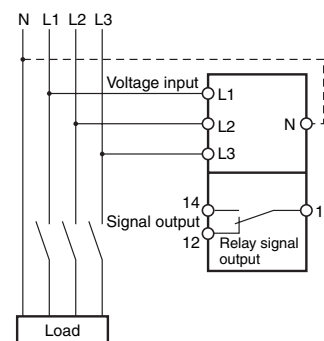
Connect to L1, L2, and L3 (for three-phase three-wire mode) or L1, L2, L3, and N (for three-phase four-wire mode), depending on the mode selected using pin 2 on the DIP switch.

The Unit will not operate correctly if the DIP switch setting and the wiring do not agree.

Make sure the phase sequence is wired correctly. The Unit will not operate normally if the phase sequence is incorrect.

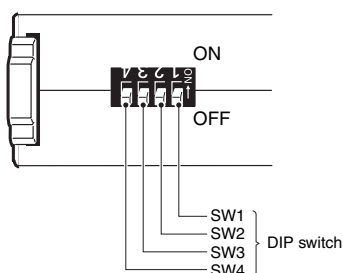
**2. Outputs**

Terminals 11, 12, and 14 are output terminals for SPDT.



### DIP Switch Settings

The power ON lock time, number of wires, and rated voltage are set using the DIP switch located on the bottom of the Unit.



#### DIP Switch Functions

##### K8AB-PA1

| SWITCH             | ON ● ↑                  |                        |     |     |     |     |
|--------------------|-------------------------|------------------------|-----|-----|-----|-----|
|                    | OFF ○ ↓                 |                        | 4   | 3   | 2   | 1   |
| Power ON lock time | 5 s                     | ---                    | --- | --- | --- | ●   |
|                    | 1 s                     | ---                    | --- | --- | --- | ○   |
| Number of wires    | Three-phase, four-wire  | ---                    | --- | ●   | --- | --- |
|                    | Three-phase, three-wire | ---                    | --- | ○   | --- | --- |
| Rated voltage      | Three-phase, three-wire | Three-phase, four-wire |     |     |     |     |
|                    | 240 V                   | 138 V                  | ●   | ●   | --- | --- |
|                    | 230 V                   | 133 V                  | ●   | ○   | --- | --- |
|                    | 220 V                   | 127 V                  | ○   | ●   | --- | --- |
|                    | 200 V                   | 115 V                  | ○   | --- | --- | --- |

**Note:** All pins are set to OFF at the factory.

##### K8AB-PA2

| SWITCH             | ON ● ↑                  |                        |     |     |     |     |
|--------------------|-------------------------|------------------------|-----|-----|-----|-----|
|                    | OFF ○ ↓                 |                        | 4   | 3   | 2   | 1   |
| Power ON lock time | 5 s                     | ---                    | --- | --- | --- | ●   |
|                    | 1 s                     | ---                    | --- | --- | --- | ○   |
| Number of wires    | Three-phase, four-wire  | ---                    | --- | ●   | --- | --- |
|                    | Three-phase, three-wire | ---                    | --- | ○   | --- | --- |
| Rated voltage      | Three-phase, three-wire | Three-phase, four-wire |     |     |     |     |
|                    | 480 V                   | 277 V                  | ●   | ●   | --- | --- |
|                    | 415 V                   | 240 V                  | ●   | ○   | --- | --- |
|                    | 400 V                   | 230 V                  | ○   | ●   | --- | --- |
|                    | 380 V                   | 220 V                  | ○   | ○   | --- | --- |

**Note:** All pins are set to OFF at the factory.

## Setting Method

### 1. Asymmetry

Asymmetry is set using the asymmetry operation knob (ASY.)

The setting can be between 2% and 22% of the rated input.

Turn the knob while there is an input to the input terminals until the alarm indicator flashes (when the set value and the input have reached the same level.)

Use this as a guide to set the asymmetry.

The rated input depends on the model and DIP switch setting.

Example: K8AB-PA1 with Pin 2 Turned OFF (Three-phase, Three-wire Mode) and Pins 3 and 4 Turned OFF (Rated Voltage of 200 V)

The rated input voltage is 200 VAC and the setting range is 4 to 44 V.

If the setting (ASY. knob) is at 10%, the asymmetry operation voltage is 20 V and an alarm will be output if the difference between the minimum and maximum phases for two of the three phases exceeds 20 V.

### 2. Operating Time

The operating time is set using the operating time knob (T).

The operating time can be set to between 0.1 and 30 s.

Turn the knob while there is an input to the input terminals until the alarm indicator flashes (when the set value and the input have reached the same level.)

Use this as a guide to set the operating time.

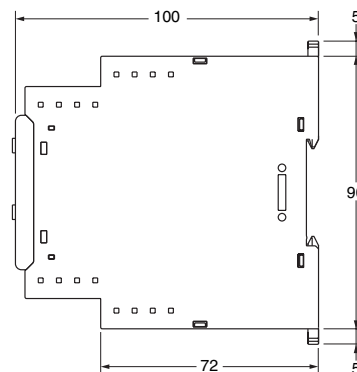
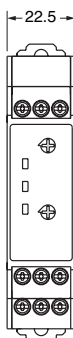
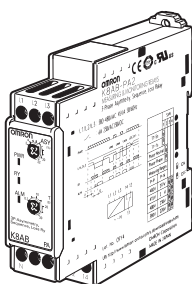
If the input exceeds the asymmetry set value, the alarm indicator will start flashing for the set period and then stay lit.

## Dimensions

(Unit: mm)

### Three-phase Asymmetry and Phase-sequence Phase-loss Relay

K8AB-PA1  
K8AB-PA2





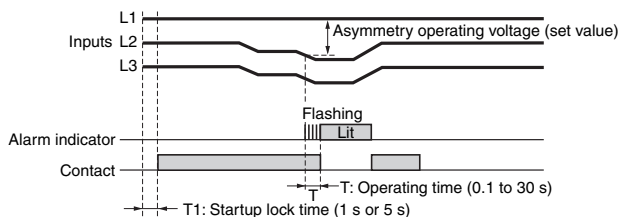
## Questions and Answers

### Q Checking Operation

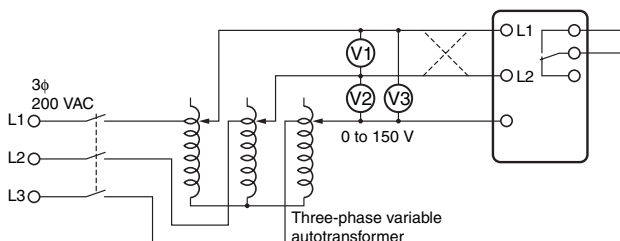
**A** With the rated input voltage applied, gradually change the voltage to any one phase. The Unit will operate when the difference between the maximum and minimum voltage phases reaches or exceeds the asymmetry operating value.  
 Asymmetry operating value = Rated input voltage × Asymmetry set value (%)

Example: For monitoring mode set to three-phase three-wire monitoring, a rated voltage of 200 V, and an operating time of 5 s.

**Note:** K8AB-PA□ output relays are normally operative.



**Connection Diagram 1**

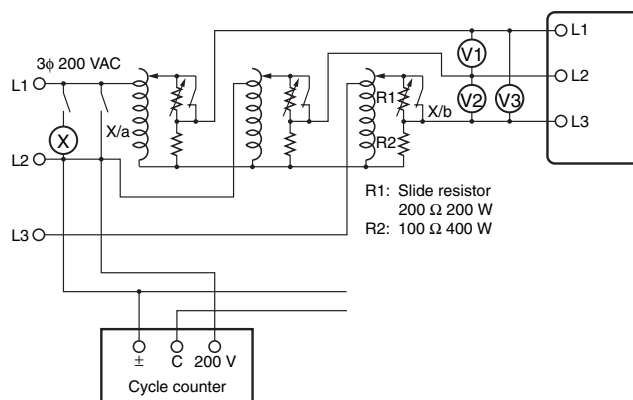


### Q How to Measure the Operating Time

**A** **Asymmetry**  
 Change the input rapidly from a symmetric state to an asymmetric state and measure the time until the relay operates.

**Operating Time**  
 Adjust the slide resistor so that the voltage difference applied to the K8AB terminals is equal to or greater than the asymmetry operating value when the auxiliary relay operates, as shown in connection diagram 2. Close the switch and use the cycle counter to measure the operating time.

**Connection Diagram 2**



### Q Checking the Phase Sequence and Phase Loss Operation

**A** **Phase Sequence Operation**  
 Switch the wiring, as shown by the dotted lines in connection diagram 1, to reverse the phase sequence and check that the K8AB operates.

**Phase Loss Operation**  
 Create a phase loss for any input phase and check that the K8AB operates.

### Q Operating Adjustment Knobs

**A** Use a screwdriver to turn the knobs. There is a stopper to prevent the knob from turning any further once it has been turned completely to the left or right. Do not force the knob past these limits.

### Q Load-side Phase Loss

**A** In principle, phase loss cannot be detected on the load side because the K8AB-PA□ measures three-phase voltage to determine phase loss.

**Q Motor Load Phase Loss during Operation**

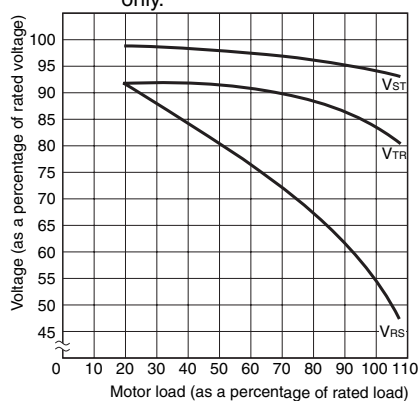
**A** Phase loss cannot be detected for motor loads during operation. Use the asymmetry detection function.

Normally, three-phase motors will continue to rotate even if one phase is open. The three-phase voltage will be induced at the motor terminals. The diagram shows voltage induction at the motor terminals when phase R is lost with a load applied to a three-phase motor. The horizontal axis shows the motor load as a percentage of the rated load, and the vertical axis shows voltage as a percentage of the rated voltage. The lines in the graph show the voltage induced at the motor terminals for each load when phase loss occurs during operation. As the graph shows, phase loss cannot be detected because the motor terminal voltage does not drop very much even if a phase is lost when the load on the motor is light. Use the asymmetry detection function to detect asymmetry in the motor terminal voltages.

Set the operating time carefully because it will affect the time from when the phase loss occurs until tripping when this function is used.

**Characteristic Curve Diagram**

**Note:** This characteristic curve shows the approximate values only.



**Note:** For phase loss of phase R. V<sub>st</sub>, V<sub>tr</sub>, and V<sub>rs</sub> indicate the motor terminal voltage at phase loss.

ALL DIMENSIONS SHOWN ARE IN MILLIMETERS.

To convert millimeters into inches, multiply by 0.03937. To convert grams into ounces, multiply by 0.03527.

In the interest of product improvement, specifications are subject to change without notice.

## Read and Understand This Catalog

Please read and understand this catalog before purchasing the products. Please consult your OMRON representative if you have any questions or comments.

## Warranty and Limitations of Liability

### WARRANTY

OMRON's exclusive warranty is that the products are free from defects in materials and workmanship for a period of one year (or other period if specified) from date of sale by OMRON.

OMRON MAKES NO WARRANTY OR REPRESENTATION, EXPRESS OR IMPLIED, REGARDING NON-INFRINGEMENT, MERCHANTABILITY, OR FITNESS FOR PARTICULAR PURPOSE OF THE PRODUCTS. ANY BUYER OR USER ACKNOWLEDGES THAT THE BUYER OR USER ALONE HAS DETERMINED THAT THE PRODUCTS WILL SUITABLY MEET THE REQUIREMENTS OF THEIR INTENDED USE. OMRON DISCLAIMS ALL OTHER WARRANTIES, EXPRESS OR IMPLIED.

### LIMITATIONS OF LIABILITY

OMRON SHALL NOT BE RESPONSIBLE FOR SPECIAL, INDIRECT, OR CONSEQUENTIAL DAMAGES, LOSS OF PROFITS OR COMMERCIAL LOSS IN ANY WAY CONNECTED WITH THE PRODUCTS, WHETHER SUCH CLAIM IS BASED ON CONTRACT, WARRANTY, NEGLIGENCE, OR STRICT LIABILITY.

In no event shall the responsibility of OMRON for any act exceed the individual price of the product on which liability is asserted.

IN NO EVENT SHALL OMRON BE RESPONSIBLE FOR WARRANTY, REPAIR, OR OTHER CLAIMS REGARDING THE PRODUCTS UNLESS OMRON'S ANALYSIS CONFIRMS THAT THE PRODUCTS WERE PROPERLY HANDLED, STORED, INSTALLED, AND MAINTAINED AND NOT SUBJECT TO CONTAMINATION, ABUSE, MISUSE, OR INAPPROPRIATE MODIFICATION OR REPAIR.

## Application Considerations

### SUITABILITY FOR USE

OMRON shall not be responsible for conformity with any standards, codes, or regulations that apply to the combination of products in the customer's application or use of the products.

At the customer's request, OMRON will provide applicable third party certification documents identifying ratings and limitations of use that apply to the products. This information by itself is not sufficient for a complete determination of the suitability of the products in combination with the end product, machine, system, or other application or use.

The following are some examples of applications for which particular attention must be given. This is not intended to be an exhaustive list of all possible uses of the products, nor is it intended to imply that the uses listed may be suitable for the products:

- Outdoor use, uses involving potential chemical contamination or electrical interference, or conditions or uses not described in this catalog.
- Nuclear energy control systems, combustion systems, railroad systems, aviation systems, medical equipment, amusement machines, vehicles, safety equipment, and installations subject to separate industry or government regulations.
- Systems, machines, and equipment that could present a risk to life or property.

Please know and observe all prohibitions of use applicable to the products.

NEVER USE THE PRODUCTS FOR AN APPLICATION INVOLVING SERIOUS RISK TO LIFE OR PROPERTY WITHOUT ENSURING THAT THE SYSTEM AS A WHOLE HAS BEEN DESIGNED TO ADDRESS THE RISKS, AND THAT THE OMRON PRODUCTS ARE PROPERLY RATED AND INSTALLED FOR THE INTENDED USE WITHIN THE OVERALL EQUIPMENT OR SYSTEM.

### PROGRAMMABLE PRODUCTS

OMRON shall not be responsible for the user's programming of a programmable product, or any consequence thereof.

## Disclaimers

### CHANGE IN SPECIFICATIONS

Product specifications and accessories may be changed at any time based on improvements and other reasons.

It is our practice to change model numbers when published ratings or features are changed, or when significant construction changes are made. However, some specifications of the products may be changed without any notice. When in doubt, special model numbers may be assigned to fix or establish key specifications for your application on your request. Please consult with your OMRON representative at any time to confirm actual specifications of purchased products.

### DIMENSIONS AND WEIGHTS

Dimensions and weights are nominal and are not to be used for manufacturing purposes, even when tolerances are shown.

### PERFORMANCE DATA

Performance data given in this catalog is provided as a guide for the user in determining suitability and does not constitute a warranty. It may represent the result of OMRON's test conditions, and the users must correlate it to actual application requirements. Actual performance is subject to the OMRON Warranty and Limitations of Liability.

### ERRORS AND OMISSIONS

The information in this document has been carefully checked and is believed to be accurate; however, no responsibility is assumed for clerical, typographical, or proofreading errors, or omissions.

2008.12

In the interest of product improvement, specifications are subject to change without notice.

**OMRON Corporation**  
Industrial Automation Company

<http://www.ia.omron.com/>

(c)Copyright OMRON Corporation 2008 All Right Reserved.