



- Surface Mount Power Inductors are designed to handle exceptionally high current while maintaining a low profile
- Toroid electromagnetic emissions are virtually eliminated
- Self leaded design ensures reliability
- Operating temperature range -40°C to 130°C

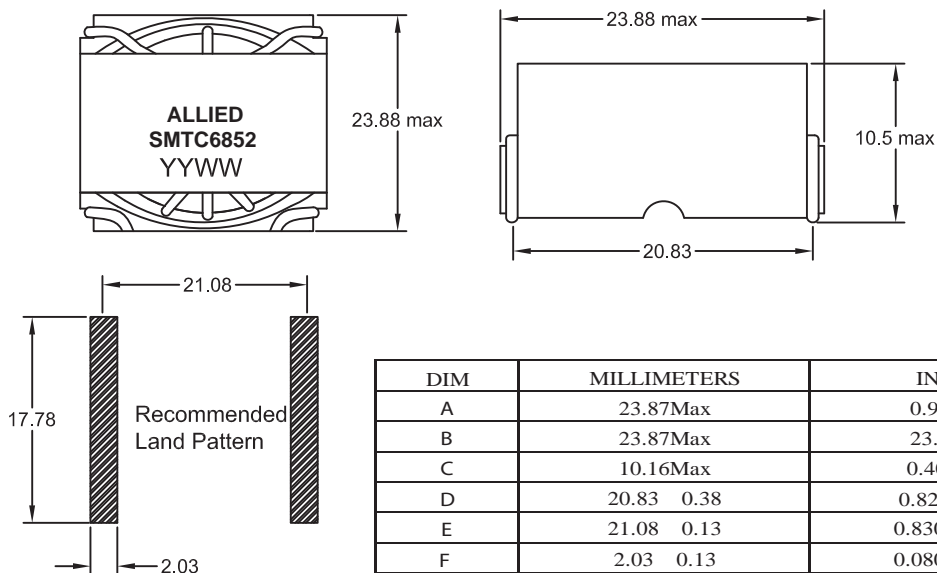


Electrical Specifications @25°C			
Part Number	Inductance @100KHz, 0.1V	DCR	R. Current @ 100KHz, 0.1V
	1-2	1-2	1-2
SMTC6852-110M-RC	11uH±20%	8.2mΩ Max	14A
SMTC6852-380M-RC	38uH±20%*	0.05mΩ Max	3A
SMTC6852-111M-RC	114uH±20%	100mΩ Max	2.22A

*tested @150KHz,0.1V

All specifications subject to change without notice.

MECHANICAL



Unless otherwise specified all tolerances are:±0.25 in mm

SCHEMATICS

