

PLEASE CHECK WWW.MOLEX.COM FOR LATEST PART INFORMATION

Part Number: [0878910206](#)
Status: **Active**
Overview: [kk](#)
Description: 2.54mm (.100") Pitch KK® Header, Through Hole, Breakaway, Vertical, 2 Circuits, 2.54µm (100µ") Tin (Sn) Plating, Tray Packaging, Lead-free

Documents:

[Drawing \(PDF\)](#) [RoHS Certificate of Compliance \(PDF\)](#)
[Product Specification PS-87920-019 \(PDF\)](#)

General

Product Family	PCB Headers
Series	87891
Application	Board-to-Board, Wire-to-Board
Overview	kk
Product Name	KK®

Physical

Breakaway	Yes
Circuits (Loaded)	2
Circuits (maximum)	2
Color - Resin	Black
First Mate / Last Break	No
Glow-Wire Compliant	No
Guide to Mating Part	No
Keying to Mating Part	None
Lock to Mating Part	None
Mated Height (in)	0.230 In
Mated Height (mm)	5.84 mm
Material - Metal	Copper Alloy
Material - Plating Mating	Tin
Material - Plating Termination	Nickel
Material - Resin	Nylon
Number of Rows	1
Orientation	Vertical
PC Tail Length (in)	0.117 In
PC Tail Length (mm)	2.97 mm
PCB Locator	No
PCB Retention	None
PCB Thickness Recommended (in)	0.063 In
PCB Thickness Recommended (mm)	1.60 mm
Packaging Type	Tray
Pitch - Mating Interface (in)	0.100 In
Pitch - Mating Interface (mm)	2.54 mm
Pitch - Term. Interface (in)	0.100 In
Pitch - Term. Interface (mm)	2.54 mm
Plating min: Mating (µin)	100
Plating min: Mating (µm)	2.54
Plating min: Termination (µin)	50
Plating min: Termination (µm)	1.27
Polarized to Mating Part	No
Polarized to PCB	No
Shrouded	No
Stackable	No
Temperature Range - Operating	-55°C to +105°C
Termination Interface: Style	Through Hole

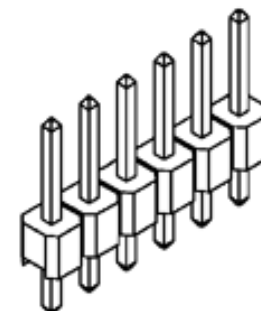


image - Reference only

Series

EU RoHS

ELV and RoHS Compliant
REACH SVHC
 Not Reviewed
Halogen-Free Status
 Not Reviewed

China RoHS



Need more information on product environmental compliance?

Email productcompliance@molex.com
 For a multiple part number RoHS Certificate of Compliance, [click here](#)

Please visit the [Contact Us](#) section for any non-product compliance questions.

Search Parts in this Series

[87891Series](#)

Mates With

KK® PCB Receptacles [4455](#). SL™ IDT Housings [70430](#) , [7720](#), [70400](#). C-Grid® PCB Receptacles [90147](#), [90148](#)

Electrical

Current - Maximum per Contact	3A
Voltage - Maximum	250V

Solder Process Data

Duration at Max. Process Temperature (seconds)	10
Lead-free Process Capability	Wave Capable (TH only)
Max. Cycles at Max. Process Temperature	3
Process Temperature max. C	260

Material Info**Reference - Drawing Numbers**

Packaging Specification	PK-89990-489
Product Specification	PS-87920-019
Sales Drawing	SD-87891-013

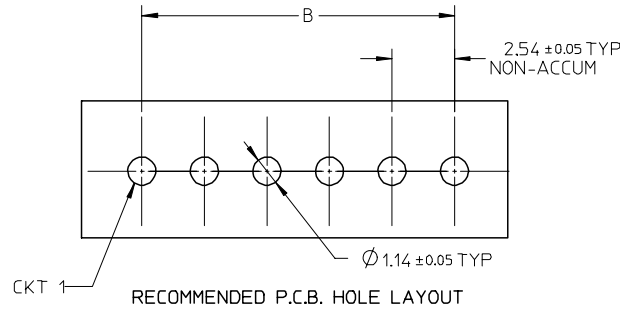
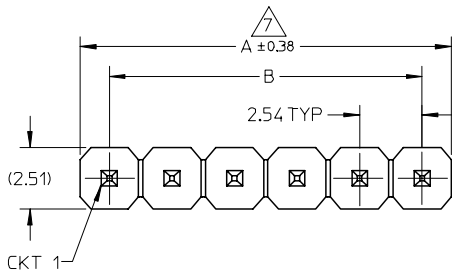
This document was generated on 05/25/2010

PLEASE CHECK WWW.MOLEX.COM FOR LATEST PART INFORMATION

10 9 8 7 6 5 4 3 2 1

F

F

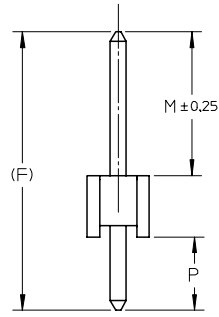
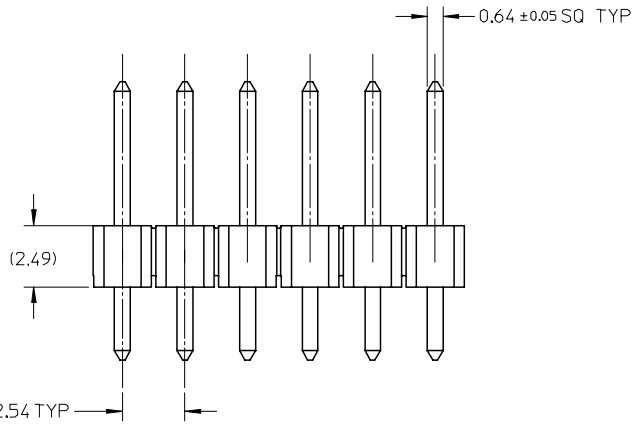


NOTES

1. MATERIAL:
HSG: NYLON, GLASS-FILLED, UL94V-0 COLOR: BLACK
PIN: 0.64MM SQ, COPPER ALLOY
2. PLATING TYPE:
 - (1) GOLD FLASH OVER
1.270µm MIN. NICKEL OVERALL.
 - (2) GOLD FLASH ON CONTACT AND
1.905µm MIN. TIN ON SOLDER TAIL OVER
1.270µm MIN. NICKEL OVERALL.
 - (3) 0.254µm MIN. GOLD PLATE ON CONTACT AND
1.905µm MIN. TIN ON SOLDER TAIL OVER
1.270µm MIN. NICKEL OVERALL.
 - (4) 0.381µm MIN. GOLD PLATE ON CONTACT AND
1.905µm MIN. TIN ON SOLDER TAIL OVER
1.270µm MIN. NICKEL OVERALL.
 - (5) 0.762µm MIN. GOLD PLATE ON CONTACT AND
1.905µm MIN. TIN ON SOLDER TAIL OVER
1.270µm MIN. NICKEL OVERALL.
 - (6) 2.540µm/100µm MIN TIN OVERALL
1.270µm/50µm NICKEL OVERALL
3. PRODUCT SPECIFICATION: PS-87920-019
4. PACKAGING TYPE: SEE TABLE
5. WAFER TO BE FLAT WITHIN 0.003 mm/mm
6. RECOMMENDED PCB THICKNESS IS 1.60mm±0.10
- △ IRREGULAR CIRCUIT CUTOFF WITHIN BREAKAWAY SECTION IS PERMISSIBLE. CUTTING OR CHIPPING OF THE MAIN BODY IS NOT ACCEPTABLE
8. THE ABOVE CKT 6 IS FOR ILLUSTRATION PURPOSE ONLY
9. PACKAGING SPECIFICATION:
TRAY: PK-89990-489
BULK: PK-89990-491

E

D



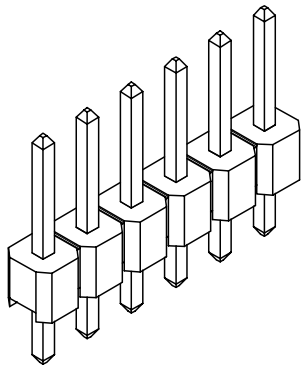
D

C

C

B

B



A

A

EWR# 1023 EC NO: S2007-0289 DRWN:SKLIM01 CHKD:CWAM APPR:KWLEE	2006/09/29 2006/09/29 2006/09/30	DESCRIPTION REV	QUALITY SYMBOLS	GENERAL TOLERANCES (UNLESS SPECIFIED)	DIMENSION STYLE	SCALE	DESIGN UNITS	THIRD ANGLE PROJECTION
			▽=0 ∇=0	mm INCH	MM ONLY	NTS	METRIC	
				4 PLACES ± --- ± --- 3 PLACES ± --- ± --- 2 PLACES ± 0.20 ± --- 1 PLACE ± --- ± ---	DRAWN BY DATE YLQ1A0 2004/11/17 CHECKED BY DATE PTL IM 2004/12/01 APPROVED BY DATE SCLOW 2004/12/06	TITLE	CUSTOM HEADER 2.54MM PITCH, SINGLE ROW SINGLE WAFER, T/H HEADER	
				ANGULAR ± 3 °	MATERIAL NO. SEE TABLE	MOLEX INCORPORATED DOCUMENT NO. SD-87891-013		SHEET NO. 1 OF 8

9 8 7 6 5 4 3 2 1

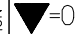
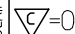
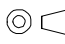

PACKAGING OPTION PART NO.										PACKAGING OPTION PART NO.											
TRAY	BULK	TUBE WITHOUT CAP	CKT SIZE	VOID POSITION	PLATING TYPE	DIMENSION					TRAY	BULK	TUBE WITHOUT CAP	CKT SIZE	VOID POSITION	PLATING TYPE	DIMENSION				
						A	B	F	M	P							A	B	F	M	P
87891-0101	-----	-----	1	-----	1	2.54	----	11.30	5.84	2.97	87891-0401	-----	-----	4	-----	1	10.16	7.62	11.30	5.84	2.97
87891-0102	-----	-----	1	-----	2	2.54	----	11.30	5.84	2.97	87891-0412	-----	-----	4	-----	2	10.16	7.62	11.30	5.84	2.97
87891-0103	-----	-----	1	-----	3	2.54	----	11.30	5.84	2.97	87891-0403	-----	-----	4	-----	3	10.16	7.62	11.30	5.84	2.97
87891-0104	-----	-----	1	-----	4	2.54	----	11.30	5.84	2.97	87891-0404	-----	-----	4	-----	4	10.16	7.62	11.30	5.84	2.97
87891-0105	-----	-----	1	-----	5	2.54	----	11.30	5.84	2.97	87891-0405	-----	-----	4	-----	5	10.16	7.62	11.30	5.84	2.97
87891-0106	-----	-----	1	-----	6	2.54	----	11.30	5.84	2.97	87891-0406	-----	-----	4	-----	6	10.16	7.62	11.30	5.84	2.97
87891-0201	-----	-----	2	-----	1	5.08	2.54	11.30	5.84	2.97	87891-0511	-----	-----	5	-----	1	12.70	10.16	11.30	5.84	2.97
87891-0202	-----	-----	2	-----	2	5.08	2.54	11.30	5.84	2.97	87891-0512	-----	-----	5	-----	2	12.70	10.16	11.30	5.84	2.97
87891-0203	-----	-----	2	-----	3	5.08	2.54	11.30	5.84	2.97	87891-0513	-----	-----	5	-----	3	12.70	10.16	11.30	5.84	2.97
87891-0204	-----	-----	2	-----	4	5.08	2.54	11.30	5.84	2.97	87891-0514	-----	-----	5	-----	4	12.70	10.16	11.30	5.84	2.97
87891-0205	-----	-----	2	-----	5	5.08	2.54	11.30	5.84	2.97	87891-0515	-----	-----	5	-----	5	12.70	10.16	11.30	5.84	2.97
87891-0206	-----	-----	2	-----	6	5.08	2.54	11.30	5.84	2.97	87891-0506	-----	-----	5	-----	6	12.70	10.16	11.30	5.84	2.97
87891-0301	-----	-----	3	-----	1	7.62	5.08	11.30	5.84	2.97	87891-0601	-----	-----	6	-----	1	15.24	12.70	11.30	5.84	2.97
87891-0302	-----	-----	3	-----	2	7.62	5.08	11.30	5.84	2.97	87891-0612	-----	-----	6	-----	2	15.24	12.70	11.30	5.84	2.97
87891-0303	-----	-----	3	-----	3	7.62	5.08	11.30	5.84	2.97	87891-0603	-----	-----	6	-----	3	15.24	12.70	11.30	5.84	2.97
87891-0304	-----	-----	3	-----	4	7.62	5.08	11.30	5.84	2.97	87891-0604	-----	-----	6	-----	4	15.24	12.70	11.30	5.84	2.97
87891-0305	-----	-----	3	-----	5	7.62	5.08	11.30	5.84	2.97	87891-0605	-----	-----	6	-----	5	15.24	12.70	11.30	5.84	2.97
87891-0306	-----	-----	3	-----	6	7.62	5.08	11.30	5.84	2.97	87891-0606	-----	-----	6	-----	6	15.24	12.70	11.30	5.84	2.97

EWR# 1023 EC NO: S2007-0289 DRWNS:KLI M01 2006/09/29 CHKD:CWJAM 2006/09/29 APPR:KWLEE 2006/09/30	QUALITY SYMBOLS =0 =0	GENERAL TOLERANCES (UNLESS SPECIFIED)		DIMENSION STYLE MM ONLY		SCALE NTS	DESIGN UNITS METRIC	THIRD ANGLE PROJECTION			
		4 PLACES ± --- ± --- 3 PLACES ± --- ± --- 2 PLACES ± 0.20 ± --- 1 PLACE ± --- ± ---	mm INCH	DRAWN BY YLQ1A0	DATE 2004/11/17	TITLE CUSTOM HEADER 2.54MM PITCH, SINGLE ROW SINGLE WAFER, T/H HEADER					
		ANGULAR ± 3 °		CHECKED BY PTL IM	DATE 2004/12/01	MOLEX INCORPORATED					
		DRAFT WHERE APPLICABLE MUST REMAIN WITHIN DIMENSIONS		APPROVED BY SCLOW	DATE 2004/12/06	MATERIAL NO. SEE TABLE	DOCUMENT NO. SD-87891-013	SHEET NO. 2 OF 8			

PACKAGING OPTION PART NO.		CKT SIZE	VOID POSITION	PLATING TYPE	DIMENSION					PACKAGING OPTION PART NO.		CKT SIZE	VOID POSITION	PLATING TYPE	DIMENSION							
TRAY	BULK				TUBE WITHOUT CAP	A	B	F	M	P	TRAY				BULK	TUBE WITHOUT CAP	A	B	F	M	P	
F	87891-0711	-----	-----	7	----	1	17.78	15.24	11.30	5.84	2.97	87891-1001	-----	-----	10	----	1	25.40	22.86	11.30	5.84	2.97
	87891-0702	-----	-----	7	----	2	17.78	15.24	11.30	5.84	2.97	87891-1002	-----	-----	10	----	2	25.40	22.86	11.30	5.84	2.97
	87891-0703	-----	-----	7	----	3	17.78	15.24	11.30	5.84	2.97	87891-1003	-----	-----	10	----	3	25.40	22.86	11.30	5.84	2.97
	87891-0704	-----	-----	7	----	4	17.78	15.24	11.30	5.84	2.97	87891-1004	-----	-----	10	----	4	25.40	22.86	11.30	5.84	2.97
	87891-0705	-----	-----	7	----	5	17.78	15.24	11.30	5.84	2.97	87891-1005	-----	-----	10	----	5	25.40	22.86	11.30	5.84	2.97
	87891-0706	-----	-----	7	----	6	17.78	15.24	11.30	5.84	2.97	87891-1006	-----	-----	10	----	6	25.40	22.86	11.30	5.84	2.97
E																						
	87891-0801	-----	-----	8	----	1	20.32	17.78	11.30	5.84	2.97	87891-1101	-----	-----	11	----	1	27.94	25.40	11.30	5.84	2.97
	87891-0802	-----	-----	8	----	2	20.32	17.78	11.30	5.84	2.97	87891-1102	-----	-----	11	----	2	27.94	25.40	11.30	5.84	2.97
	87891-0803	-----	-----	8	----	3	20.32	17.78	11.30	5.84	2.97	87891-1103	-----	-----	11	----	3	27.94	25.40	11.30	5.84	2.97
	87891-0804	-----	-----	8	----	4	20.32	17.78	11.30	5.84	2.97	87891-1104	-----	-----	11	----	4	27.94	25.40	11.30	5.84	2.97
D	87891-0805	-----	-----	8	----	5	20.32	17.78	11.30	5.84	2.97	87891-1105	-----	-----	11	----	5	27.94	25.40	11.30	5.84	2.97
	87891-0806	-----	-----	8	----	6	20.32	17.78	11.30	5.84	2.97	87891-1106	-----	-----	11	----	6	27.94	25.40	11.30	5.84	2.97
	87891-0901	-----	-----	9	----	1	22.86	20.32	11.30	5.84	2.97	87891-1201	-----	-----	12	----	1	30.48	27.94	11.30	5.84	2.97
	87891-0902	-----	-----	9	----	2	22.86	20.32	11.30	5.84	2.97	87891-1202	-----	-----	12	----	2	30.48	27.94	11.30	5.84	2.97
C	87891-0903	-----	-----	9	----	3	22.86	20.32	11.30	5.84	2.97	87891-1203	-----	-----	12	----	3	30.48	27.94	11.30	5.84	2.97
	87891-0904	-----	-----	9	----	4	22.86	20.32	11.30	5.84	2.97	87891-1204	-----	-----	12	----	4	30.48	27.94	11.30	5.84	2.97
	87891-0905	-----	-----	9	----	5	22.86	20.32	11.30	5.84	2.97	87891-1205	-----	-----	12	----	5	30.48	27.94	11.30	5.84	2.97
	87891-0906	-----	-----	9	----	6	22.86	20.32	11.30	5.84	2.97	87891-1206	-----	-----	12	----	6	30.48	27.94	11.30	5.84	2.97
B																						

EWR# 1023 EC NO: S2007-0289 DRWNS:KLI M01 2006/09/29 CHKD:CWJAM 2006/09/29 APPR:KWLEE 2006/09/30	QUALITY SYMBOLS =0 =0	GENERAL TOLERANCES (UNLESS SPECIFIED)		DIMENSION STYLE MM ONLY		SCALE NTS	DESIGN UNITS METRIC	THIRD ANGLE PROJECTION			
		4 PLACES ± --- ± --- 3 PLACES ± --- ± --- 2 PLACES ± 0.20 ± --- 1 PLACE ± --- ± ---	mm INCH	DRAWN BY YLQ1A0	DATE 2004/11/17	TITLE CUSTOM HEADER 2.54MM PITCH, SINGLE ROW SINGLE WAFER, T/H HEADER					
		ANGULAR ± 3 °		CHECKED BY PTL IM	DATE 2004/12/01						
		DRAFT WHERE APPLICABLE MUST REMAIN WITHIN DIMENSIONS		APPROVED BY SCLOW	DATE 2004/12/06	MATERIAL NO. SEE TABLE		DOCUMENT NO. SD-87891-013		SHEET NO. 3 OF 8	

PACKAGING OPTION PART NO.										PACKAGING OPTION PART NO.											
TRAY	BULK	TUBE WITHOUT CAP	CKT SIZE	VOID POSITION	PLATING TYPE	DIMENSION					TRAY	BULK	TUBE WITHOUT CAP	CKT SIZE	VOID POSITION	PLATING TYPE	DIMENSION				
						A	B	F	M	P							A	B	F	M	P
87891-1301	-----	-----	13	-----	1	33.02	30.48	11.30	5.84	2.97	87891-1601	-----	-----	16	-----	1	40.64	38.10	11.30	5.84	2.97
87891-1302	-----	-----	13	-----	2	33.02	30.48	11.30	5.84	2.97	87891-1602	-----	-----	16	-----	2	40.64	38.10	11.30	5.84	2.97
87891-1303	-----	-----	13	-----	3	33.02	30.48	11.30	5.84	2.97	87891-1603	-----	-----	16	-----	3	40.64	38.10	11.30	5.84	2.97
87891-1304	-----	-----	13	-----	4	33.02	30.48	11.30	5.84	2.97	87891-1604	-----	-----	16	-----	4	40.64	38.10	11.30	5.84	2.97
87891-1305	-----	-----	13	-----	5	33.02	30.48	11.30	5.84	2.97	87891-1605	-----	-----	16	-----	5	40.64	38.10	11.30	5.84	2.97
87891-1306	-----	-----	13	-----	6	33.02	30.48	11.30	5.84	2.97	87891-1606	-----	-----	16	-----	6	40.64	38.10	11.30	5.84	2.97
87891-1401	-----	-----	14	-----	1	35.56	33.02	11.30	5.84	2.97	87891-1701	-----	-----	17	-----	1	43.18	40.64	11.30	5.84	2.97
87891-1402	-----	-----	14	-----	2	35.56	33.02	11.30	5.84	2.97	87891-1702	-----	-----	17	-----	2	43.18	40.64	11.30	5.84	2.97
87891-1403	-----	-----	14	-----	3	35.56	33.02	11.30	5.84	2.97	87891-1703	-----	-----	17	-----	3	43.18	40.64	11.30	5.84	2.97
87891-1404	-----	-----	14	-----	4	35.56	33.02	11.30	5.84	2.97	87891-1704	-----	-----	17	-----	4	43.18	40.64	11.30	5.84	2.97
87891-1405	-----	-----	14	-----	5	35.56	33.02	11.30	5.84	2.97	87891-1705	-----	-----	17	-----	5	43.18	40.64	11.30	5.84	2.97
87891-1406	-----	-----	14	-----	6	35.56	33.02	11.30	5.84	2.97	87891-1706	-----	-----	17	-----	6	43.18	40.64	11.30	5.84	2.97
87891-1501	-----	-----	15	-----	1	38.10	35.56	11.30	5.84	2.97	87891-1801	-----	-----	18	-----	1	45.72	43.18	11.30	5.84	2.97
87891-1502	-----	-----	15	-----	2	38.10	35.56	11.30	5.84	2.97	87891-1802	-----	-----	18	-----	2	45.72	43.18	11.30	5.84	2.97
87891-1503	-----	-----	15	-----	3	38.10	35.56	11.30	5.84	2.97	87891-1803	-----	-----	18	-----	3	45.72	43.18	11.30	5.84	2.97
87891-1504	-----	-----	15	-----	4	38.10	35.56	11.30	5.84	2.97	87891-1804	-----	-----	18	-----	4	45.72	43.18	11.30	5.84	2.97
87891-1505	-----	-----	15	-----	5	38.10	35.56	11.30	5.84	2.97	87891-1805	-----	-----	18	-----	5	45.72	43.18	11.30	5.84	2.97
87891-1506	-----	-----	15	-----	6	38.10	35.56	11.30	5.84	2.97	87891-1806	-----	-----	18	-----	6	45.72	43.18	11.30	5.84	2.97

QUALITY SYMBOLS  = 0  = 0	GENERAL TOLERANCES (UNLESS SPECIFIED) <table border="1"> <tr><th colspan="2"></th><th>mm</th><th>INCH</th></tr> <tr><td>4 PLACES</td><td>±</td><td>---</td><td>±</td><td>---</td></tr> <tr><td>3 PLACES</td><td>±</td><td>---</td><td>±</td><td>---</td></tr> <tr><td>2 PLACES</td><td>±</td><td>0.20</td><td>±</td><td>---</td></tr> <tr><td>1 PLACE</td><td>±</td><td>---</td><td>±</td><td>---</td></tr> </table>			mm	INCH	4 PLACES	±	---	±	---	3 PLACES	±	---	±	---	2 PLACES	±	0.20	±	---	1 PLACE	±	---	±	---	DIMENSION STYLE MM ONLY	SCALE NTS	DESIGN UNITS METRIC	 THIRD ANGLE PROJECTION	TITLE CUSTOM HEADER 2.54MM PITCH, SINGLE ROW SINGLE WAFER, T/H HEADER	 MOLEX INCORPORATED	SHEET NO. 4 OF 8
				mm	INCH																											
		4 PLACES	±	---	±	---																										
		3 PLACES	±	---	±	---																										
2 PLACES	±	0.20	±	---																												
1 PLACE	±	---	±	---																												
DESCRIPTION DRAFT WHERE APPLICABLE MUST REMAIN WITHIN DIMENSIONS	DRAWN BY YLQ1A0	DATE 2004/11/17	APPROVED BY PTL IM	DATE 2004/12/01	DOCUMENT NO. SD-87891-013																											
REV B	MATERIAL NO. SCLOW	DATE 2004/12/06	SIZE A3	THIS DRAWING CONTAINS INFORMATION THAT IS PROPRIETARY TO MOLEX INCORPORATED AND SHOULD NOT BE USED WITHOUT WRITTEN PERMISSION																												
REV B	DESCRIPTION EWR# 1023 EC NO: S2007-0289 DRWNS:KLI M01 2006/09/29 CHKD:CWJAM 2006/09/29 APPR:KWLEE 2006/09/30																															

PACKAGING OPTION PART NO.		CKT SIZE	VOID POSITION	PLATING TYPE	DIMENSION					PACKAGING OPTION PART NO.		CKT SIZE	VOID POSITION	PLATING TYPE	DIMENSION								
TRAY	BULK				TUBE WITHOUT CAP	A	B	F	M	P	TRAY				BULK	TUBE WITHOUT CAP	A	B	F	M	P		
F	87891-1901	-----	-----	19	----	1	48.26	45.72	11.30	5.84	2.97	87891-2201	-----	-----	22	----	1	55.88	53.34	11.30	5.84	2.97	F
	87891-1902	-----	-----	19	----	2	48.26	45.72	11.30	5.84	2.97	87891-2202	-----	-----	22	----	2	55.88	53.34	11.30	5.84	2.97	
	87891-1903	-----	-----	19	----	3	48.26	45.72	11.30	5.84	2.97	87891-2203	-----	-----	22	----	3	55.88	53.34	11.30	5.84	2.97	
	87891-1904	-----	-----	19	----	4	48.26	45.72	11.30	5.84	2.97	87891-2204	-----	-----	22	----	4	55.88	53.34	11.30	5.84	2.97	
	87891-1905	-----	-----	19	----	5	48.26	45.72	11.30	5.84	2.97	87891-2205	-----	-----	22	----	5	55.88	53.34	11.30	5.84	2.97	
	87891-1906	-----	-----	19	----	6	48.26	45.72	11.30	5.84	2.97	87891-2206	-----	-----	22	----	6	55.88	53.34	11.30	5.84	2.97	
E																							E
	87891-2001	-----	-----	20	----	1	50.80	48.26	11.30	5.84	2.97	87891-2301	-----	-----	23	----	1	58.42	55.88	11.30	5.84	2.97	
	87891-2002	-----	-----	20	----	2	50.80	48.26	11.30	5.84	2.97	87891-2302	-----	-----	23	----	2	58.42	55.88	11.30	5.84	2.97	
	87891-2003	-----	-----	20	----	3	50.80	48.26	11.30	5.84	2.97	87891-2303	-----	-----	23	----	3	58.42	55.88	11.30	5.84	2.97	
	87891-2004	-----	-----	20	----	4	50.80	48.26	11.30	5.84	2.97	87891-2304	-----	-----	23	----	4	58.42	55.88	11.30	5.84	2.97	
D	87891-2005	-----	-----	20	----	5	50.80	48.26	11.30	5.84	2.97	87891-2305	-----	-----	23	----	5	58.42	55.88	11.30	5.84	2.97	D
	87891-2006	-----	-----	20	----	6	50.80	48.26	11.30	5.84	2.97	87891-2306	-----	-----	23	----	6	58.42	55.88	11.30	5.84	2.97	
	87891-2101	-----	-----	21	----	1	53.34	50.80	11.30	5.84	2.97	87891-2401	-----	-----	24	----	1	60.96	58.42	11.30	5.84	2.97	
	87891-2102	-----	-----	21	----	2	53.34	50.80	11.30	5.84	2.97	87891-2402	-----	-----	24	----	2	60.96	58.42	11.30	5.84	2.97	
C	87891-2103	-----	-----	21	----	3	53.34	50.80	11.30	5.84	2.97	87891-2403	-----	-----	24	----	3	60.96	58.42	11.30	5.84	2.97	C
	87891-2104	-----	-----	21	----	4	53.34	50.80	11.30	5.84	2.97	87891-2404	-----	-----	24	----	4	60.96	58.42	11.30	5.84	2.97	
	87891-2105	-----	-----	21	----	5	53.34	50.80	11.30	5.84	2.97	87891-2405	-----	-----	24	----	5	60.96	58.42	11.30	5.84	2.97	
	87891-2106	-----	-----	21	----	6	53.34	50.80	11.30	5.84	2.97	87891-2406	-----	-----	24	----	6	60.96	58.42	11.30	5.84	2.97	
B																							B

EWB# 1023 EC NO: S2007-0289 DRWNS:SKLIM01 2006/09/29 CHKD:CWLAM 2006/09/29 APPR:KWLEE 2006/09/30	QUALITY SYMBOLS =0 =0	GENERAL TOLERANCES (UNLESS SPECIFIED)		DIMENSION STYLE MM ONLY		SCALE NTS	DESIGN UNITS METRIC	THIRD ANGLE PROJECTION			
		4 PLACES ± --- ± --- 3 PLACES ± --- ± --- 2 PLACES ± 0.20 ± --- 1 PLACE ± --- ± ---	mm INCH	DRAWN BY YLQ1A0	DATE 2004/11/17	TITLE CUSTOM HEADER 2.54MM PITCH, SINGLE ROW SINGLE WAFER, T/H HEADER					
		ANGULAR ± 3 °		CHECKED BY PTLIM	DATE 2004/12/01	MOLEX INCORPORATED					
		DRAFT WHERE APPLICABLE MUST REMAIN WITHIN DIMENSIONS		APPROVED BY SCLOW	DATE 2004/12/06	MATERIAL NO. SEE TABLE	DOCUMENT NO. SD-87891-013	SHEET NO. 5 OF 8			

PACKAGING OPTION PART NO.										PACKAGING OPTION PART NO.												
TRAY	BULK	TUBE WITHOUT CAP	CKT SIZE	VOID POSITION	PLATING TYPE	DIMENSION					TRAY	BULK	TUBE WITHOUT CAP	CKT SIZE	VOID POSITION	PLATING TYPE	DIMENSION					
						A	B	F	M	P							A	B	F	M	P	
F	87891-2501	-----	-----	25	----	1	63.50	60.96	11.30	5.84	2.97	-----	87891-2801	-----	28	----	1	71.12	68.58	11.30	5.84	2.97
	87891-2502	-----	-----	25	----	2	63.50	60.96	11.30	5.84	2.97	-----	87891-2802	-----	28	----	2	71.12	68.58	11.30	5.84	2.97
	87891-2503	-----	-----	25	----	3	63.50	60.96	11.30	5.84	2.97	-----	87891-2803	-----	28	----	3	71.12	68.58	11.30	5.84	2.97
	87891-2504	-----	-----	25	----	4	63.50	60.96	11.30	5.84	2.97	-----	87891-2804	-----	28	----	4	71.12	68.58	11.30	5.84	2.97
	87891-2505	-----	-----	25	----	5	63.50	60.96	11.30	5.84	2.97	-----	87891-2805	-----	28	----	5	71.12	68.58	11.30	5.84	2.97
	87891-2506	-----	-----	25	----	6	63.50	60.96	11.30	5.84	2.97	-----	87891-2806	-----	28	----	6	71.12	68.58	11.30	5.84	2.97
E																						
	-----	87891-2611	-----	26	----	1	66.04	63.50	11.30	5.84	2.97	-----	87891-2901	-----	29	----	1	73.66	71.12	11.30	5.84	2.97
	-----	87891-2602	-----	26	----	2	66.04	63.50	11.30	5.84	2.97	-----	87891-2902	-----	29	----	2	73.66	71.12	11.30	5.84	2.97
	-----	87891-2603	-----	26	----	3	66.04	63.50	11.30	5.84	2.97	-----	87891-2903	-----	29	----	3	73.66	71.12	11.30	5.84	2.97
	-----	87891-2604	-----	26	----	4	66.04	63.50	11.30	5.84	2.97	-----	87891-2904	-----	29	----	4	73.66	71.12	11.30	5.84	2.97
D	-----	87891-2605	-----	26	----	5	66.04	63.50	11.30	5.84	2.97	-----	87891-2905	-----	29	----	5	73.66	71.12	11.30	5.84	2.97
	-----	87891-2606	-----	26	----	6	66.04	63.50	11.30	5.84	2.97	-----	87891-2906	-----	29	----	6	73.66	71.12	11.30	5.84	2.97
	-----	87891-2701	-----	27	----	1	68.58	66.04	11.30	5.84	2.97	-----	87891-3001	-----	30	----	1	76.20	73.66	11.30	5.84	2.97
	-----	87891-2702	-----	27	----	2	68.58	66.04	11.30	5.84	2.97	-----	87891-3002	-----	30	----	2	76.20	73.66	11.30	5.84	2.97
C	-----	87891-2703	-----	27	----	3	68.58	66.04	11.30	5.84	2.97	-----	87891-3003	-----	30	----	3	76.20	73.66	11.30	5.84	2.97
	-----	87891-2704	-----	27	----	4	68.58	66.04	11.30	5.84	2.97	-----	87891-3004	-----	30	----	4	76.20	73.66	11.30	5.84	2.97
	-----	87891-2705	-----	27	----	5	68.58	66.04	11.30	5.84	2.97	-----	87891-3005	-----	30	----	5	76.20	73.66	11.30	5.84	2.97
	-----	87891-2706	-----	27	----	6	68.58	66.04	11.30	5.84	2.97	-----	87891-3006	-----	30	----	6	76.20	73.66	11.30	5.84	2.97
B																						

EWR# 1023 EC NO: S2007-0289 DRWNS:KLI M01 CHKD:CWJAM APPR:KWLEE	2006/09/29 2006/09/29 2006/09/30	DESCRIPTION REV	QUALITY SYMBOLS ▽=0 ▽=0	GENERAL TOLERANCES (UNLESS SPECIFIED) <table border="1"> <tr><th colspan="2">mm</th><th colspan="2">INCH</th></tr> <tr><td>4 PLACES</td><td>± ---</td><td>± ---</td><td>± ---</td></tr> <tr><td>3 PLACES</td><td>± ---</td><td>± ---</td><td>± ---</td></tr> <tr><td>2 PLACES</td><td>± 0.20</td><td>± ---</td><td>± ---</td></tr> <tr><td>1 PLACE</td><td>± ---</td><td>± ---</td><td>± ---</td></tr> </table>	mm		INCH		4 PLACES	± ---	± ---	± ---	3 PLACES	± ---	± ---	± ---	2 PLACES	± 0.20	± ---	± ---	1 PLACE	± ---	± ---	± ---	DIMENSION STYLE MM ONLY	SCALE NTS	DESIGN UNITS METRIC	THIRD ANGLE PROJECTION
			mm		INCH																							
			4 PLACES	± ---	± ---	± ---																						
			3 PLACES	± ---	± ---	± ---																						
2 PLACES	± 0.20	± ---	± ---																									
1 PLACE	± ---	± ---	± ---																									
DRAWN BY YLQ1A0	DATE 2004/11/17	TITLE CUSTOM HEADER 2.54MM PITCH, SINGLE ROW SINGLE WAFER, T/H HEADER																										
CHECKED BY PTL IM	DATE 2004/12/01	MOLEX INCORPORATED																										
APPROVED BY SCLOW	DATE 2004/12/06	MATERIAL NO. SEE TABLE	DOCUMENT NO. SD-87891-013	SHEET NO. 6 OF 8																								

PACKAGING OPTION PART NO.										PACKAGING OPTION PART NO.													
TRAY	BULK	TUBE WITHOUT CAP	CKT SIZE	VOID POSITION	PLATING TYPE	DIMENSION					TRAY	BULK	TUBE WITHOUT CAP	CKT SIZE	VOID POSITION	PLATING TYPE	DIMENSION						
						A	B	F	M	P							A	B	F	M	P		
F	-----	87891-3101	-----	31	-----	1	78.74	76.20	11.30	5.84	2.97	-----	87891-3401	-----	34	-----	1	86.36	83.82	11.30	5.84	2.97	F
	-----	87891-3102	-----	31	-----	2	78.74	76.20	11.30	5.84	2.97	-----	87891-3402	-----	34	-----	2	86.36	83.82	11.30	5.84	2.97	
	-----	87891-3103	-----	31	-----	3	78.74	76.20	11.30	5.84	2.97	-----	87891-3403	-----	34	-----	3	86.36	83.82	11.30	5.84	2.97	
	-----	87891-3104	-----	31	-----	4	78.74	76.20	11.30	5.84	2.97	-----	87891-3404	-----	34	-----	4	86.36	83.82	11.30	5.84	2.97	
	-----	87891-3105	-----	31	-----	5	78.74	76.20	11.30	5.84	2.97	-----	87891-3405	-----	34	-----	5	86.36	83.82	11.30	5.84	2.97	
	-----	87891-3106	-----	31	-----	6	78.74	76.20	11.30	5.84	2.97	-----	87891-3406	-----	34	-----	6	86.36	83.82	11.30	5.84	2.97	
E																							E
	-----	87891-3201	-----	32	-----	1	81.28	78.74	11.30	5.84	2.97	-----	87891-3501	-----	35	-----	1	88.90	86.36	11.30	5.84	2.97	
	-----	87891-3202	-----	32	-----	2	81.28	78.74	11.30	5.84	2.97	-----	87891-3502	-----	35	-----	2	88.90	86.36	11.30	5.84	2.97	
	-----	87891-3203	-----	32	-----	3	81.28	78.74	11.30	5.84	2.97	-----	87891-3503	-----	35	-----	3	88.90	86.36	11.30	5.84	2.97	
	-----	87891-3204	-----	32	-----	4	81.28	78.74	11.30	5.84	2.97	-----	87891-3504	-----	35	-----	4	88.90	86.36	11.30	5.84	2.97	
D	-----	87891-3205	-----	32	-----	5	81.28	78.74	11.30	5.84	2.97	-----	87891-3505	-----	35	-----	5	88.90	86.36	11.30	5.84	2.97	D
	-----	87891-3206	-----	32	-----	6	81.28	78.74	11.30	5.84	2.97	-----	87891-3506	-----	35	-----	6	88.90	86.36	11.30	5.84	2.97	
	-----	87891-3301	-----	33	-----	1	83.82	81.28	11.30	5.84	2.97	-----	87891-3611	-----	36	-----	1	91.44	88.90	11.30	5.84	2.97	
	-----	87891-3302	-----	33	-----	2	83.82	81.28	11.30	5.84	2.97	-----	87891-3602	-----	36	-----	2	91.44	88.90	11.30	5.84	2.97	
C	-----	87891-3303	-----	33	-----	3	83.82	81.28	11.30	5.84	2.97	-----	87891-3603	-----	36	-----	3	91.44	88.90	11.30	5.84	2.97	C
	-----	87891-3304	-----	33	-----	4	83.82	81.28	11.30	5.84	2.97	-----	87891-3604	-----	36	-----	4	91.44	88.90	11.30	5.84	2.97	
	-----	87891-3305	-----	33	-----	5	83.82	81.28	11.30	5.84	2.97	-----	87891-3605	-----	36	-----	5	91.44	88.90	11.30	5.84	2.97	
	-----	87891-3306	-----	33	-----	6	83.82	81.28	11.30	5.84	2.97	-----	87891-3606	-----	36	-----	6	91.44	88.90	11.30	5.84	2.97	
B																							B

EWB# 1023 EC NO: S2007-0289 DRWNS:KLI M01 2006/09/29 CHKD:CWJAM 2006/09/29 APPR:KWLEE 2006/09/30	QUALITY SYMBOLS =0 =0	GENERAL TOLERANCES (UNLESS SPECIFIED)		DIMENSION STYLE MM ONLY		SCALE NTS	DESIGN UNITS METRIC	THIRD ANGLE PROJECTION			
		4 PLACES ± --- ± --- 3 PLACES ± --- ± --- 2 PLACES ± 0.20 ± --- 1 PLACE ± --- ± ---	mm INCH	DRAWN BY YLQIAO	DATE 2004/11/17	TITLE CUSTOM HEADER 2.54MM PITCH, SINGLE ROW SINGLE WAFER, T/H HEADER					
		ANGULAR ± 3 °		CHECKED BY PTL IM	DATE 2004/12/01	MOLEX INCORPORATED					
		DRAFT WHERE APPLICABLE MUST REMAIN WITHIN DIMENSIONS		APPROVED BY SCLOW	DATE 2004/12/06	MATERIAL NO. SEE TABLE	DOCUMENT NO. SD-87891-013	SHEET NO. 7 OF 8			

PACKAGING OPTION PART NO.										PACKAGING OPTION PART NO.												
TRAY	BULK	TUBE WITHOUT CAP	CKT SIZE	VOID POSITION	PLATING TYPE	DIMENSION					TRAY	BULK	TUBE WITHOUT CAP	CKT SIZE	VOID POSITION	PLATING TYPE	DIMENSION					
						A	B	F	M	P							A	B	F	M	P	
F	-----	87891-3701	-----	37	-----	1	93.98	91.44	11.30	5.84	2.97	-----	87891-4001	-----	40	-----	1	101.60	99.06	11.30	5.84	2.97
	-----	87891-3702	-----	37	-----	2	93.98	91.44	11.30	5.84	2.97	-----	87891-4002	-----	40	-----	2	101.60	99.06	11.30	5.84	2.97
	-----	87891-3703	-----	37	-----	3	93.98	91.44	11.30	5.84	2.97	-----	87891-4003	-----	40	-----	3	101.60	99.06	11.30	5.84	2.97
	-----	87891-3704	-----	37	-----	4	93.98	91.44	11.30	5.84	2.97	-----	87891-4004	-----	40	-----	4	101.60	99.06	11.30	5.84	2.97
	-----	87891-3705	-----	37	-----	5	93.98	91.44	11.30	5.84	2.97	-----	87891-4005	-----	40	-----	5	101.60	99.06	11.30	5.84	2.97
	-----	87891-3706	-----	37	-----	6	93.98	91.44	11.30	5.84	2.97	-----	87891-4006	-----	40	-----	6	101.60	99.06	11.30	5.84	2.97
E																						
	-----	87891-3801	-----	38	-----	1	96.52	93.98	11.30	5.84	2.97											
	-----	87891-3802	-----	38	-----	2	96.52	93.98	11.30	5.84	2.97											
	-----	87891-3803	-----	38	-----	3	96.52	93.98	11.30	5.84	2.97											
	-----	87891-3804	-----	38	-----	4	96.52	93.98	11.30	5.84	2.97											
D	-----	87891-3805	-----	38	-----	5	96.52	93.98	11.30	5.84	2.97											
	-----	87891-3806	-----	38	-----	6	96.52	93.98	11.30	5.84	2.97											
	-----	87891-3901	-----	39	-----	1	99.06	96.52	11.30	5.84	2.97											
	-----	87891-3902	-----	39	-----	2	99.06	96.52	11.30	5.84	2.97											
C	-----	87891-3903	-----	39	-----	3	99.06	96.52	11.30	5.84	2.97											
	-----	87891-3904	-----	39	-----	4	99.06	96.52	11.30	5.84	2.97											
	-----	87891-3905	-----	39	-----	5	99.06	96.52	11.30	5.84	2.97											
	-----	87891-3906	-----	39	-----	6	99.06	96.52	11.30	5.84	2.97											
B																						

EWB# 1023 EC NO: S2007-0289 DRWNS:KLI M01 CHKD:CLAM APPR:KWLEE	2006/09/29 2006/09/29 2006/09/30	DESCRIPTION REV	QUALITY SYMBOLS ▽=0 ▽=0	GENERAL TOLERANCES (UNLESS SPECIFIED) <table border="1"> <tr><th colspan="2">mm</th><th colspan="2">INCH</th></tr> <tr><td>4 PLACES</td><td>± ---</td><td>± ---</td><td>± ---</td></tr> <tr><td>3 PLACES</td><td>± ---</td><td>± ---</td><td>± ---</td></tr> <tr><td>2 PLACES</td><td>± 0.20</td><td>± ---</td><td>± ---</td></tr> <tr><td>1 PLACE</td><td>± ---</td><td>± ---</td><td>± ---</td></tr> </table>	mm		INCH		4 PLACES	± ---	± ---	± ---	3 PLACES	± ---	± ---	± ---	2 PLACES	± 0.20	± ---	± ---	1 PLACE	± ---	± ---	± ---	DIMENSION STYLE MM ONLY	SCALE NTS	DESIGN UNITS METRIC	THIRD ANGLE PROJECTION
			mm		INCH																							
			4 PLACES	± ---	± ---	± ---																						
			3 PLACES	± ---	± ---	± ---																						
2 PLACES	± 0.20	± ---	± ---																									
1 PLACE	± ---	± ---	± ---																									
DRAWN BY YLQIAO	DATE 2004/11/17	TITLE CUSTOM HEADER 2.54MM PITCH, SINGLE ROW SINGLE WAFER, T/H HEADER																										
CHECKED BY PTL IM	DATE 2004/12/01	MOLEX INCORPORATED																										
APPROVED BY SCLOW	DATE 2004/12/06	MATERIAL NO. SEE TABLE	DOCUMENT NO. SD-87891-013	SHEET NO. 8 OF 8																								