



actual size

# Oscillator · JO53 · 5.0 V

SMD Oscillator with Stop Function · 5.0 x 3.2 mm

- reflow soldering temperature: 260 °C max.
- ceramic/metal package



## General Data

type	JO53 5.0 V
frequency range	0.50 ~ 110.0 MHz (15pF max.)
	0.50 ~ 50.00 MHz (30pF max.)
frequency stability over all*	± 20 ppm ~ ± 100 ppm (table 1)
current consumption	see table 2
supply voltage V <sub>DC</sub>	5.0 V ± 5%
temperature	operating -10 °C ~ +70 °C / -40 °C ~ +85 °C
	storage -55 °C ~ +125 °C
output	rise & fall time see table 3
	load max 15pF / 30pF
	current max. 8mA
	low level max. 0.1 x V <sub>DC</sub>
	high level min. 0.9 x V <sub>DC</sub>
output enable time max.	10ms
output disable time max.	100ns
start-up time max.	10ms
standby function	stop
standby current max.	10µA
phase jitter 12 kHz ~ 20.0 MHz	< 1.0ps RMS
symmetry at 0.5 x V <sub>DC</sub>	45% ~ 55% typ. (40% ~ 60% max.)

Table 1: Frequency Stability Code

stability code	A	B	G	C	D
	± 100 ppm	± 50 ppm	± 30 ppm	± 25 ppm	± 20 ppm
-10 °C ~ +70 °C		●	○	○	△
-40 °C ~ +85 °C	●	●	○	○	

● standard ○ available △ excludes aging

\* includes stability at 25 °C, operating temp. range, supply voltage change, shock and vibration, aging 1st year.

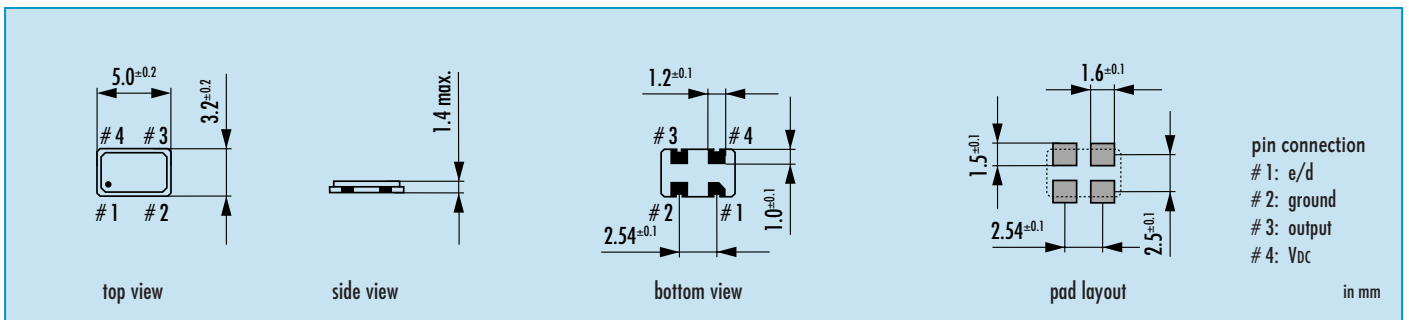
Table 2: Current Consumption max.

Current at 15pF load		Current at 30pF load	
0.5 ~ 14.9 MHz	10 mA	0.5 ~ 14.9 MHz	15 mA
15.0 ~ 29.9 MHz	15 mA	15.0 ~ 29.9 MHz	20 mA
30.0 ~ 39.9 MHz	25 mA	30.0 ~ 50.0 MHz	40 mA
40.0 ~ 49.9 MHz	35 mA		
50.0 ~ 59.9 MHz	40 mA		
60.0 ~ 79.9 MHz	45 mA		
80.0 ~ 110.0 MHz	50 mA		

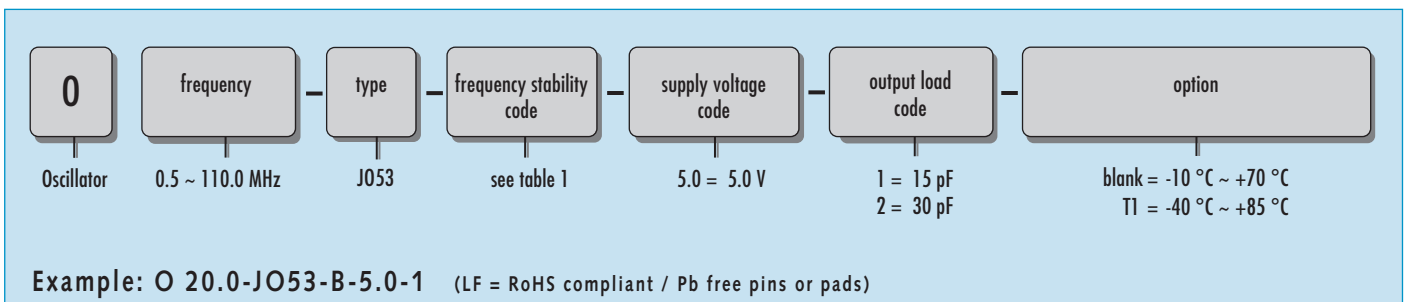
Table 3: Rise & Fall Time max.

6 ns: 0.5 ~ 1.79 MHz	<b>note:</b> - specific data on request - rise time: 0.1 V <sub>DC</sub> ~ 0.9 V <sub>DC</sub> - fall time: 0.9 V <sub>DC</sub> ~ 0.1 V <sub>DC</sub>
5 ns: 1.80 ~ 49.99 MHz	
4 ns: 50.0 ~ 110.00 MHz	

## Dimensions

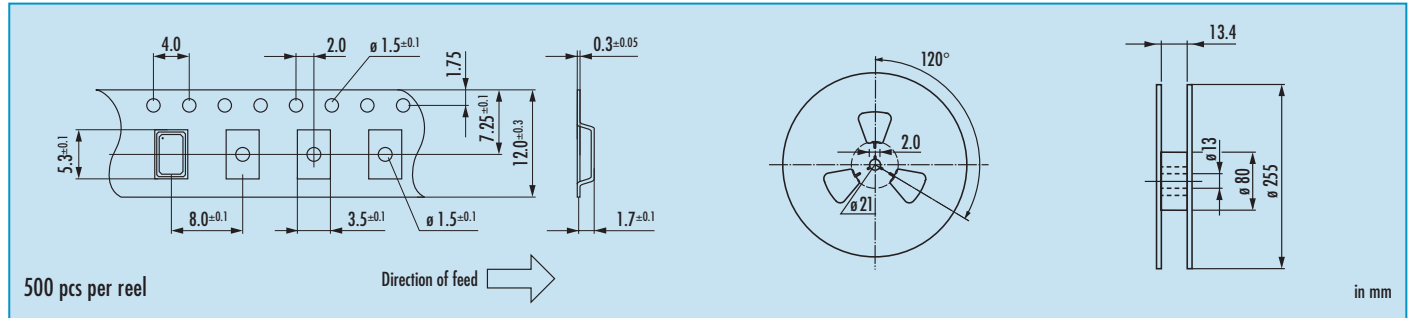


## Order Information



# Oscillator · JO53 · 5.0 V · Stop Function

## Taping Specification



## Enable / Disable Function

<b>pin #1 (e/d control)</b>	<b>pin #3 (output)</b>
open	active
high "1" ( $V_{IH} \geq 0.8 V_{DC}$ )	active
low "0" ( $V_{IL} \leq 0.2 V_{DC}$ )	high impedance
<b>stop function:</b>	
<ul style="list-style-type: none"> <li>• oscillator stops</li> <li>• output high impedance</li> </ul>	

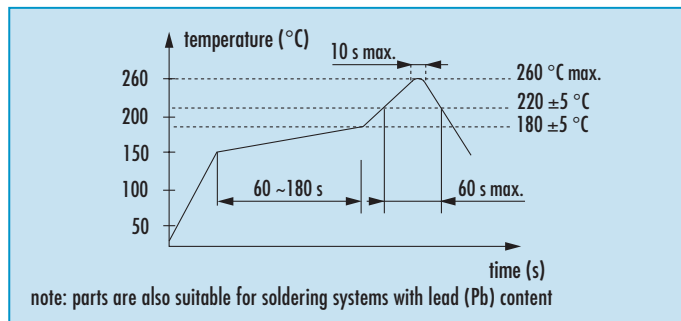
## Marking

frequency type / date code

date code:  
 A ~ M: Jan. - Dec.  
 5: 2005  
 6: 2006  
 7: 2007

Jan.	Febr.	Mar.	Apr.	May	June
A	B	C	D	E	F
July	Aug.	Sept.	Oct.	Nov.	Dec.
G	H	J	K	L	M

## Reflow Soldering Profile



## Packing Note

- standard packing units are 500 pieces per reel
- non-multiple packing units are only supplied taped / bulk