

**PLEASE CHECK WWW.MOLEX.COM FOR LATEST PART INFORMATION**

**Part Number:** [0945294206](#)  
**Status:** **Active**  
**Description:** 5.00mm (.197") Pitch RAST, Receptacle, Black Color, PA Polyamide (Nylon) 6/6, 6 Circuits, Glow Wire Compatible

**Documents:**

<a href="#">Drawing (PDF)</a>	<a href="#">Product Specification PS-94529-002 (PDF)</a>
<a href="#">Product Specification PS-94529-001 (PDF)</a>	<a href="#">RoHS Certificate of Compliance (PDF)</a>

**Agency Certification**

UL	E29179
----	--------

**General**

Product Family	Crimp Housings
Series	<a href="#">94529</a>
Product Name	Pitch 5 Edge Card

**Physical**

Circuits (maximum)	6
Color - Resin	Black
Flammability	94V-0
Gender	Female
Glow-Wire Compliant	Yes
Lock to Mating Part	Yes
Material - Resin	Nylon
Number of Rows	1
Packaging Type	Bag
Panel Mount	No
Pitch - Mating Interface (in)	0.197 In
Pitch - Mating Interface (mm)	5.00 mm
Pitch - Term. Interface (in)	0.197 In
Pitch - Term. Interface (mm)	5.00 mm
Polarized to Mating Part	Yes
Ports	1
Stackable	No
Temperature Range - Operating	-40°C to +105°C, -40°C to +85°C

**Electrical**

Current - Maximum per Contact	6A
-------------------------------	----

**Material Info**

**Reference - Drawing Numbers**

Product Specification	PS-94529-001, PS-94529-002
Sales Drawing	SD-94529-008

**EU RoHS**

**ELV and RoHS  
Compliant**  
**REACH SVHC  
Not Reviewed**  
**Halogen-Free  
Status  
Not Reviewed**

**China RoHS**



**Need more information on product environmental compliance?**

Email [productcompliance@molex.com](mailto:productcompliance@molex.com)  
 For a multiple part number RoHS Certificate of Compliance, [click here](#)

Please visit the [Contact Us](#) section for any non-product compliance questions.

**Search Parts in this Series**

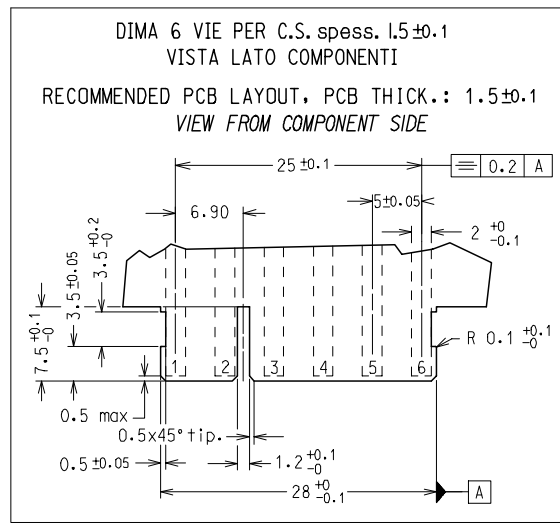
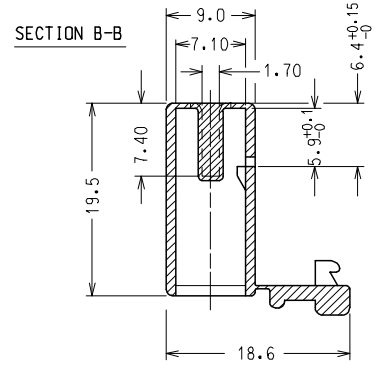
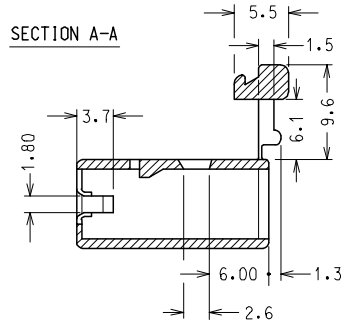
[94529Series](#)

**Mates With**

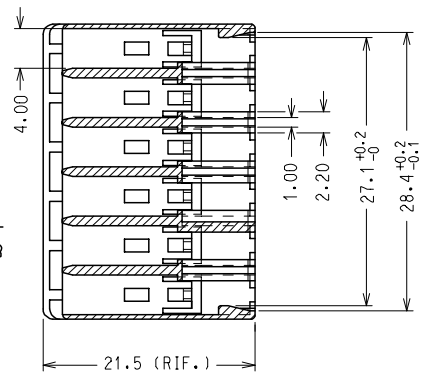
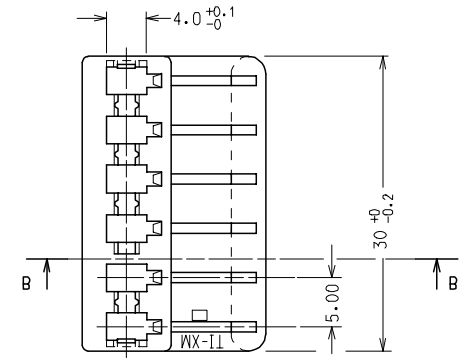
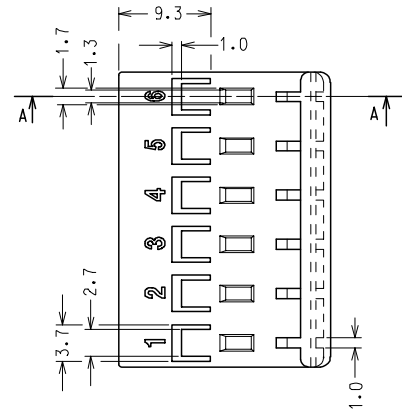
PCB thickness 1.50mm (.059")

**Use With**

[94529-1203 Terminal](#)



CODICE P/N	MATERIAL AND COLOR
94529-9106	NYLON 66 UL94 V2 NATURAL
94529-9206	NYLON 66 UL94 V2 BLACK
94529-7106	NYLON 66 UL94 V0 NATURAL
94529-7206	NYLON 66 UL94 V0 GREY
94529-4106	NYLON 6.6 GWT 750°C sec. IEC 60335-1 TEST METHOD IEC 60695-2-11 NATURAL



NOTA: LE DIMENSIONI VANNO MISURATE CON CORPI STABILIZZATI SECONDO NG 2301. (AUMENTO IN PESO DEL 2.7 %)

NOTE: PARTS SHALL BE DIMENSIONALLY CHECKED AFTER ATTAINING EQUILIBRIUM CONDITIONS E.G. 27% INCREASE IN WEIGHT FOR HUMIDITY ABSORPTION FROM DRY STATUS.

CARATTERISTICHE PRODOTTO SECONDO PS-94529  
PRODUCT CHARACTERISTICS ACCORDING TO PS-94529 E

CONFEZIONE: 2000 pz. IN SCATOLA  
PACKAGING: 2000 pcs IN CARTON BOX

SPQ: 2000 pz. Descr. Std: HSG FOR FORK TERMINAL 6 CKT

EC NO: Z2006-0051 DRWN: FGOTTARD2005/10/12 CHKD: RSANDAN2005/10/12 APPR: GZUIN 2005/10/14	QUALITY SYMBOLS	GENERAL TOLERANCES (UNLESS SPECIFIED)	SCALE 2:1	DESIGN UNITS METRIC	FIRST ANGLE PROJECTION	REVISE ON CAD ONLY
	▽ -0	4 PLACES ± ---	mm	DIMENSION STYLE MM ONLY	TITLE 6 CKT HOUSING FOR STRAIGHT FORK TERMINAL	
	▽ -0	3 PLACES ± ---	INCH	DRAWN BY DATE		
	▽ -0	2 PLACES ± 0.1	1 PLACE ± 0.2	ANGULAR ± 2 °	FGOTTARD 1995/10/25	
A4	REV	DRAFT WHERE APPLICABLE MUST REMAIN WITHIN DIMENSIONS	APPROVED BY DATE	SSORATO 1995/10/25	MATERIAL NO. DOCUMENT NO. SHEET NO.	
			RMARTUCC 1995/10/25	SEE TAB. SD-94529-008 1 OF 1		
THIS DRAWING CONTAINS INFORMATION THAT IS PROPRIETARY TO MOLEX INCORPORATED AND SHOULD NOT BE USED WITHOUT WRITTEN PERMISSION						