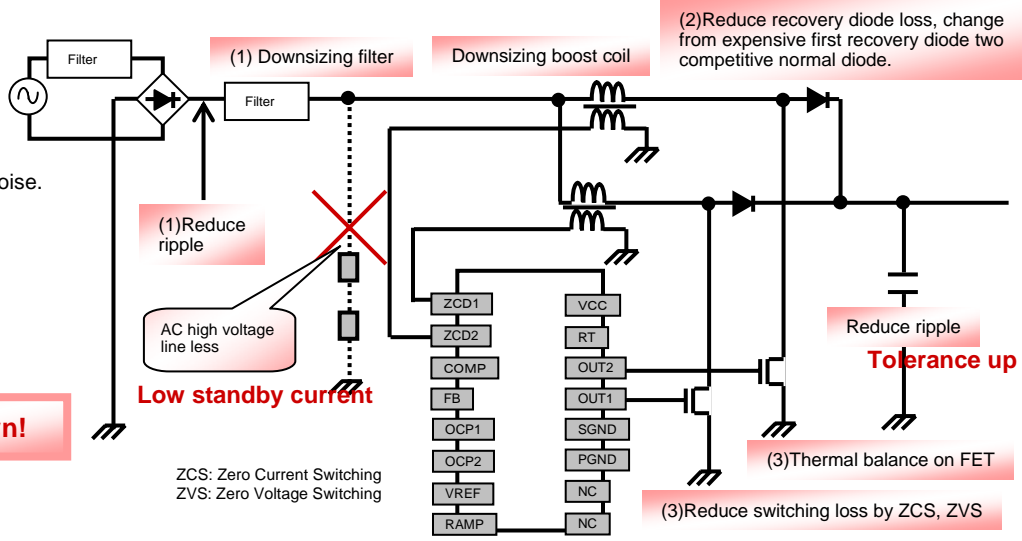


Features

- Downsizing boost coil, output capacitor
- Downsizing and simplification of common filter and normal filter.
- Efficiency up
- Reduce line noise and radiation noise.

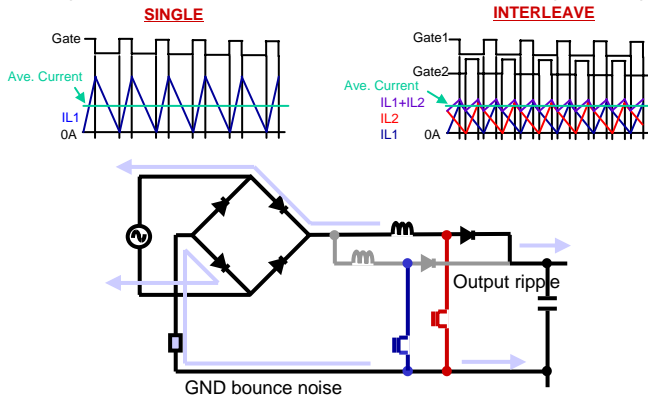
Total Cost Down!



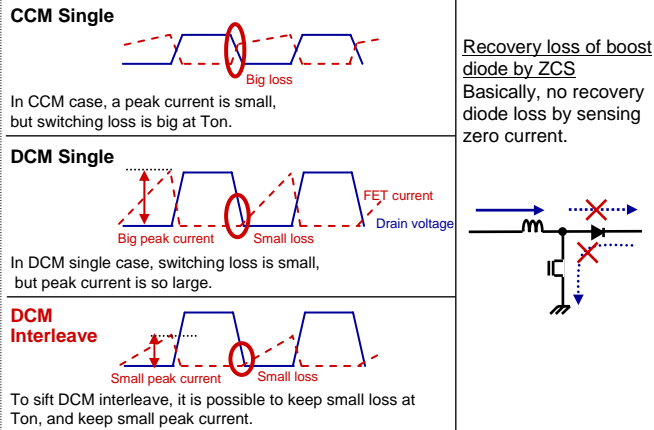
ZCS: Zero Current Switching
ZVS: Zero Voltage Switching

Low noise and Ripple reduction

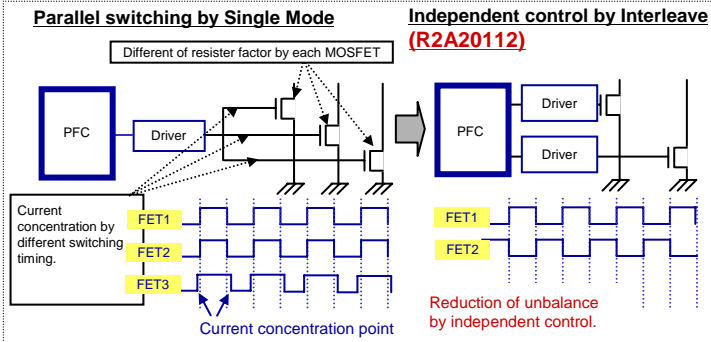
Reducing input current ripple and GND bounce noise by interleaving technology.



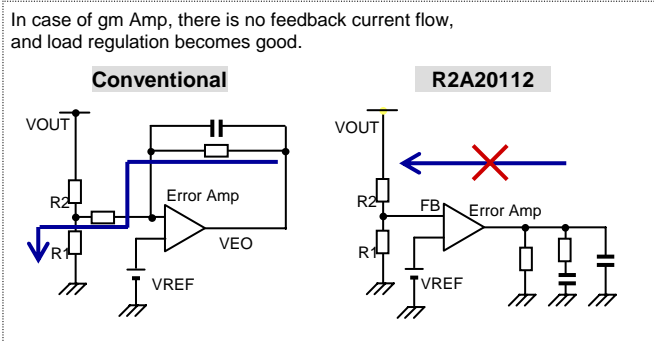
Principle power loss reduction



Improvement of thermal balance

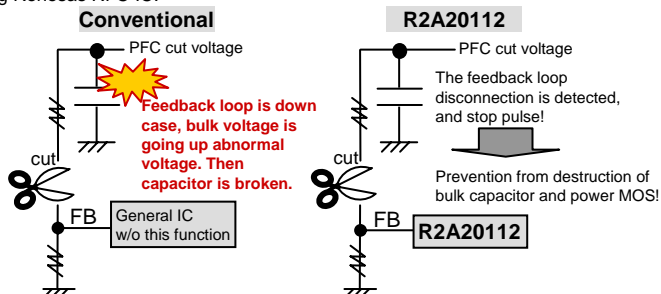


Improvement of load regulation by gm Amp



Feedback loop detection

Built in over voltage protection. And feedback loop absence detection can stop output pulse and PG signal. Therefore bulk capacitor and MOSFET are not broken if using Renesas RFC IC.



Dynamic OVP

R2A20112 had "Dynamic" and "Static" OVP. Dynamic OVP is doing discharge error Amp voltage before reaching Static OVP voltage. Therefore peak current is limited. As the result, reduce over voltage cause "No coil vibration".

