

NEW

MODULE

Photosensor amplifier C8366

Current-to-voltage conversion amplifier for high-speed Si PIN photodiode



Features

- Wide band
DC to 100 MHz Typ. (at -3 dB; varied by the photodiode used)
- Easy photodiode connection
Just inserting the photodiode lead pins makes the connection. (Compatible with TO-8, TO-5 and TO-18 packages)
- Adjustable response speed
Response speed can be adjusted by a variable resistor easily
- Compact size

Applications

- High-speed photometry
- Laser monitors
- Optical power meters

■ Absolute maximum ratings

Parameter	Symbol	Value	Unit
Supply voltage	V _s	±18	V
Operating temperature	T _{opr}	0 to +50	°C
Storage temperature	T _{stg}	0 to +70	°C

■ Electrical and optical characteristics (T_a=25 °C, V_s= ±15 V)

Parameter	Symbol	Condition	Min.	Typ.	Max.	Unit
Conversion impedance	R _f		-	1 × 10 ³	-	V/A
Frequency bandwidth	f _c	Limited to that of C8366	DC	1 × 10 ⁸	-	Hz
Maximum output amplitude	V _{FS}	R _L =1 kΩ	+3	-	-	V
Output offset voltage	V _{OS}	Without photodiode	-	±1	-	mV
Equivalent noise input current	I _n	Without photodiode, f=100 MHz	-	5 × 10 ⁻¹¹	-	A/Hz ^{1/2}
Output resistance	R _o		-	50	-	Ω
Photodiode reverse bias voltage output	V _R		-	-12	-	V
Current consumption	I _s	Without photodiode	-	-	±30	mA

■ Connectable Hamamatsu Si PIN photodiodes

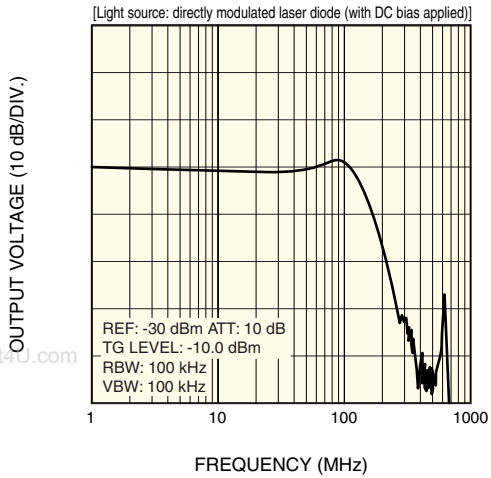
TO-8 type: S3071

TO-5 type: S3399, S3883 *

TO-18 type: S5821 series, S5971, S5972 *, S5973 series *

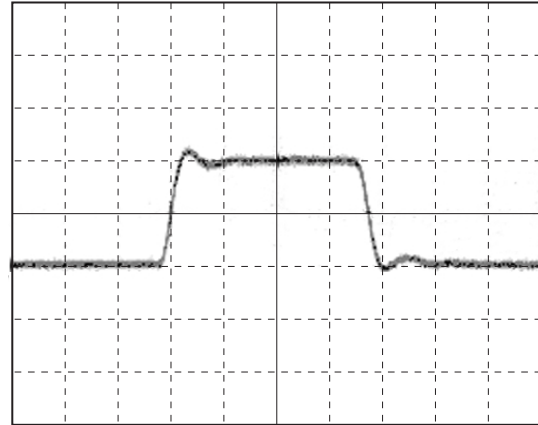
* Frequency bandwidth is limited to that of C8366 when used with C8366.

■ Frequency response example (with S5972 connected)



KACCB0055EA

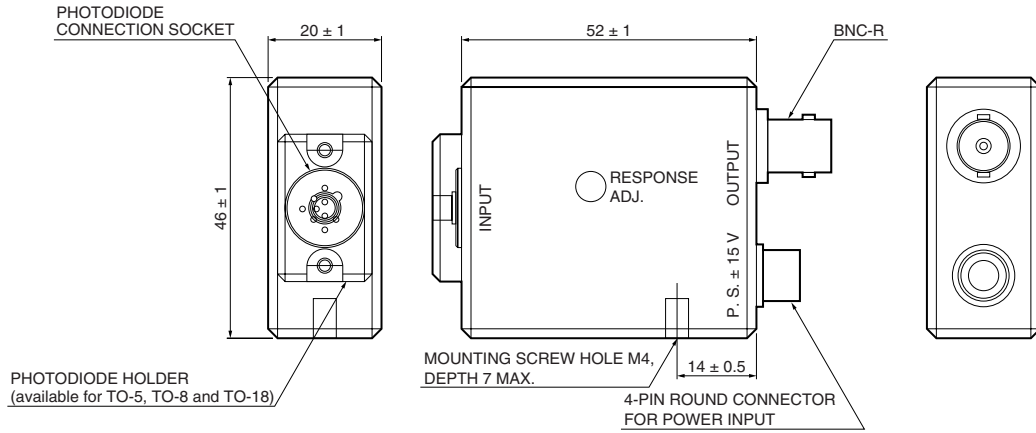
■ Output response waveform by input of step function light (with S5972 connected)



50 mV/DIV, 10 ns/DIV.

KACCB0056EA

■ Dimensional outline (unit: mm)



KACCA0104EA

■ Accessories

Power plug: HR10-7P-4S [HIROSE, with 500 mm long lead wires (AWG24)]

Photodiode holder: One each for TO-5, TO-8 and TO-18