



## DC-TO DC Converter Control Circuits

### DESCRIPTION

The IN202B Series is a High Integrated control circuit containing the primary functions required for DC-to-DC converters with 2% Voltage reference, and two operational amplifiers. This series was specifically designed to be incorporated in step-down, step-up and voltage inverting applications with a Minimum number of external components.

The IN202B provides an additional function of voltage reference with 2% variation in temperature range of 0~70°C. It is an advantage for most power system design.

### FEATURES

#### (1) TWO operational amplifier :

- Internally frequency compensated for unity gain.
- Large DC voltage gain. -----100dB
- Wide bandwidth (unity gain). -----1MHz
- Low input offset voltage.
- Input common-mode voltage range includes ground.
- Differential input voltage range equal to the power supply voltage.
- Large output voltage swing. -----0V to VCC -1.5V

#### (2) DC-to-DC CONVERTER :

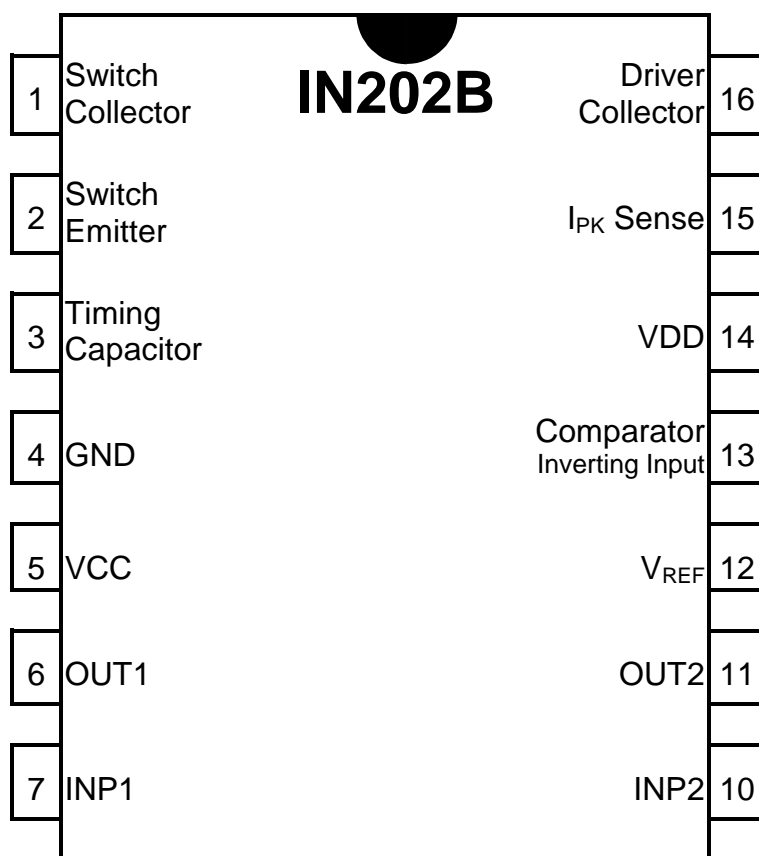
- Operation from 4.0 V to 30V Input.
- Low Standby Current.
- Current Limiting.
- Output Switch Current to 1.5A.
- Output Voltage Adjustable.
- Maximum Operation Frequency to 100KHz.
- Precision 2% Reference.



## ADVANTAGES

- Containing two internally compensated operational amplifier.
- 2% Voltage reference (0 ~ 70 °C).
- High heating sink capability.
- Enhance ESD function.
- Operation Temperature Range from -20 °C to 100 °C.
- Cost Effective.
- Space Saving.
- Less External Component.

## PIN ASSIGNMENT





產晶積體電路股份有限公司

INNO-TECH Co., Ltd.

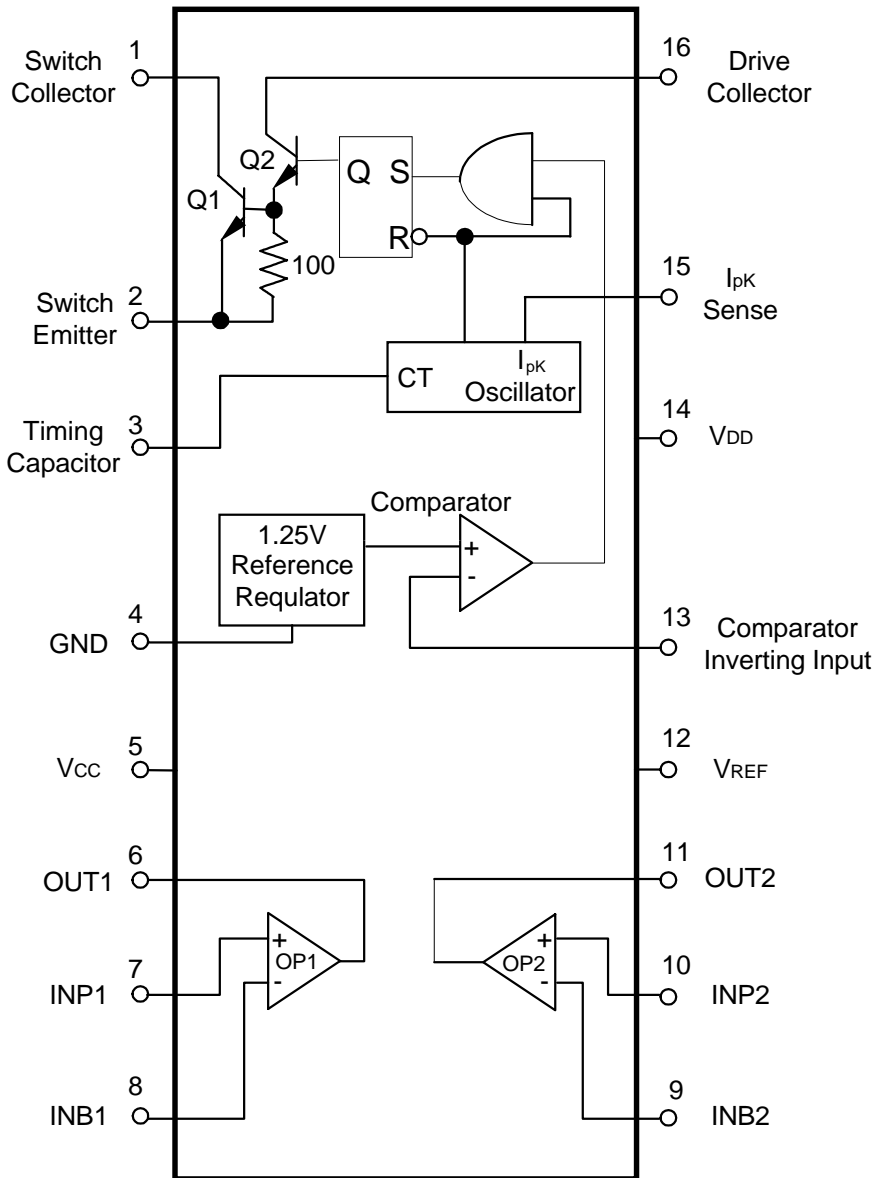
TEL : 886-2-26589998  
FAX : 886-2-26573636  
http : //www.inno.com.tw

IN202





REPRESENTATIVE SCHEMATIC DIAGRAM





產晶積體電路股份有限公司

**INNO-TECH Co., Ltd.**

TEL : 886-2-26589998  
FAX : 886-2-26573636  
http : //www.inno.com.tw

**IN202**

---

---

Aug 24, 2001