

# 4K/8K 2.5V CMOS Serial EEPROMs

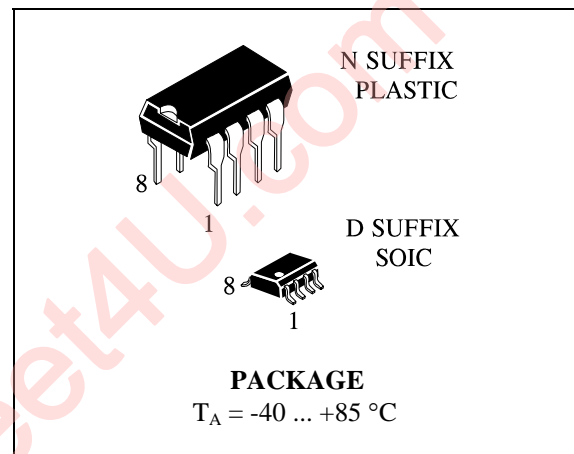
**IN24LC04/08**

## DESCRIPTION

IN24LC04/08 is a 4K-or 8K-bit Electrically Erasable PROM. The device is organized as two or four blocks of 256 x 8 bit memory with a two wire serial interface. Low voltage design permits operation down to 2.5 volts with standby and active currents of only 5µA and 1mA respectively. The IN24LC04/08 also has a page-write capability for up to 16 bytes of data. The IN24LC04B/08B is available in the standard 8-pin DIP.

## FEATURES

- Single supply with operation down to 2.5V
- Low power CMOS technology
  - 1 mA active current typical
  - 10 µA standby current typical at 5.5V
  - 5 µA standby current typical at 3.0V
- Organized as two or four blocks of 256 bytes (2x256x8) and (4x256x8)
- Two wire serial interface bus, I<sup>2</sup>C compatible
- Schmitt trigger, filtered inputs for noise suppression
- Output slope control to eliminate ground bounce
- 100 kHz (2.5V) and 400 kHz (5V) compatibility
- Self-timed write cycle (including auto-erase)
- Page-write buffer for up to 16 bytes
- 2 ms typical write cycle time for page-write
- Hardware write protect for entire memory
- Can be operated as a serial ROM
- Factory programming (QTP) available
- ESD protection > 4,000V
- 1,000,000 ERASE/WRITE cycles guaranteed\*
- Data retention > 200 years
- 8-pin DIP
- Temperature range -40 to +85°C



## PINNING

Name	Function
Vss	Ground
SDA	Serial Address/Data I/O
SCL	Serial Clock
WP	Write Protect Input
VCC	+2.5V to 5.5V Power Supply
AO, A1, A2	No Internal Connection

## Pin Connection

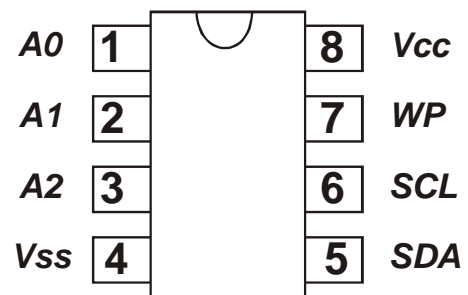
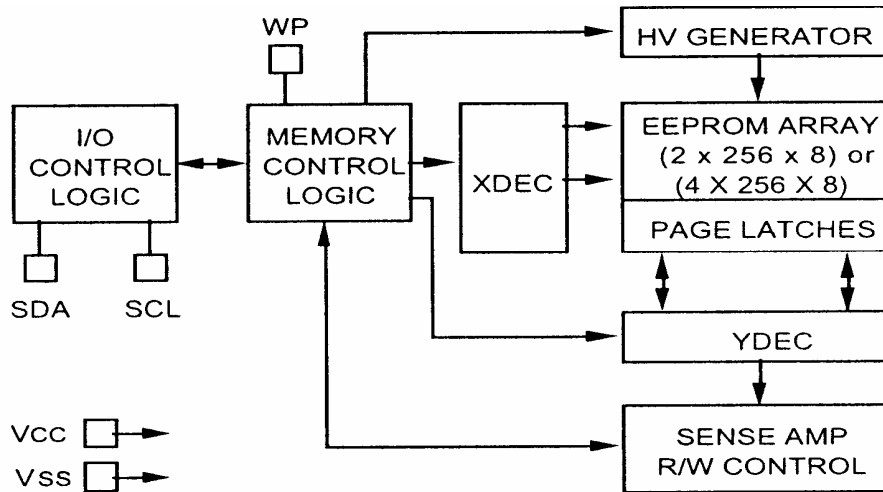


Figure 1. Representative Block Diagram



**ELECTRICAL CHARACTERISTICS**

Maximum Ratings\*

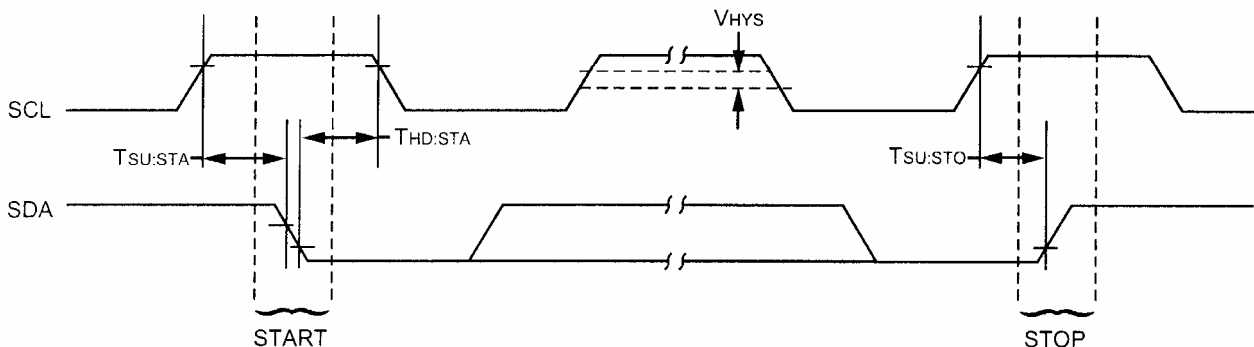
Parameter	Value
V <sub>CC</sub>	7.0 V
All inputs and outputs w.r.t.V <sub>SS</sub>	-0.3V to V <sub>CC</sub> + 1.0V
Storage temperature	65°C to +150°C
Ambient temp. with power applied	-40 to +8°C
Soldering temperature of leads (10 seconds)	+300°C
ESD protection on all pins	> 4 kV

**DC CHARACTERISTICS**

V<sub>CC</sub> = +2.5V to +5.5V Commercial: T<sub>amb</sub> = -40to +85

Parameter	Symbol	Min	Max	Units	Mode
WP, SCL and SDA pins:					
High level input voltage	V <sub>IH</sub>	0.7V <sub>CC</sub>	-	V	
Low level input voltage	V <sub>IL</sub>	-	0.3V <sub>CC</sub>	V	
Hysteresis of Schmitt trigger inputs	V <sub>HYS</sub>	0.05V <sub>CC</sub>	-	V	Note 1
Low level output voltage	V <sub>OL</sub>	-	0.40	V	I <sub>OL</sub> = 3.0mA, V <sub>CC</sub> = 2.5V
Input leakage current	I <sub>LI</sub>	-10	10	µA	V <sub>IN</sub> =0.1V to V <sub>CC</sub>
Output leakage current	I <sub>LO</sub>	-10	10	µA	V <sub>OUT</sub> =0.1V to V <sub>CC</sub>
Pin capacitance (all inputs/outputs)	C <sub>IN</sub> C <sub>OUT</sub>	-	10	pF	V <sub>CC</sub> = 5.0V (Note 1) T <sub>amb</sub> =25°C, F <sub>clk</sub> =1MHz
Operating current	I <sub>CC</sub> WRITE I <sub>CC</sub> READ	-	3 1	mA	V <sub>CC</sub> = 5.5V SCL = 400kHz
Standby current	I <sub>CCS</sub>	-	30 100	µA	SDA=SCL=V <sub>CC</sub> =3.0V, SDA=SCL=V <sub>CC</sub> =5.5V

Figure 2. Bus timing Start/Stop



**AC CHARACTERISTICS**

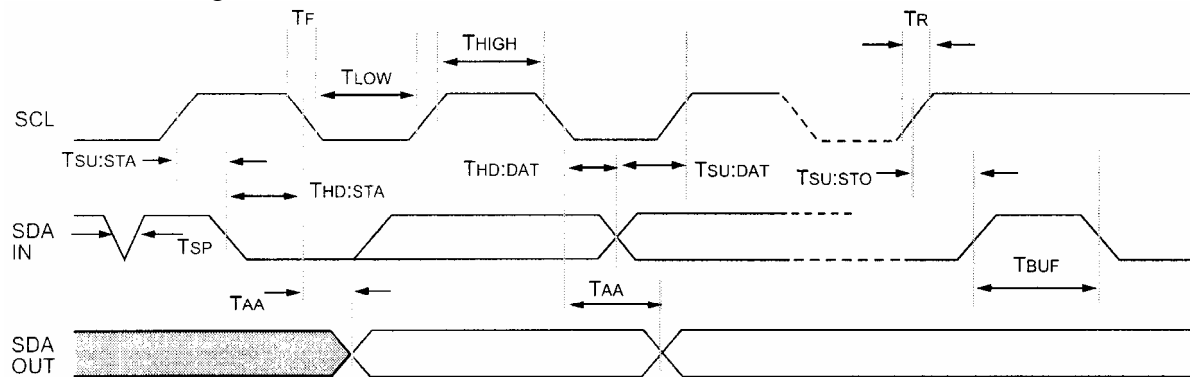
Parameter	Symbol	STANDARD MODE		V <sub>CC</sub> = 4.5 - 5.5V FAST MODE		Units	Remarks
		Min	Max	Min	Max		
Clock frequency	F <sub>CLK</sub>	-	100	-	400	kHz	
Clock high time	T <sub>HIGH</sub>	4000	-	600	-	ns	
Clock low time	T <sub>LOW</sub>	4700	-	1300	-	ns	
SDA and SCL rise time	T <sub>R</sub>	-	1000	-	300	ns	Note 2
SDA and SCL fall time	T <sub>F</sub>	-	300	-	300	ns	Note 2
START condition hold time	T <sub>HD:STA</sub>	4000	-	600	-	ns	After this period the first clock pulse is generated
START condition setup time	T <sub>SU:STA</sub>	4700	-	600	-	ns	Only relevant for repeated START condition
Data input hold time	T <sub>HD:DAT</sub>	0	-	0	-	ns	
Data input setup time	T <sub>SU:DAT</sub>	250	-	100	-	ns	
STOP condition setup time	T <sub>SU:STO</sub>	4000	-	600	-	ns	
Output valid from clock	T <sub>AA</sub>	-	3500	-	900	ns	Note 1
Bus free time	T <sub>BUF</sub>	4700	-	1300	-	ns	Time the bus must be free before a new transmission can start
Output fall time from V <sub>IH</sub> min to V <sub>IL</sub> max	T <sub>OF</sub>	-	250	20+0.1C <sub>B</sub>	250	ns	Note 2, C <sub>B</sub> ≤ 100pF
Input filter spike suppression (SDA & SCL pins)	T <sub>SP</sub>	-	50	-	50	ns	Note 3
Write cycle time	T <sub>WR</sub>	-	10	-	10	ms	Byte or Page mode

Note 1: As a transmitter, the device must provide an internal minimum delay time to bridge the undefined region (minimum 300 ns) of the falling edge of SCL to avoid unintended generation of START or STOP conditions.

Note 2: Not 100% tested. C<sub>B</sub> = total capacitance of one bus line in pF.

Note 3: The combined T<sub>SP</sub> and V<sub>HYS</sub> specifications are due to new Schmitt trigger inputs which provide improved noise and spike suppression. This eliminates the need for a T<sub>i</sub> specification for standard operation.

Figure 3. Bus timing Data



### FUNCTIONAL DESCRIPTION

The IN24LC04/08 supports a bidirectional two wire bus and data transmission protocol. A device that sends data onto the bus is defined as transmitter, and a device receiving data as receiver. The bus has to be controlled by a master device which generates the serial clock (SCL), controls the bus access, and generates the START and STOP conditions, while the IN24LC04/08 works as slave. Both, master and slave can operate as transmitter or receiver but the master device determines which mode is activated.

### BUS CHARACTERISTICS

The following bus protocol has been defined:

Data transfer may be initiated only when the bus is not busy.

During data transfer, the data line must remain stable whenever the clock line is HIGH. Changes in the data line while the clock line is HIGH will be interpreted as a START or STOP condition.

Accordingly, the following bus conditions have been defined (see Figure 4).

#### Bus not Busy (A)

Both data and clock lines remain HIGH.

#### Start Data Transfer (B)

A HIGH to LOW transition of the SDA line while the clock (SCL) is HIGH determines a START condition. All commands must be preceded by a START condition.

#### Stop Data Transfer (C)

A LOW to HIGH transition of the SDA line while the clock (SCL) is HIGH determines a STOP condition. All operations must be ended with a STOP condition.

#### Data Valid (D)

The state of the data line represents valid data when, after a START condition, the data line is stable for the duration of the HIGH period of the clock signal.

The data on the line must be changed during the LOW period of the clock signal. There is one clock pulse per bit of data.

Each data transfer is initiated with a START condition and terminated with a STOP condition. The number of the data bytes transferred between the START and STOP conditions is determined by the master device and is theoretically unlimited, although only the last sixteen will be stored when doing a write operation. When an overwrite does occur it will replace data in a first in first out fashion.

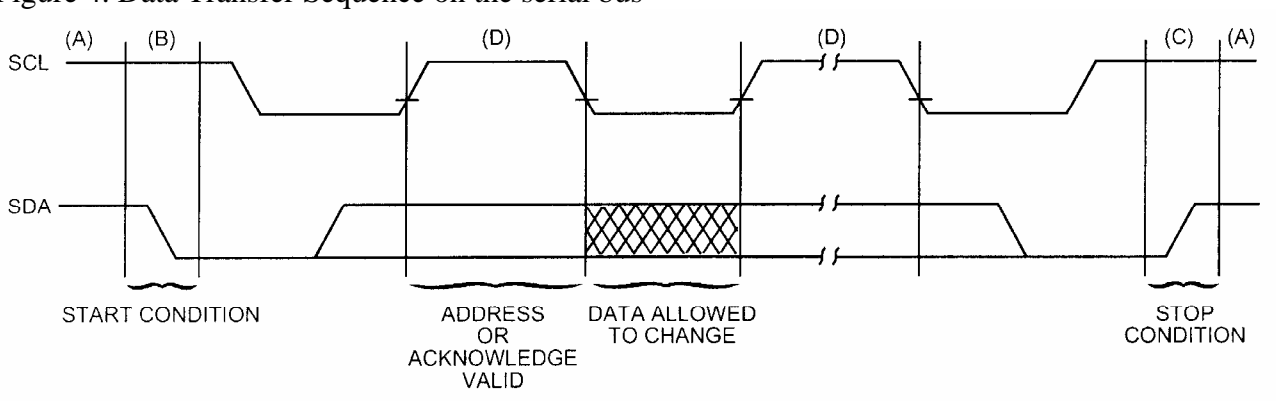
**Acknowledge**

Each receiving device, when addressed, is obliged to generate an acknowledge after the reception of each byte. The master device must generate an extra clock pulse which is associated with this acknowledge bit.

**Note:** The IN24LC04/08 does not generate any acknowledge bits if an internal programming cycle is in progress

The device that acknowledges, has to pull down the SDA line during the acknowledge clock pulse in such a way that the SDA line is stable LOW during the HIGH period of the acknowledge related clock pulse. Of course, setup and hold times must be taken into account. A master must signal an end of data to the slave by not generating an acknowledge bit on the last byte that has been clocked out of the slave. In this case, the slave must leave the data line HIGH to enable the master to generate the STOP condition.

Figure 4. Data Transfer Sequence on the serial bus



**BUS CHARACTERISTICS**

**Device Addressing and Operation**

A control byte is the first byte received following the start condition from the master device. The control byte consists of a four bit control code, for the IN24LC04/08 this is set as 1010 binary for read and write operations. The next three bits of the control byte are the block select bits (B2, B1, B0). B2 is a don't care for both the IN24LC04 and IN24LC08; B1 is a don't care for the IN24LC04. They are used by the master device to select which of the two or four 256 word blocks of memory are to be accessed. These bits are in effect the most significant bits of the word address.

The last bit of the control byte defines the operation to be performed. When set to one a read operation is selected, when set to zero a write operation is selected. Following the start condition, the IN24LC04/08 monitors the SDA bus checking the device type identifier being transmitted, upon a 1010 code the slave device outputs an acknowledge signal on the SDA line. Depending on the state of the R/W bit, the IN24LC04/ 08 will select a read or write operation.

Operation	Control Code	Block Select	R/W
Read	1010	Block Address	1
Write	1010	Block Address	0

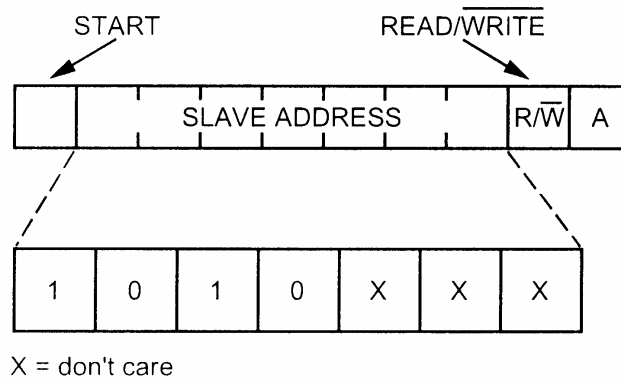


Figure 5. Control Byte Allocation

**WRITE OPERATION**

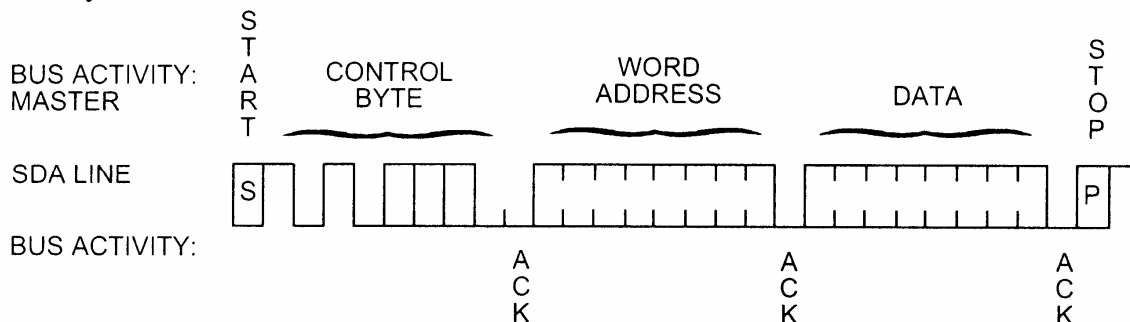
**Byte Write**

Following the start condition from the master, the device code (4 bits), the block address (3 bits), and the R/W bit which is a logic low is placed onto the bus by the master transmitter. This indicates to the addressed slave receiver that a byte with a word address will follow after it has generated an acknowledge bit during the ninth clock cycle. Therefore the next byte transmitted by the master is the word address and will be written into the address pointer of the IN24LC04/08. After receiving another acknowledge signal from the IN24LC04/08 the master device will transmit the data word to be written into the addressed memory location. The IN24LC04/08 acknowledges again and the master generates a stop condition. This initiates the internal write cycle, and during this time the IN24LC04/08 will not generate acknowledge signals (see Figure 6).

**Page Write**

The write control byte, word address and the first data byte are transmitted to the IN24LC04/08 in the same way as in a byte write. But instead of generating a stop condition the master transmits up to sixteen data bytes to the IN24LC04/08 which are temporarily stored in the on-chip page buffer and will be written into the memory after the master has transmitted a stop condition. After the receipt of each word, the four lower order address pointer bits are internally incremented by one. The higher order seven bits of the word address remains constant. If the master should transmit more than sixteen words prior to generating the stop condition, the address counter will roll over and the previously received data will be overwritten. As with the byte write operation, once the stop condition is received an internal write cycle will begin (see Figure 8).

Figure 6. Byte Write



**ACKNOWLEDGE POLLING**

Since the device will not acknowledge during a write cycle, this can be used to determine when the cycle is complete (this feature can be used to maximize bus throughput). Once the stop condition for a write command has been issued from the master, the device initiates the internally timed write cycle, ACK polling can be initiated immediately. This involves the master sending a start condition followed by the control byte for a write command ( $R/\bar{W} = 0$ ). If the device is still busy with the write cycle, then no ACK will be returned. If the cycle is complete, then the device will return the ACK and the master can then proceed with the next read or write command. See Figure 7 for flow diagram.

**WRITE PROTECTION**

The IN24LC04/08 can be used as a serial ROM when the WP pin is connected to Vcc. Programming will be inhibited and the entire memory will be write-protected.

**READ OPERATION**

Read operations are initiated in the same way as write operations with the exception that the R/W bit of the slave address is set to one. There are three basic types of read operations: current address read, random read, and sequential read.

**Current Address Read**

The IN24LC04/08 contains an address counter that maintains the address of the last word accessed, internally incremented by one. Therefore, if the previous access (either a read or write operation) was to address  $n$ , the next current address read operation would access data from address  $n + 1$ . Upon receipt of the slave address with R/W bit set to one, the IN24LC04/08 issues an acknowledge and transmits the eight bit data word. The master will not acknowledge the transfer but does generate a stop condition and the IN24LC04/08 discontinues transmission (see Figure 9).

**Random Read**

Random read operations allow the master to access any memory location in a random manner. To perform this type of read operation, first the word address must be set. This is done by sending the word address to the IN24LC04/08 as part of a write operation. After the word address is sent, the master generates a start condition following the acknowledge. This terminates the write operation, but not before the internal address pointer is set. Then the master issues the control byte again but with the R/W bit set to a one. The IN24LC04/08 will then issue an acknowledge and transmits the eight bit data word. The master will not acknowledge the transfer but does generate a stop condition and the IN24LC04/08 discontinues transmission (see Figure 10).

Figure 7. Acknowledge Polling Flow

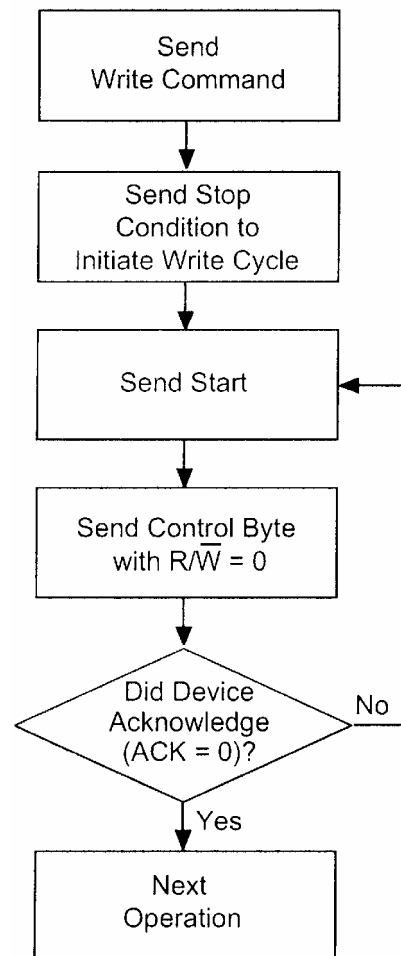


Figure 8. Page Write

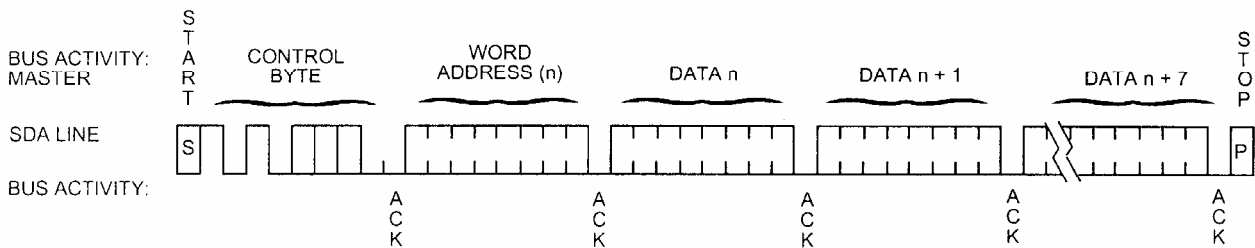


Figure 9. Current Address Read

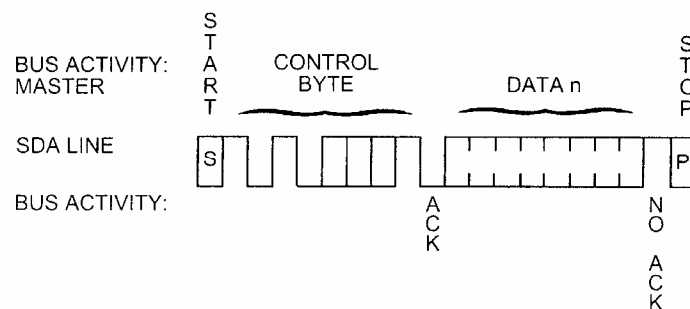
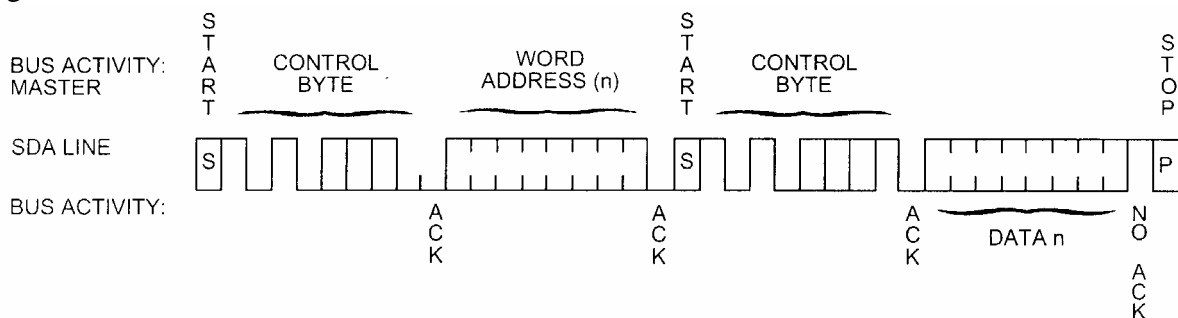


Figure 10. Random Read



**Sequential Read**

Sequential reads are initiated in the same way as a random read except that after the IN24LC04/08 transmits the first data byte, the master issues an acknowledge as opposed to a stop condition in a random read. This directs the IN24LC04/08 to transmit the next sequentially addressed 8 bit word (see Figure 11).

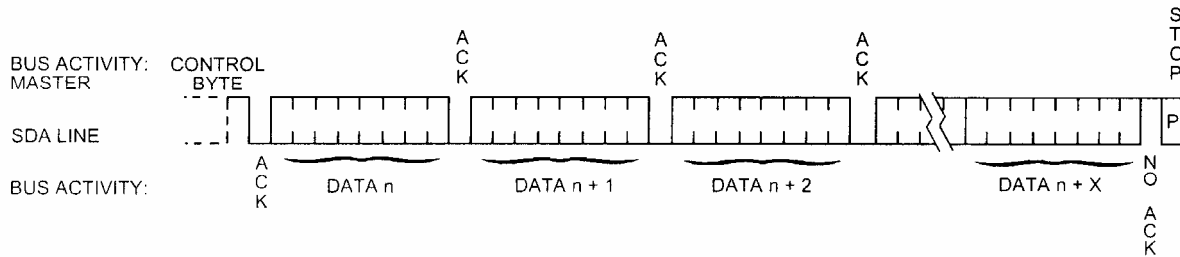
To provide sequential reads the IN24LC04/08 contains an internal address pointer which is incremented by one at the completion of each operation. This address pointer allows the entire memory contents to be serially read during one operation.

**Noise Protection**

The IN24LC04/08 employs a Vcc threshold detector circuit which disables the internal erase/write logic if the Vcc is below 1,5 volts at nominal conditions. The SCL and SDA inputs have Schmitt trigger and filter circuits which suppress noise spikes to assure proper device operation even on a noisy bus.



Figure 11. Sequential read



## PIN DESCRIPTIONS

### SPA Serial Address/Data Input/Output

This is a bidirectional pin used to transfer addresses and data into and data out of the device. It is an open drain terminal, therefore the SDA bus requires a pullup resistor to V<sub>CC</sub> (typical 10K $\Omega$  for 100 kHz, 1 K $\Omega$  for 400 kHz).

For normal data transfer SDA is allowed to change only during SCL low. Changes during SCL high are reserved for indicating the START and STOP conditions.

### SCL Serial Clock

This input is used to synchronize the data transfer from and to the device.

### WP

This pin must be connected to either V<sub>SS</sub> or V<sub>CC</sub>.

If tied to V<sub>SS</sub>, normal memory operation is enabled (read/write the entire memory).

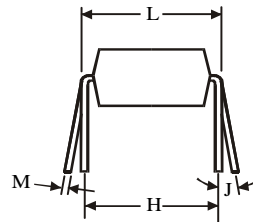
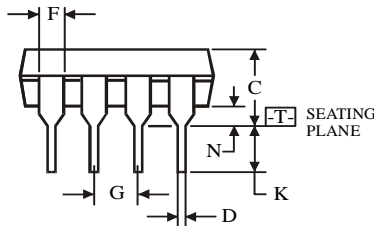
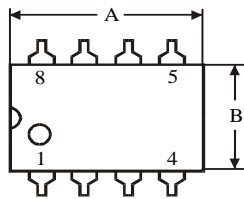
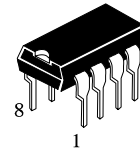
If tied to V<sub>CC</sub>, WRITE operations are inhibited. The entire memory will be write-protected. Read operations are not affected.

This feature allows the user to use the IN24LC04/08 as a serial ROM when WP is enabled (tied to V<sub>CC</sub>).

### A0,A1,A2

These pins are not used by the IN24LC04/08. They may be left floating or tied to either V<sub>SS</sub> or V<sub>CC</sub>.

**N SUFFIX PLASTIC DIP**  
(MS – 001BA)



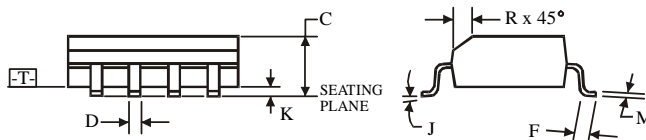
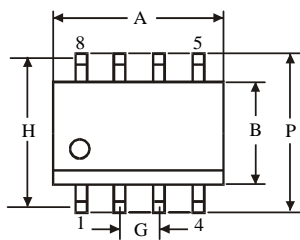
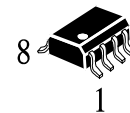
$\oplus 0.25 (0.010) \text{ (M) T}$

Symbol	Dimension, mm	
	MIN	MAX
A	8.51	10.16
B	6.1	7.11
C		5.33
D	0.36	0.56
F	1.14	1.78
G	2.54	
H	7.62	
J	0°	10°
K	2.92	3.81
L	7.62	8.26
M	0.2	0.36
N	0.38	

**NOTES:**

- Dimensions “A”, “B” do not include mold flash or protrusions.  
Maximum mold flash or protrusions 0.25 mm (0.010) per side.

**D SUFFIX SOIC**  
(MS - 012AA)



$\oplus 0.25 (0.010) \text{ (M) T C (M)}$

Symbol	Dimension, mm	
	MIN	MAX
A	4.8	5
B	3.8	4
C	1.35	1.75
D	0.33	0.51
F	0.4	1.27
G	1.27	
H	5.72	
J	0°	8°
K	0.1	0.25
M	0.19	0.25
P	5.8	6.2
R	0.25	0.5

**NOTES:**

- Dimensions A and B do not include mold flash or protrusion.
- Maximum mold flash or protrusion 0.15 mm (0.006) per side for A; for B - 0.25 mm (0.010) per side.