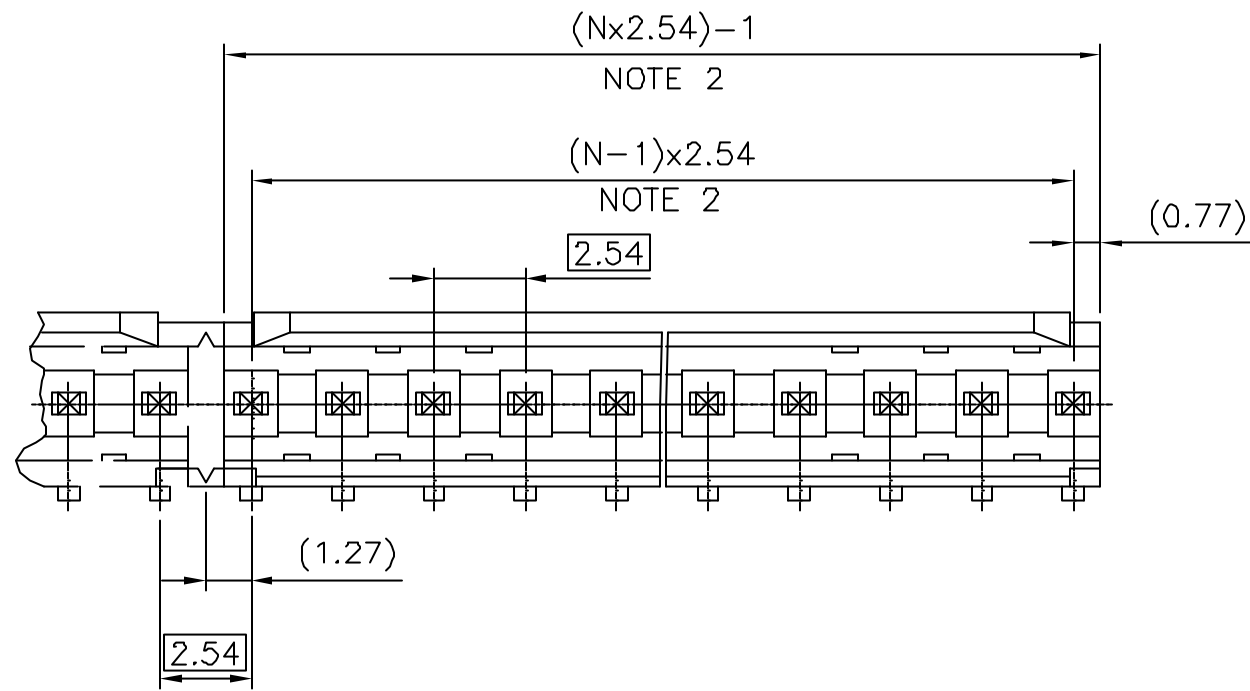
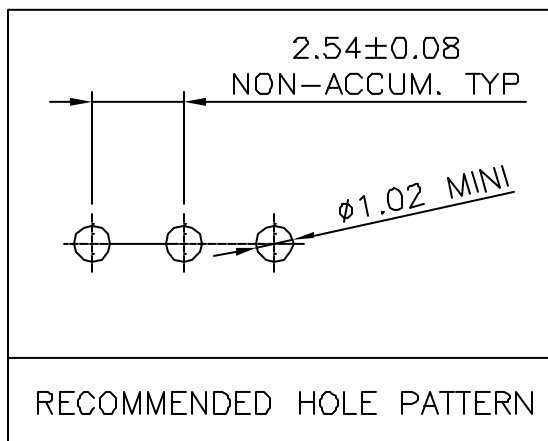
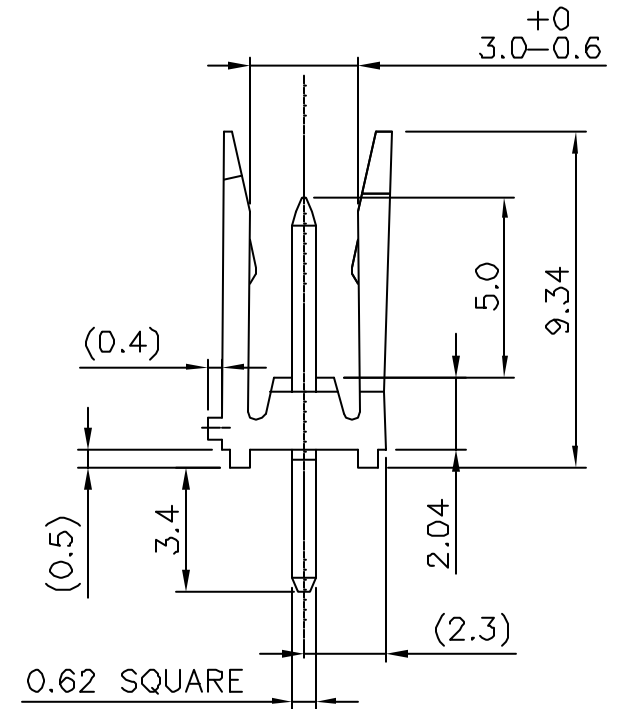
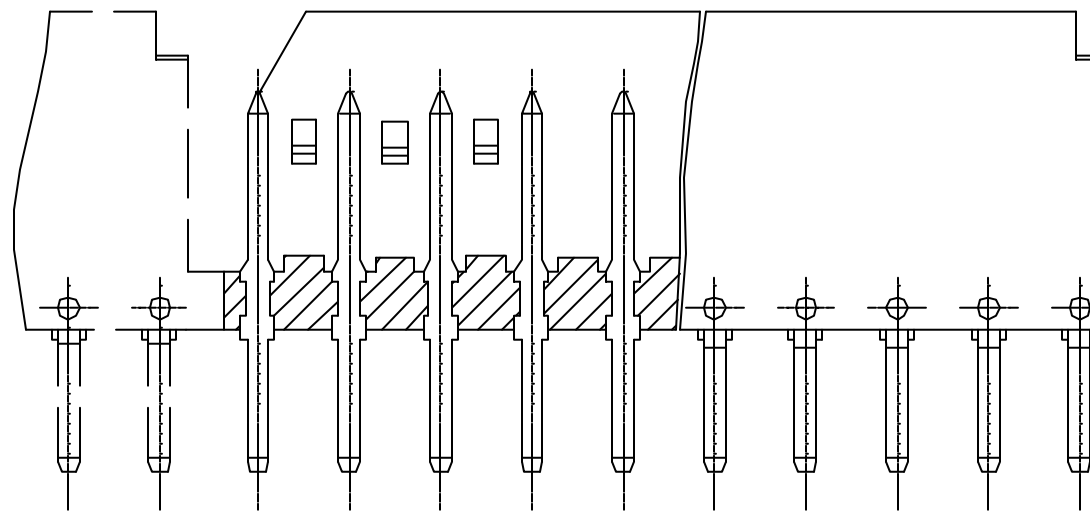


PRODUCT NUMBER  
SEE SHEET 2



NOTES :

1. MINI PUSH-OUT FORCE TERMINAL IN BOTH DIRECTIONS 22N.
2. TO DETERMINE DIMENSIONS:  
N = NUMBER OF POSITIONS PER ROW  
EXAMPLE: 8 POS:  $(N \times 2.54) - 1 = 19.32$  mm



mat'l. code		surface		tolerance		projection		product family	
SEE NOTES		ISO 1302	✓	ISO 406	ISO 1101	mm		DUBOX	
ltr	ecn no	dr	date	tolerances unless otherwise specified		mm		title	
N	F06-0228	LMU	06.07.11	angles	.X ±0.3	scale 5:1		SHR. HEADER	
P	F06-0319	LMU	06.11.10	Linear	.XX ±0.15			STR SR TMT	
					.XXX ±0.05			dwg no	
J	F10103	GCD	01.01.12	dr	D LEGRAND	99.03.03			sheet 1 of 2
K	F10343	DLE	01.06.12	engr	JM PHAMVAN	99.03.03			size
L	F04-0317	LMU	04.07.13	chr	JM PHAMVAN	99.03.03			A3
M	F05-0159	LMU	05.03.31	appd	JM PHAMVAN	99.03.03			type
sheet		revision						CUSTOMER Drawing	
index	sheet	P	B						
		1	2						



Copyright FCJ

STANDARD PRODUCT NUMBER

76384-YXX

PLATING CODE

NUMBER OF POSITIONS: 02 TO 36.

3= 0.76µm GOLD ON CONTACT AREA.

3.81µm TIN-LEAD ON TAIL OVER 1.27µm Ni MIN.

4= 3.81µm TIN LEAD OVER 1.27µm Ni MIN

NOTES:

- 1 - HOUSING MAT'L: THERMOPLASTIC GLASS FILLED  
FLAME RETARDANT PER UL 94 V-O COLOR: BLUE.
- 2 - TERMINAL MATERIAL: PHOSPHOR BRONZE.
- 3 - 2 UP TO 6 POSITIONS, PRODUCT PACKED IN PLASTIC BAG.  
7 UP TO 36 POSITIONS, PRODUCT PACKED IN TUBE.
- 4 - ONLY DASH NUMBER -X02 AND -X03  
ALWAYS TEN (10) PRODUCTS MOLDED ASSEMBLY  
& DELIVERY TOGETHER ACCORDING PHANTOM LINES.

RoHS COMPLIANT PRODUCT NUMBER

76384-YXXLF

PLATING CODE

SUFFIX LETTER "LF" INDICATES THE PRODUCT IS RoHS COMPLIANT, SEE NOTE 5

3= 0.76µm GOLD ON CONTACT AREA.

2µm MIN MATTE TIN ON TAIL.

OVER 1.27µm Ni MIN

4= 2µm MIN MATTE TIN

OVER 1.27µm Ni MIN

NOTES:

- 1 - HOUSING MAT'L: THERMOPLASTIC GLASS FILLED  
FLAME RETARDANT PER UL 94 V-O COLOR: BLACK.
- 2 - TERMINAL MATERIAL: PHOSPHOR BRONZE.
- 3 - 2 UP TO 6 POSITIONS, PRODUCT PACKED IN PLASTIC BAG.  
7 UP TO 18 POSITIONS, PRODUCT PACKED IN TUBE.
- 4 - ONLY DASH NUMBER -X02 AND -X03  
ALWAYS TEN (10) PRODUCTS MOLDED ASSEMBLY  
& DELIVERED ON STRIP ACCORDING PHANTOM LINES.
- 5 - RoHS COMPATIBLE PRODUCT SPECIFICATIONS
  - a - PLATING:
    - "LF" MEANS THE PRODUCT IS LEAD-FREE,  
2µm MINIMUM MATTE TIN OVER 1.27µm  
MINIMUM NICKEL UNDERPLATE.
  - b - MANUFACTURING PROCESS COMPATIBILITY
    - THE HOUSING WILL WITHSTAND EXPOSURE TO  
260°C ±5°C SOLDER BATH TEMPERATURE FOR  
5 SECONDS IN A WAVE SOLDER APPLICATION  
WITH A 1.6mm MIN THICK CIRCUIT BOARD.
  - c - LABELING:
    - MEETS PACKAGING SPECS AS PER GS-14-920
  - d - LEGAL STATEMENT: SEE GS-22-008

mat'l. code		surface		tolerance		projection		product family	
SEE NOTES		ISO 1302 ✓		ISO 406 ISO 1101				DUBOX	
ltr	ecn no	dr	date	tolerances unless otherwise specified		mm		title	
A	F05-0159	LMU	05.03.31	angles	.X ±0.3	mm		SHR. HEADER	
B	F06-0228	LMU	06.07.11	Linear	.XX ±0.15	scale 5:1		STR SR TMT	
					.XXX ±0.05			dwg no	
				dr	LMULIN	05.03.25		sheet 2 of	
				engr	J.COMPAGNON	05.03.25		size	
				chr				76384	
				appd	JM.C	05.03.25		A3	
sheet index		revision sheet						type	
								CUSTOMER Drawing	



Copyright FCJ