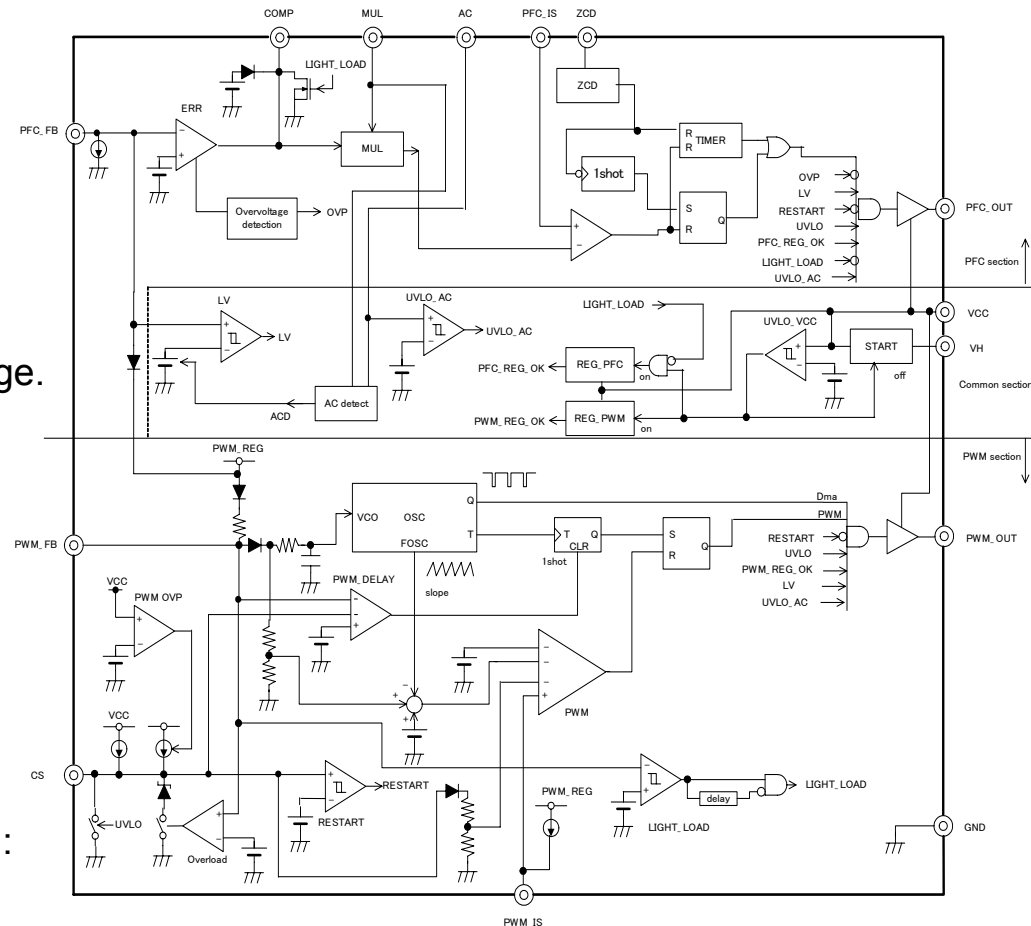


## Features

- Critical mode Power Factor Correction and PWM are combined : suitable for smaller power supply
- Internal start-up circuit with 500V rating and low frequency operation achieves 340mW input at no load when PFC stops.
- **Small Output Capacitance** : Linearly reduced frequency for light load makes small ripple voltage.
- PFC stops below half load ( only for FA5533 )
- **Vcc rating 28V allows no series regulator for auxiliary winding to clamp Vcc voltage.**
- Adjustable Soft Start time
- **Auto-Restart Over Load Protection**
- **Auto-Restart Over-Voltage Protection for Vcc**
- **Adjustable Start-up sequence for PFC and PWM:**  
easy Full Load Start-up
- **Brown-Out below 70Vac and 70Vdc of PFC Output**
- 16 pins package ( DIP/SO )

## Block Diagram

under development

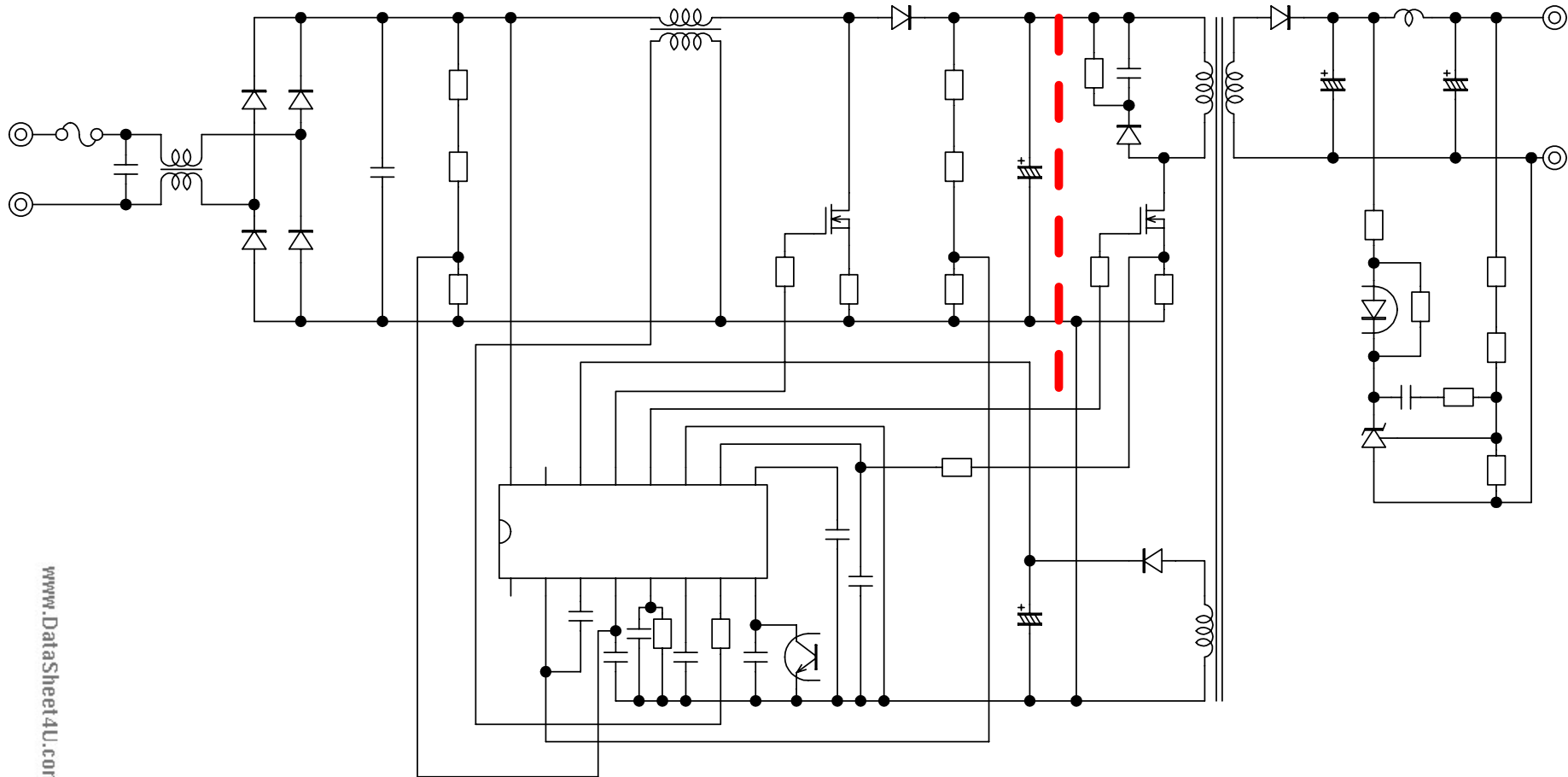


Usage : Notebook PC, LCD Monitor,  
LCD-TV, Laser Beam Printer etc.

## Application Circuit

under development

PFC section | PWM section



## Timing Chart ( FA5533 )

under development

