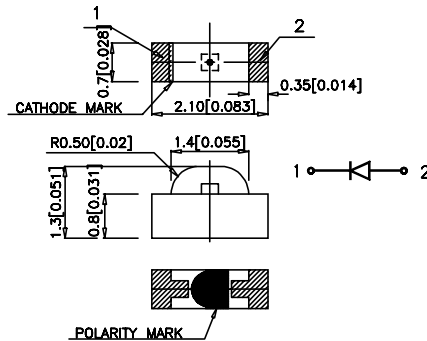


# KPJA-2107

2.1mm x 0.7mm x 4.3mm (0802 Right Angle)



Units : mm(inch)  
Tolerance :  $\pm 0.15(0.006)$

## NOTES :

1. All dimensions are in millimeters (inches)
2. Tolerance is  $\pm 0.25\text{mm}(0.01\text{'})$  unless otherwise noted.