



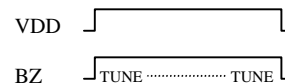
MELODY	
M9280	

## VDD CONTROL

## 128 音符音樂 IC

### FEATURES 功能敘述

- Wide operating range : 1.5~3.5V.
- Minimum external component.



### APPLICATION 產品應用

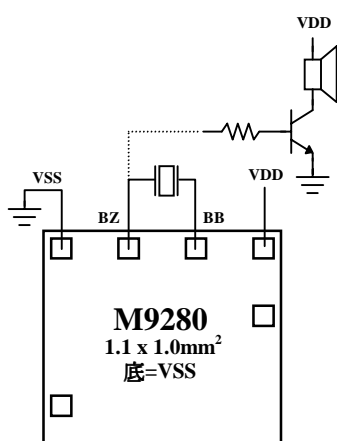
- Toys, Melody card etc.

### ELECTRICAL CHARACTERISTICS 電氣規格

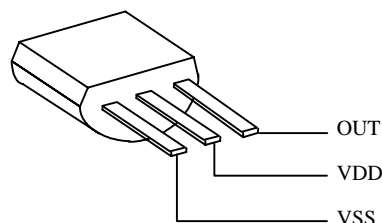
( @  $V_{DD}=1.5V$  unless otherwise specified )

Characteristics	Sym.	Min.	Typ.	Max.	Unit	REMARKS
工作電壓 Operating Voltage	$V_{DD}$	—	1.5	3.5	V	
工作電流 Operating Current	$I_{OP}$	—	0.1	0.5	mA	No load
靜態電流 Quiescent Current	$I_{SB}$	—	—	—	$\mu A$	
推動電流 BZ Driving Current	$I_O$	1	—	—	mA	@ $V_{DS}=1V$
推動電流 LO Driving Current	$I_{OL}$	6	—	—	mA	@ $V_{DS}=1.2V$
振盪頻率 Oscillator Frequency	$F_{OSC}$	—	100	—	KHz	$\pm 30\%$ TOL.
工作溫度 Operating Temperature	Temp.	0	25	60	$^{\circ}C$	

### APPLICATION DIAGRAM 參考電路圖



TO92-3L



\*All specs and applications shown above subject to change without prior notice.

( 以上電路及規格僅供參考,本公司得逕行修正 )



MELODY

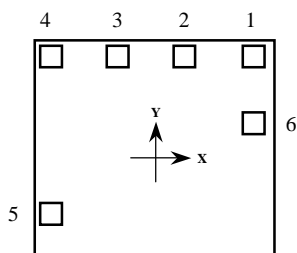
M9280



VDD CONTROL

128 音符音樂 IC

**PAD ASSIGNMENT & POSITION**



UNIT : um

No.	NAME	X	Y
1	VDD	289	246
2	BB	101	246
3	BZ	-136	246
4	VSS	-324	246
5	Y	-324	-222
6	TE	289	81

\* CHIP SIZE ~ 1.1 x 1.0 mm<sup>2</sup>

\* IC substrate should be connected to VSS in PCB (PCB 上 IC 必須接 VSS)

( 以上電路及規格僅供參考,本公司得逕行修正 )