



**Solid State Devices, Inc.**


14701 Firestone Blvd \* La Mirada, Ca 90638  
 Phone: (562) 404-4474 \* Fax: (562) 404-1773  
 ssdi@ssdi-power.com \* www.ssdi-power.com

**SDA5000  
 thru  
 SDA25000**

**0.5 AMPS  
 5,000 – 25,000 VOLTS  
 STANDARD RECOVERY  
 HIGH VOLTAGE RECTIFIER**

**Designer's Data Sheet**

**Part Number/Ordering Information <sup>1/</sup>**  
**SDA**



**Screening <sup>2/</sup>**  
 — = Not Screened  
 TX = TX Level  
 TXV = TXV  
 S = S Level

**Voltage/Family**  
 5000 = 5000V  
 7500 = 7500V  
 10000 = 10000V  
 12500 = 12500V  
 15000 = 15000V  
 20000 = 20000V  
 25000 = 25000V

- FEATURES:**
- Average Output Current 0.5 Amps
  - PIV 5000 to 25,000 Volts
  - Low Reverse Leakage
  - Low Distributed and GRD Capacitance
  - Corona Free
  - Superior Thermal Shock Resistance
  - Also available in Fast, Ultra Fast, and Hyper-Fast versions. Consult Factory.
  - TX, TXV, and S-Level Screening Available. Consult Factory

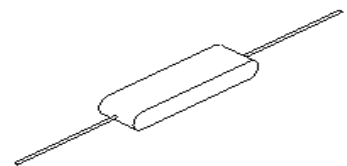
**ELECTRICAL CHARACTERISTICS**

Part Number	Peak Inverse Voltage (per leg)	Average DC Output Current T <sub>c</sub> = Case Temp		Reverse Recovery Time	Maximum Surge Current (1 Cycle)	Maximum Forward Voltage (per leg)	Maximum Reverse Current (per leg) @ PIV		Case Size		
		I <sub>F(AV)</sub>					I <sub>R</sub>		A	B	C
Symbol	PIV	I <sub>F(AV)</sub>		t <sub>rr</sub>	I <sub>FRM</sub>	V <sub>F</sub>	I <sub>R</sub>		INCHES		
Units	Volts	Amps		µs	Amps	Volts	µA				
Conditions		55°C	100°C		25°C	I <sub>F</sub> = 500 mA	25°C	100°C	A	B	C
<b>SDA5000</b>	5000	0.5	0.33	5	50	5	1	50	1.125	0.25	0.50
<b>SDA7500</b>	7500	0.5	0.33	5	50	7.5	1	50	1.165	0.25	0.50
<b>SDA10000</b>	10000	0.5	0.33	5	50	10	1	50	2.000	0.25	0.50
<b>SDA12500</b>	12500	0.5	0.33	5	50	12.5	1	50	2.375	0.25	0.50
<b>SDA15000</b>	15000	0.5	0.33	5	50	15	1	50	2.750	0.25	0.50
<b>SDA20000</b>	20000	0.5	0.33	5	50	20	1	50	3.500	0.25	0.50
<b>SDA25000</b>	25000	0.5	0.33	5	50	25	1	50	4.250	0.25	0.50

**NOTES:**

1. Maximum forward voltage measured with instantaneous forward pulse of 300 µsec minimum.
2. Unless Otherwise Specified, All Electrical Characteristics @25°C
3. Reverse Recovery Test Conditions: I<sub>F</sub> = 0.5A, I<sub>R</sub> = 1A, I<sub>RR</sub> = 0.25A, T<sub>A</sub> = 25°C

**HV STICK**



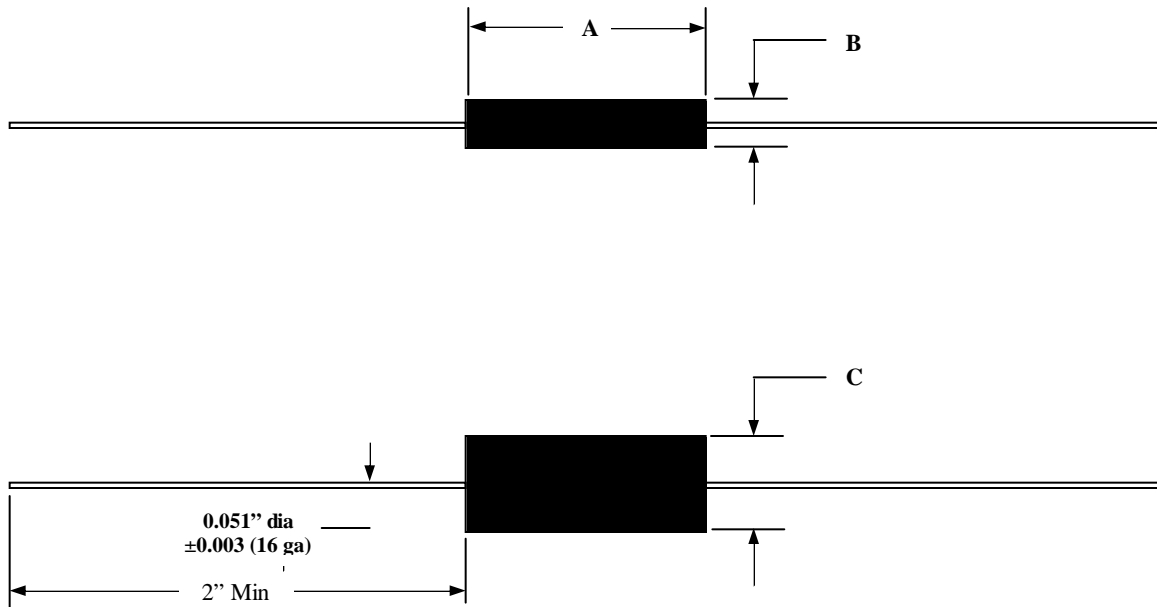


**Solid State Devices, Inc.**

14701 Firestone Blvd \* La Mirada, Ca 90638  
Phone: (562) 404-4474 \* Fax: (562) 404-1773  
ssdi@ssdi-power.com \* www.ssdi-power.com

**SDA5000  
thru  
SDA25000**

**PACKAGE OUTLINE: SDA5000 thru SDA25000**



\*For information on curves, contact the Factory Representative for Engineering Assistance.

**NOTE:** All specifications are subject to change without notification.  
SCD's for these devices should be reviewed by SSDI prior to release.

**DATA SHEET #: RC0079A**

**DOC**