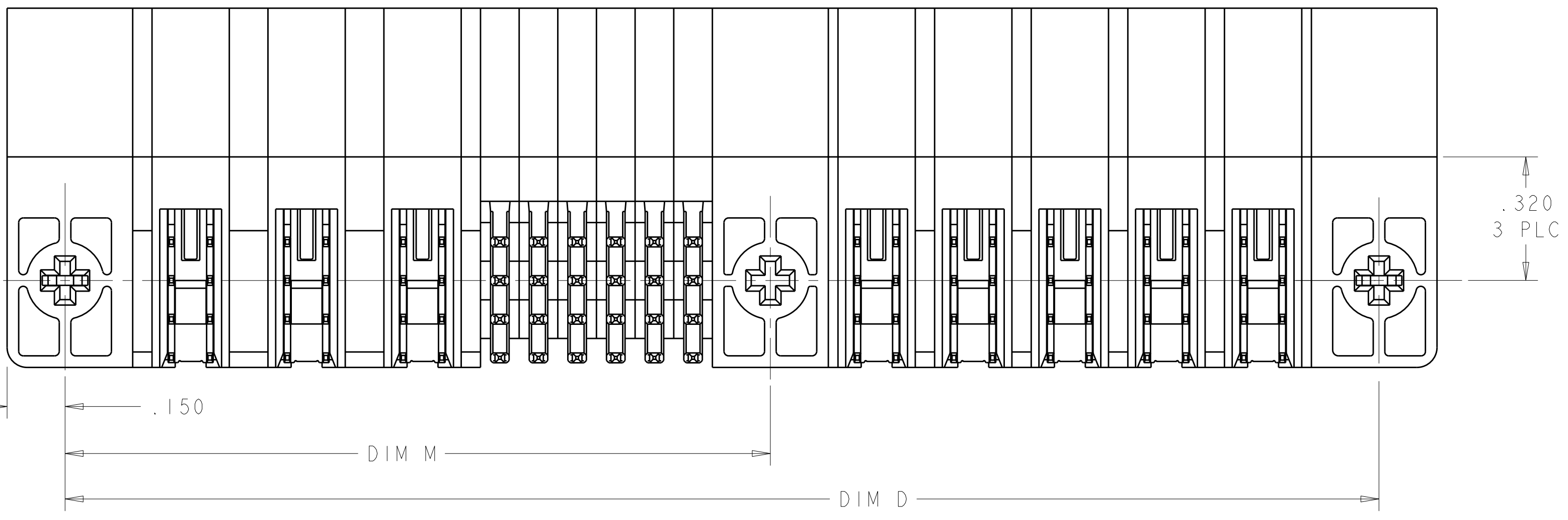
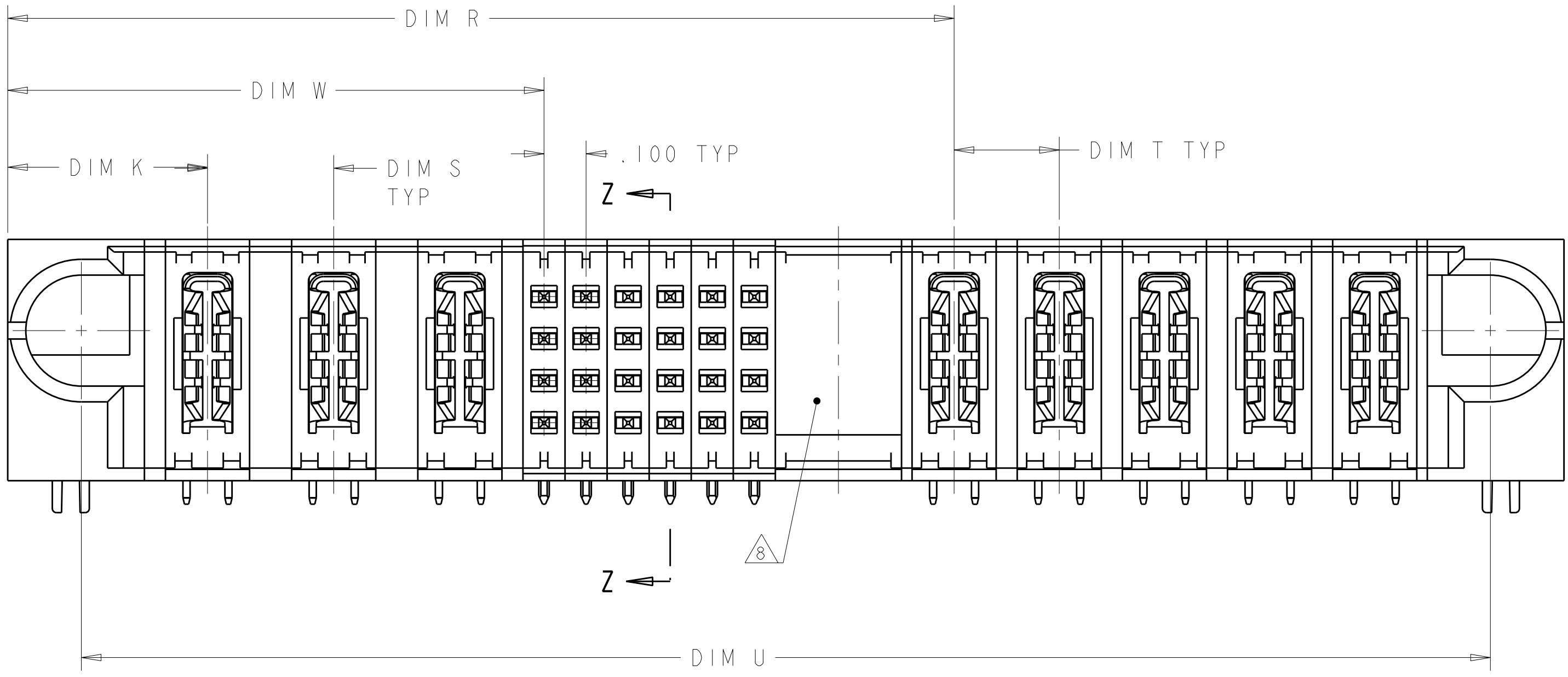
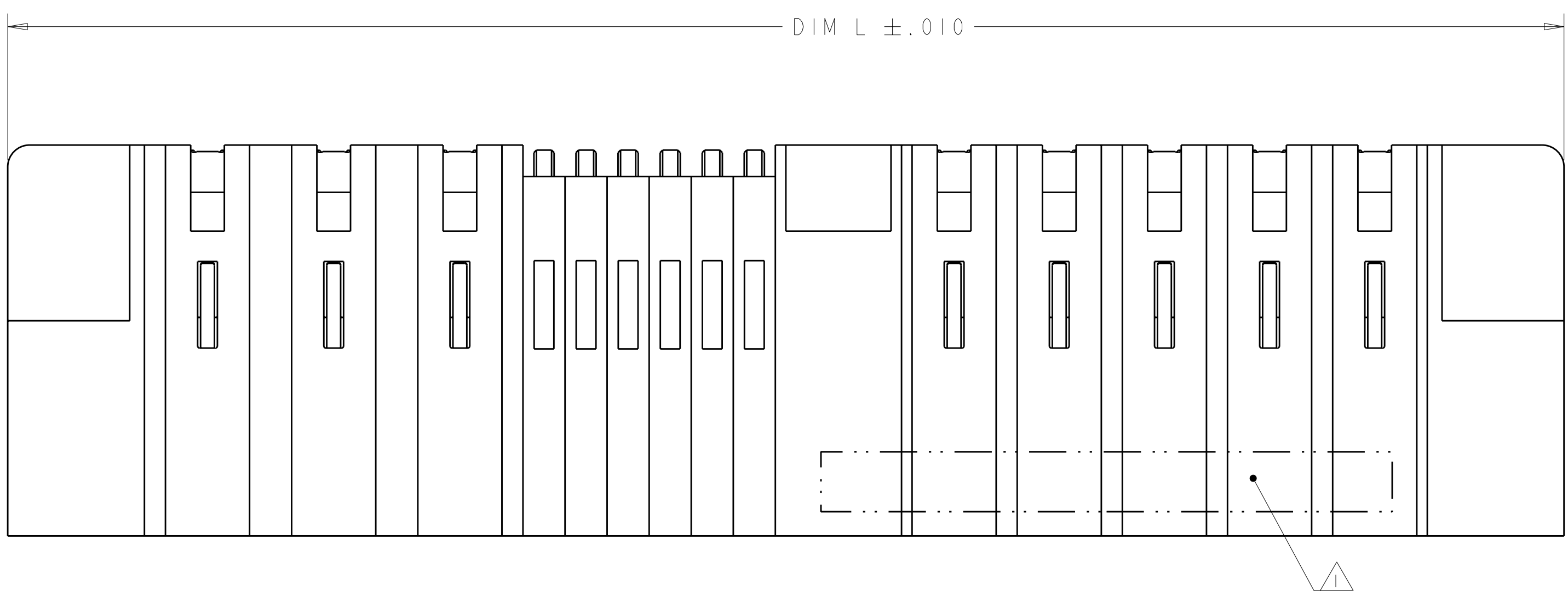
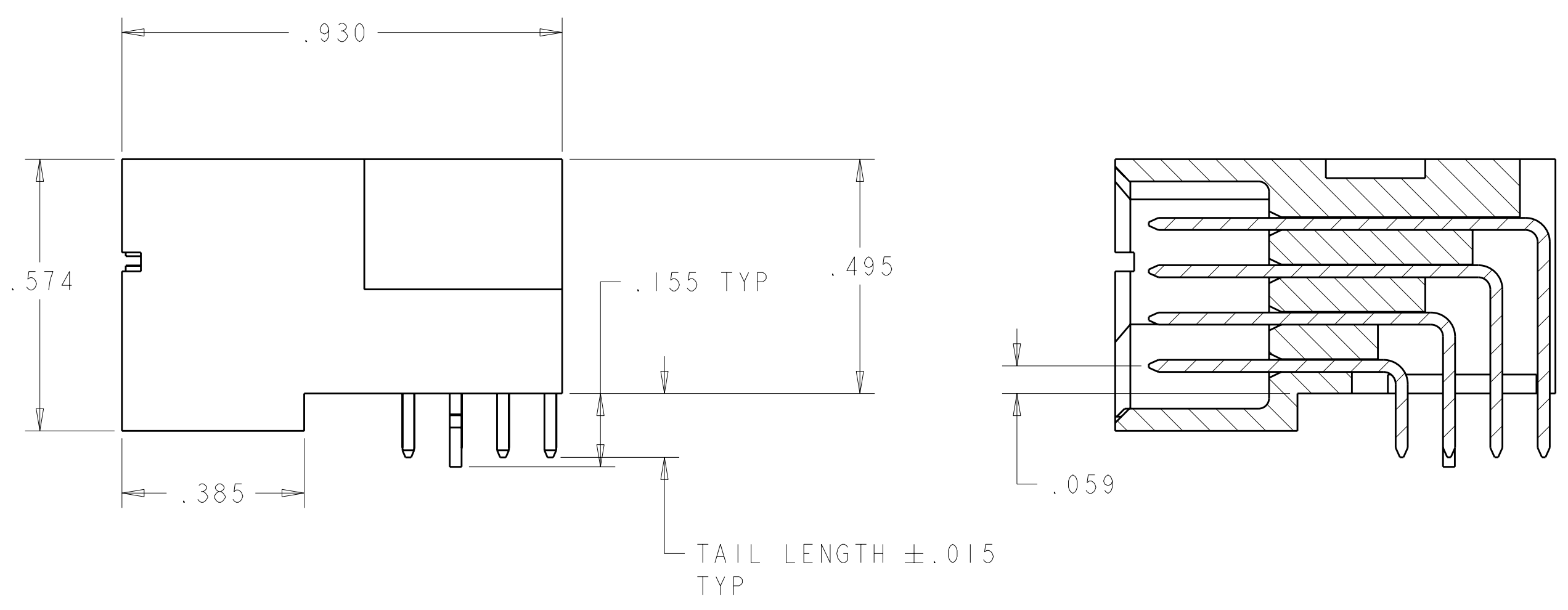


LOC	DIST	REV	DATE	DWN	APVD
ES	00	H2	REV PER ECR-09-022207	14OCT2009	IL SY



- 1 "AMP", PART NUMBER, AND DATE CODE TO BE MARKED IN AREA SHOWN.
- 2 MATERIAL: HOUSING - GLASS FILLED HIGH TEMP THERMO PLASTIC, UL94 V-0
 SIGNAL CONTACT - COPPER ALLOY
 POWER CONTACT - HIGH CONDUCTIVITY COPPER ALLOY
- 3 CONTACT PLATING: SIGNAL CONTACTS - .000050 MIN Ni UNDER ALL.
 .000030 MIN Au ON CONTACT AREA.
 .000100 MIN Sn AT PCB INTERFACE.
 POWER CONTACTS - .000050 MIN Ni UNDER ALL.
 .000030 MIN Au ON CONTACT AREA.
 .000100 MIN Sn AT PCB INTERFACE.
- 4 MECHANICAL CONNECTOR KEEP OUT ZONE.
- 5 DATUM AND BASIC DIMENSIONS ESTABLISHED BY CUSTOMER.
- 6 PCB - ALL HOLE DIAMETERS ARE FINISHED HOLE SIZES.
- 7 PCB - .0453 +/- .0010 DRILLED HOLES PLATED WITH .0003 MIN Sn OVER
 .001 TO .003 PLATING TO ACHIEVE A .040 DIA. HOLE.
- 8 OPTIONAL CENTER MODULE WITH Ø.150 THRU HOLE OR HOLD DOWN FEATURE.

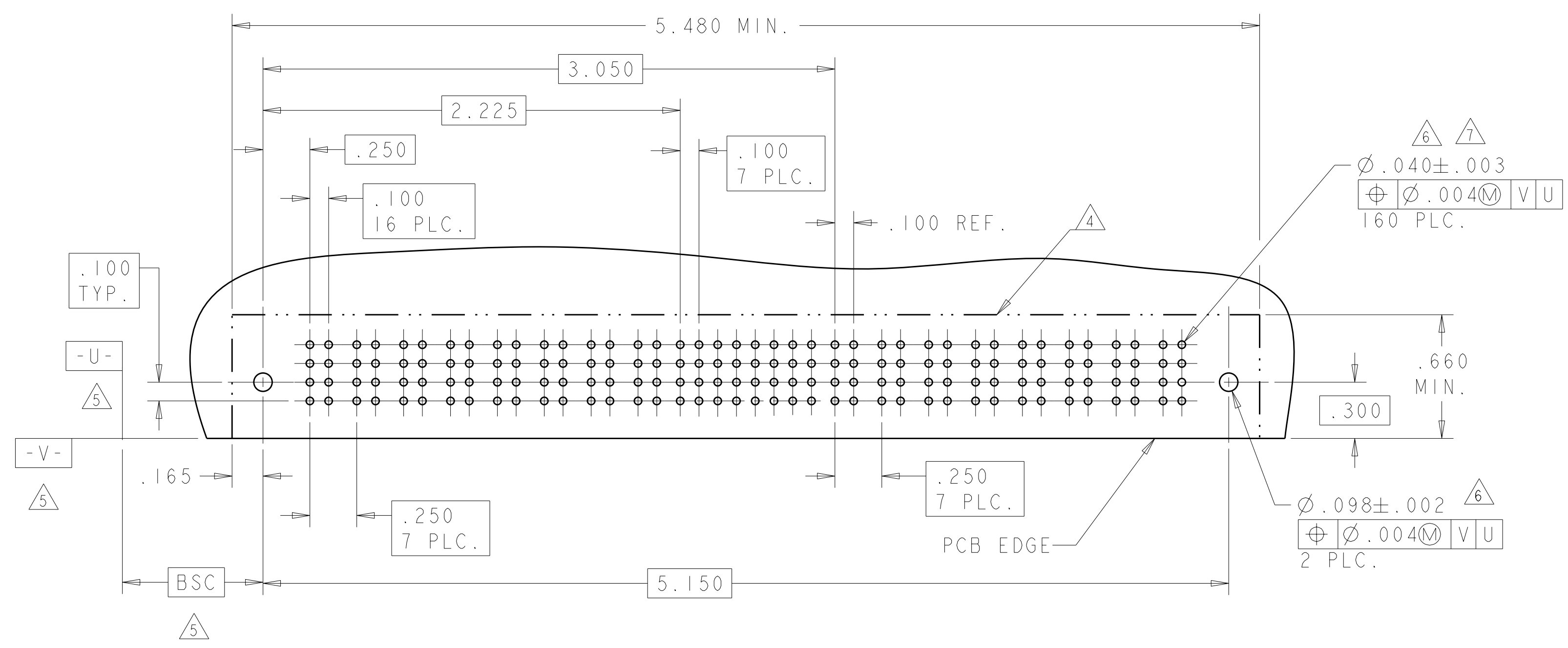


SECTION Z-Z

DIMENSIONS: INCHES 9 PLC ±. 1 PLC ±.01 2 PLC ±.01 3 PLC ±.005 4 PLC ±.0020 ANGLES ±.0°		TOLERANCES UNLESS OTHERWISE SPECIFIED: .0005 .001 .002 .005 .01 .02 .05 .1 .2 .5 1 2 5 10 20 50 100 200 500 1000		DWN: R. GRZYBOWSKI 02FEB05 CHK: M. PERCHERKE 02FEB05 APVD: M. PERCHERKE 02FEB05 NAME: M. PERCHERKE PRODUCT SPEC: 108-1973 APPLICATION SPEC: 114-13038 WEIGHT: - CUSTOMER DRAWING		Tyco Electronics Corporation Shanghai, P.R. China, 200233 RIGHT ANGLE HEADER W/GUIDES ASSEMBLY MULTI-BEAM XL SIZE: CAGE CODE: DRAWING NO: 00779 C-6450120 SCALE: 4:1 SHEET 1 OF 15 REV: H2	
--	--	--	--	---	--	---	--

LOC	DIST	REVISIONS					
ES	00	P	LTH	DESCRIPTION	DATE	DWN	APVD
		-	-	SEE SHEET 1	-	-	-

PART NUMBER	ROWS	POWER								SIGNAL								POWER							
		P1	P2	P3	P4	P5	P6	P7	P8	1	2	3	4	5	6	7	8	P9	P10	P11	P12	P13	P14	P15	P16
6450120-1	D C B A	PM	PM	PM	PM	PM	PM	PM	PM	J	J	J	J	J	J	J	J	PM	PM	PM	PM	PM	PM	PM	PM
										K	K	K	K	K	K	K	K								
										N	N	N	N	N	N	N	N								
8P + 32S + 8P		HD		HD		HD		HD		HD		HD		HD		HD		HD		HD		HD			



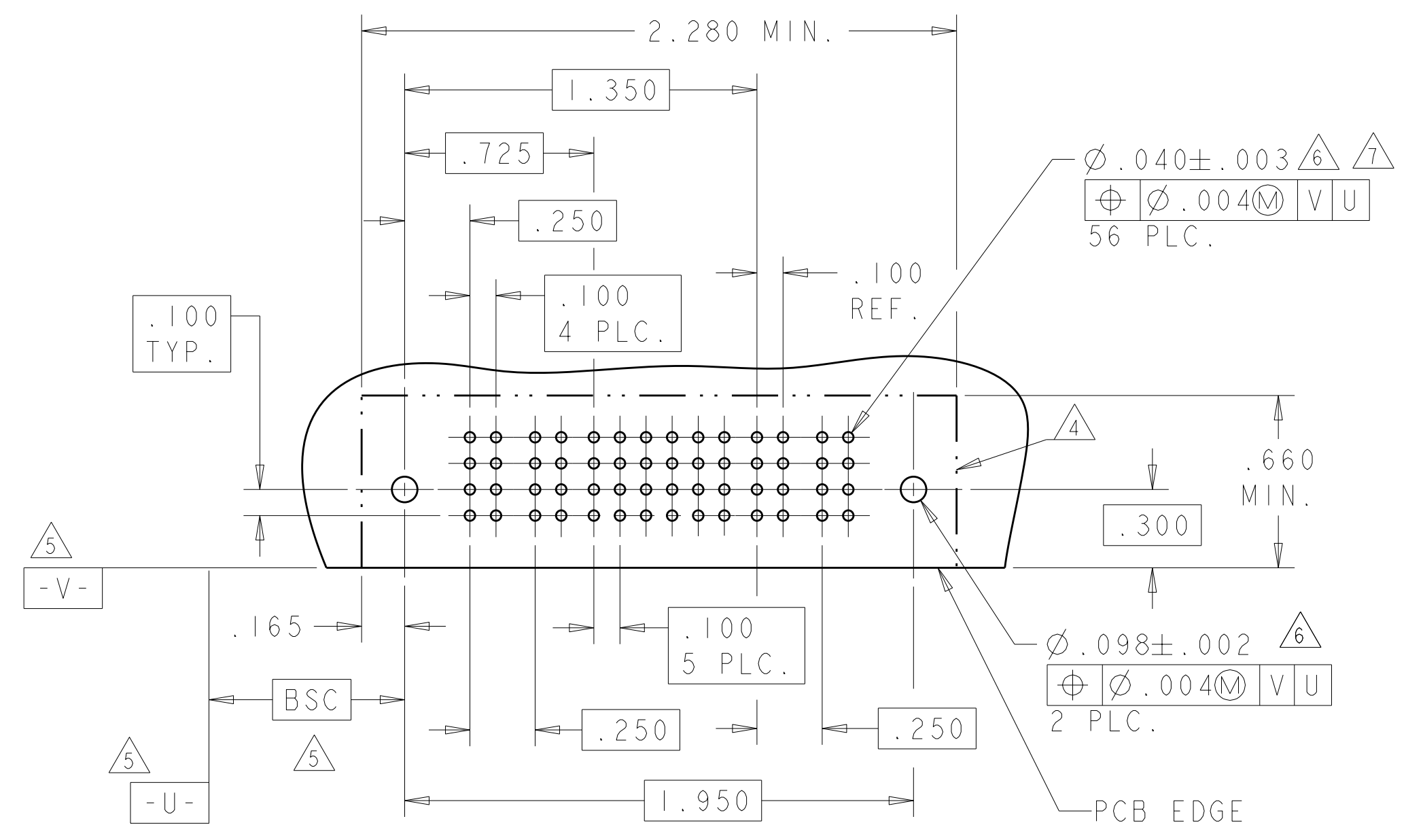
3.800	.250	.300	1.875	1.375	3.850	-	4.150	.450	4P + 16S + 7ACP	5-6450120-0
1.600	.250	.250	1.250	.875	1.650	-	1.950	.450	2P + 12S + 2P	4-6450120-9
2.900	.250	.250	2.050	1.375	2.950	-	3.250	.450	4P + 24S + 4P	4-6450120-8
1.900	.250	.250	1.550	0.875	1.950	-	2.250	.450	2P + 24S + 2P	4-6450120-7
2.000	.250	.250	1.400	1.125	2.050	-	2.350	.450	3P + 8S + 3P	4-6450120-6
2.900	.250	.250	3.550	2.875	5.950	-	6.250	.450	10P + 24S + 10P	4-6450120-5
3.700	.200	.300	2.700	2.025	3.750	-	4.050	.450	8P + 24S + 4ACP	4-6450120-4
2.900	.300	.250	2.050	1.575	2.950	-	3.250	.475	4ACP+16S+4P	4-6450120-3
4.375	.250	.300	3.375	2.375	4.425	3.100	4.725	.450	8P + 24S + 1M + 4ACP	4-6450120-2
4.100	.300	.250	2.250	1.575	4.150	-	4.450	.475	4ACP + 24S + 8P	4-6450120-0
3.800	.250	.250	3.450	.875	3.850	-	4.150	.450	2P + 100S + 2P	3-6450120-6
4.600	.250	.250	3.250	1.875	4.650	-	4.950	.450	6P + 52S + 6P	3-6450120-5
5.100	.250	.250	3.500	2.175	5.150	-	5.450	.450	7P + 48S + 7P	3-6450120-4
3.500	.250	.300	2.775	2.375	3.550	-	3.850	.450	8P + 12S + 3ACP	3-6450120-3
4.000	.200	.200	2.700	1.825	4.050	-	4.350	.450	7HDP + 32S + 7HDP	3-6450120-0
3.900	.250	.250	2.550	1.875	3.950	-	4.250	.450	6P + 24S + 6P	2-6450120-7
5.200	.300	.250	2.350	1.625	5.250	-	5.550	.475	4ACP + 24S + 12P	2-6450120-6
2.500	.250	.250	2.150	1.425	2.550	-	2.850	.450	4P + 24S + 2P	2-6450120-5
3.600	.250	.250	2.500	1.625	3.650	-	3.950	.450	5P + 32S + 5P	2-6450120-4
2.500	.250	.250	2.150	.875	2.550	-	2.850	.450	2P + 48S + 2P	2-6450120-3
4.500	.300	.250	1.650	.975	4.550	-	4.850	.475	2ACP + 24S + 12P	2-6450120-2
2.850	.250	.250	2.000	1.125	2.900	-	3.200	.450	3P + 32S + 4P	2-6450120-1
3.950	.200	.250	2.125	1.025	4.000	-	4.300	.425	3P + 40S + 8P	2-6450120-0
1.400	-	-	1.300	.625	1.450	-	1.750	.450	1P + 24S + 1P	1-6450120-6
2.000	.300	.300	1.575	.975	2.050	-	2.350	.475	2P + 20S + 2P	1-6450120-4
1.200	-	-	1.100	.625	1.250	-	1.550	.450	1P + 16S + 1P	1-6450120-3
2.400	.250	.250	1.800	1.125	2.450	-	2.750	.450	3P + 24S + 3P	1-6450120-2
2.675	.200	.200	2.375	1.650	2.725	-	3.025	.450	5P + 24S + 2P	1-6450120-1
4.350	.250	.250	3.500	2.625	4.400	-	4.700	.450	9P + 32S + 4P	1-6450120-0
4.150	.250	.250	2.800	2.125	4.200	-	4.500	.450	7P + 24S + 6P	6450120-9
2.800	.250	.300	2.075	1.375	2.850	-	3.150	.450	4P + 24S + 3ACP	6450120-8
3.050	.300	.250	1.950	1.275	3.100	-	3.400	.475	3ACP + 24S + 5P	6450120-7
7.400	.250	.250	5.050	2.875	7.450	-	7.750	.450	10P + 84S + 10P	6450120-6
4.350	.250	.250	3.000	2.125	4.400	-	4.700	.450	7P + 32S + 6P	6450120-5
3.650	.250	.250	2.550	1.875	3.700	-	4.000	.450	6P + 24S + 5P	6450120-4
2.900	.250	.250	1.800	1.125	2.950	-	3.250	.450	3P + 24S + 5P	6450120-3
1.900	.250	.250	1.550	0.875	1.950	-	2.250	.450	2P + 24S + 2P	6450120-2
5.100	.250	.250	3.250	2.375	5.150	-	5.450	.450	8P + 32S + 8P	6450120-1

U	S	T	R	W	D	M	L	K	DESCRIPTION	PART NUMBER
									RIGHT ANGLE HEADER W/GUIDES ASSEMBLY MULTI-BEAM XL	

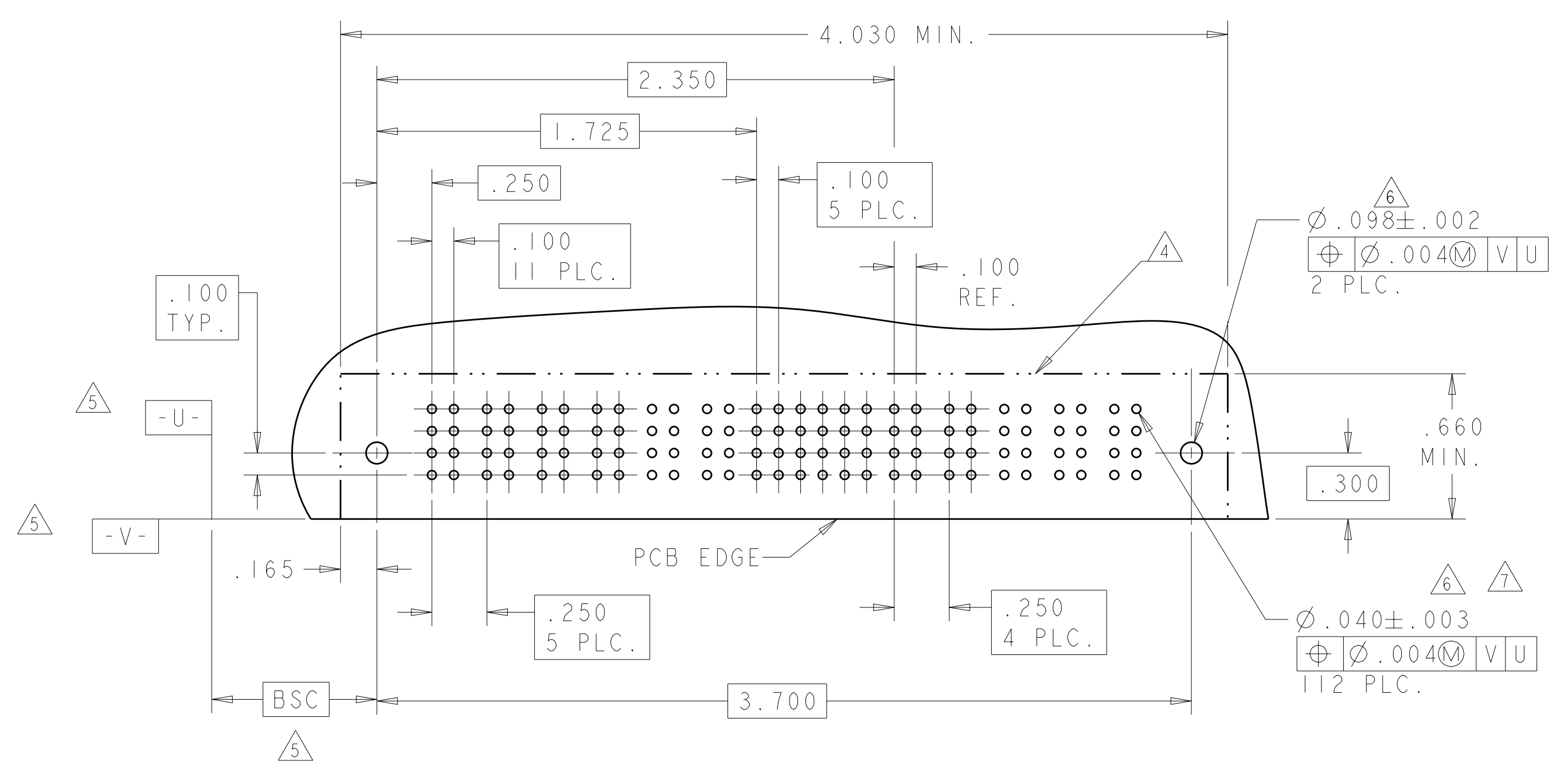
DIMENSIONS: INCHES		TOLERANCES UNLESS OTHERWISE SPECIFIED:		DWN: R. GRZYBOWSKI 02FEB05		APVD: M. PERCHERKE 02FEB05		Tyco Electronics Corporation Shanghai, P.R.China, 200233	
9 PLC	±.01	5 PLC	±.005	PRODUCT SPEC	108-1973	APPLICATION SPEC	114-13038	SIZE	CAGE CODE
4 PLC	±.0020	ANGLES	±.0020	WEIGHT				00779	6450120
MATERIAL		FINISH		CUSTOMER DRAWING		SCALE		SHEET 2 OF 15	

LOC	DIST	REV	DATE	BY	APPD
ES	00				

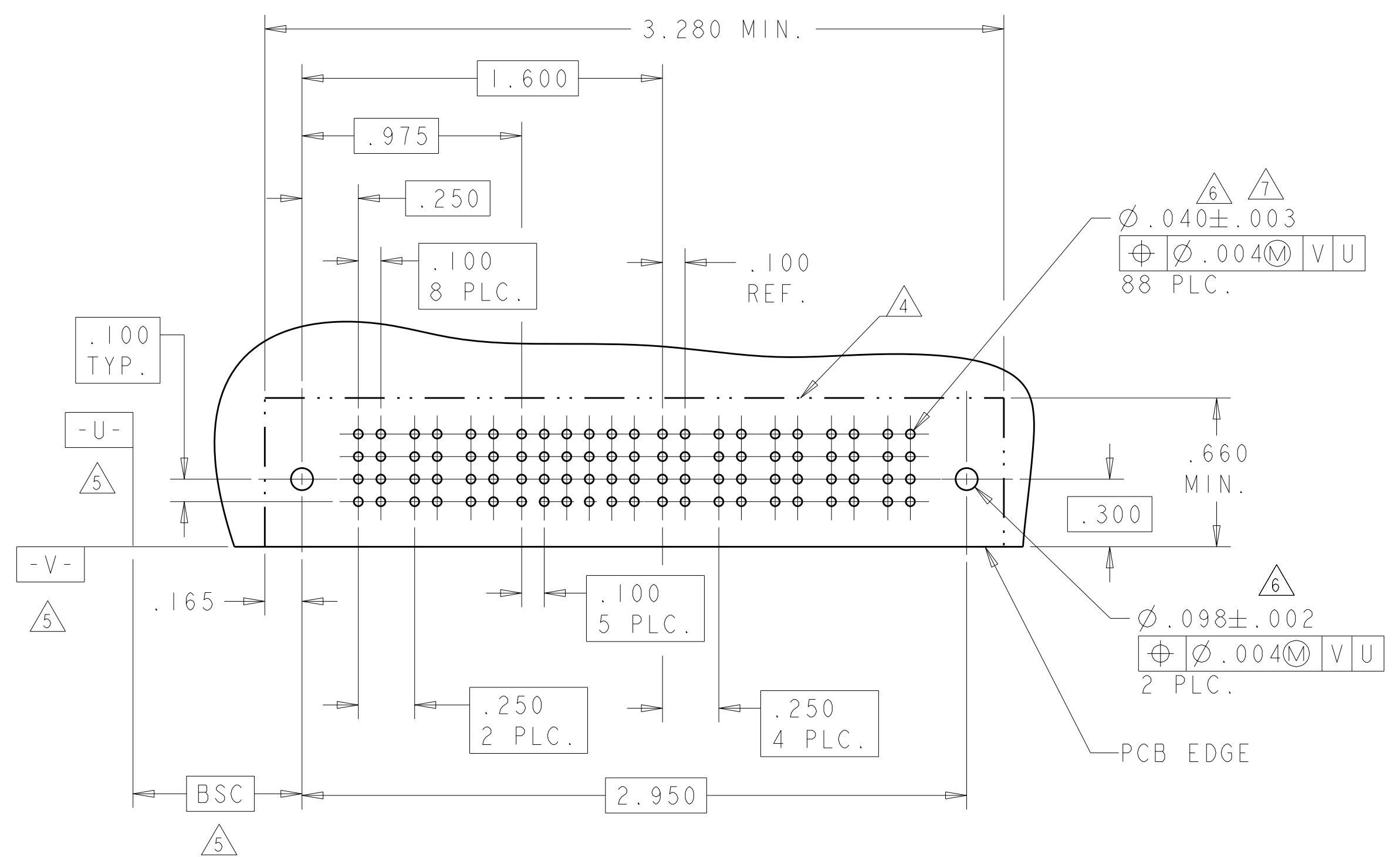
PART NUMBER	ROWS	POWER		SIGNAL						POWER			
		P1	P2	1	2	3	4	5	6	P3	P4		
6450120-2	D C B A	PM	PM	J	J	J	J	J	J	PM	PM	HD	HD
				K	K	K	K	K	K				
				N	N	N	N	N	N				
				S	S	S	S	S	S				
2P + 24S + 2P													



PART NUMBER	ROWS	POWER						SIGNAL						POWER									
		P1	P2	P3	P4	P5	P6	1	2	3	4	5	6	P7	P8	P9	P10	P11					
6450120-4	D C B A	PM	PM	PM	PM	PM	PM	J	J	J	J	J	J	PM	PM	PM	PM	PM	PM	PM	PM	HD	HD
								K	K	K	K	K	K										
								N	N	N	N	N	N										
								S	S	S	S	S	S										
6P + 24S + 5P																							



PART NUMBER	ROWS	POWER			SIGNAL						POWER							
		P1	P2	P3	1	2	3	4	5	6	P4	P5	P6	P7	P8			
6450120-3	D C B A	PM	PM	PM	J	J	J	J	J	J	PM	PM	PM	PM	PM	PM	HD	HD
					K	K	K	K	K	K								
					N	N	N	N	N	N								
					S	S	S	S	S	S								
3P + 24S + 5P																		



L4	STD	.165	D
L3	STD	.165	B
L2	STD	.165	C
L1	STD	.165	A
Z	STD	.090	D
Y	STD	.090	C
R	STD	.090	B
O	STD	.090	A
F	MLBF	.135	C
G	MLBF	.135	B
J	STD	.135	D
K	STD	.135	C
N	STD	.135	B
S	STD	.135	A
CODE	MATING SEQUENCE	TAIL LENGTH	ROW

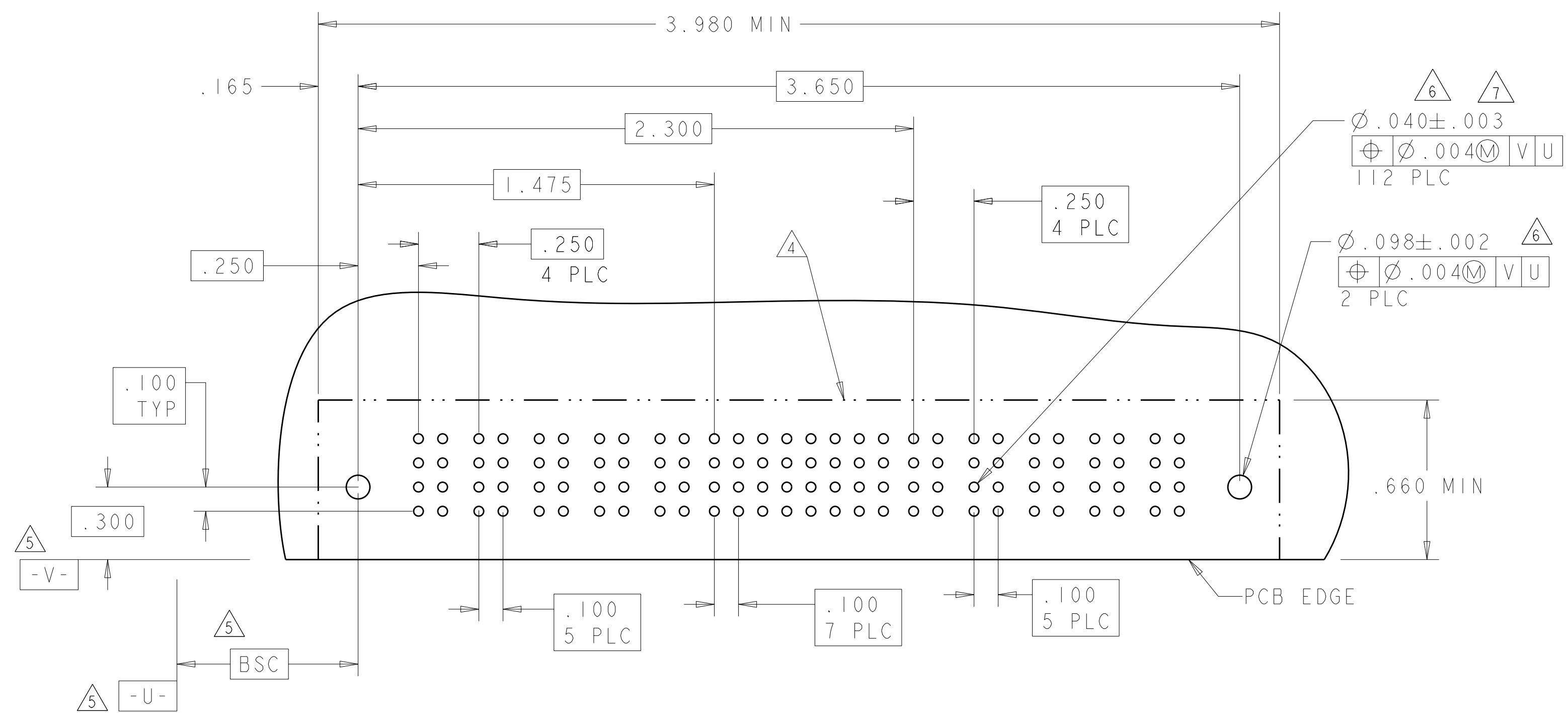
PD	.165
PA	.090
PM	.135
CODE	TAIL LENGTH
POWER CONTACT	

DIMENSIONS: INCHES 		TOLERANCES UNLESS OTHERWISE SPECIFIED: 9 PLC ±. 1 PLC ±.01 5 PLC ±.005 4 PLC ±.0020 ANGLES ±.0020		DWN R. GRZYBOWSKI 02FEB05 CHK M. PERCHERKE 02FEB05 APVD M. PERCHERKE 02FEB05 PRODUCT SPEC 108-1973 APPLICATION SPEC 114-13038 WEIGHT CUSTOMER DRAWING		Tyco Electronics Corporation Shanghai, P.R. China, 200233 NAME RIGHT ANGLE HEADER W/GUIDES ASSEMBLY MULTI-BEAM XL SIZE CAGE CODE DRAWING NO. RESTRICTED TO A11 00779 C=6450120 3 OF 15 REV H2	
------------------------	--	--	--	---	--	---	--

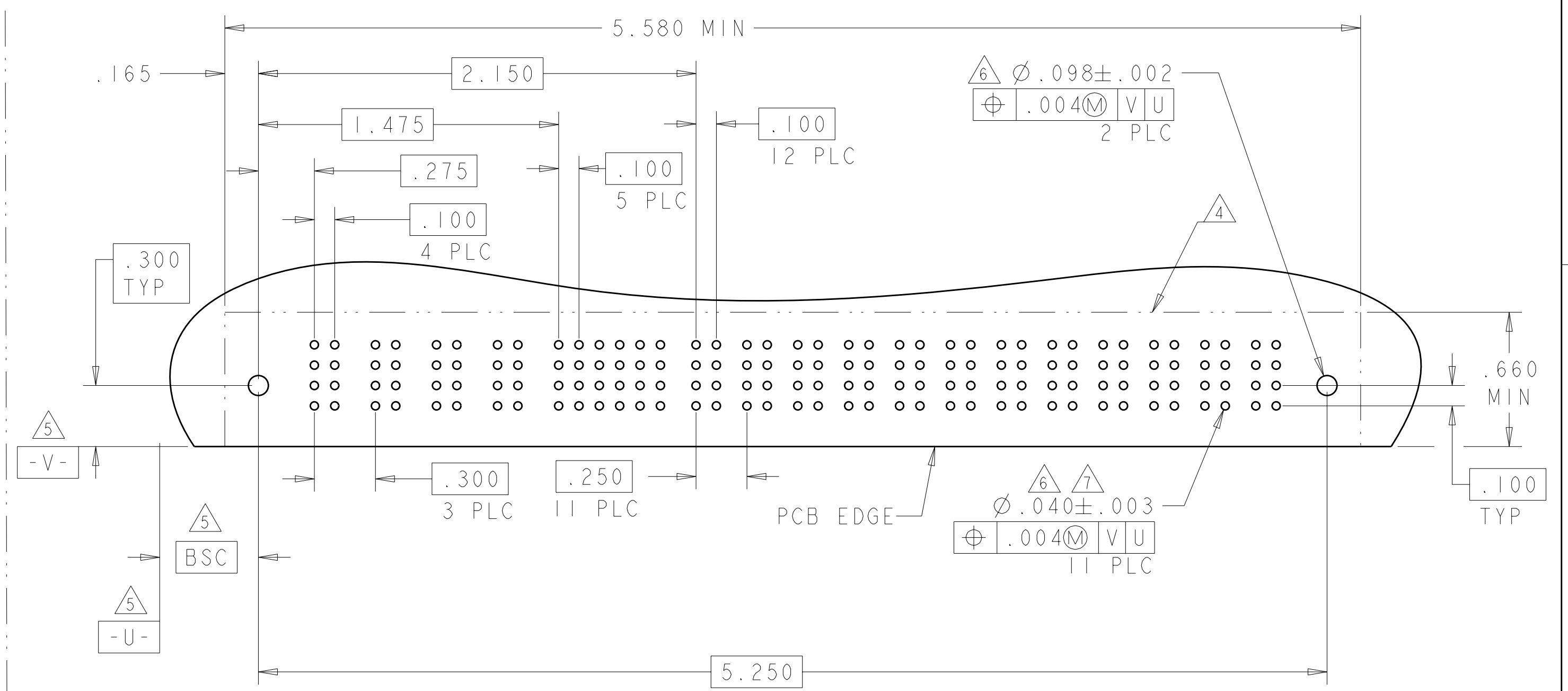
LOC	DIST	REV	DATE	BY	APPD
ES	00				

REVISIONS		DATE	BY	APPD
1	SEE SHEET 1			

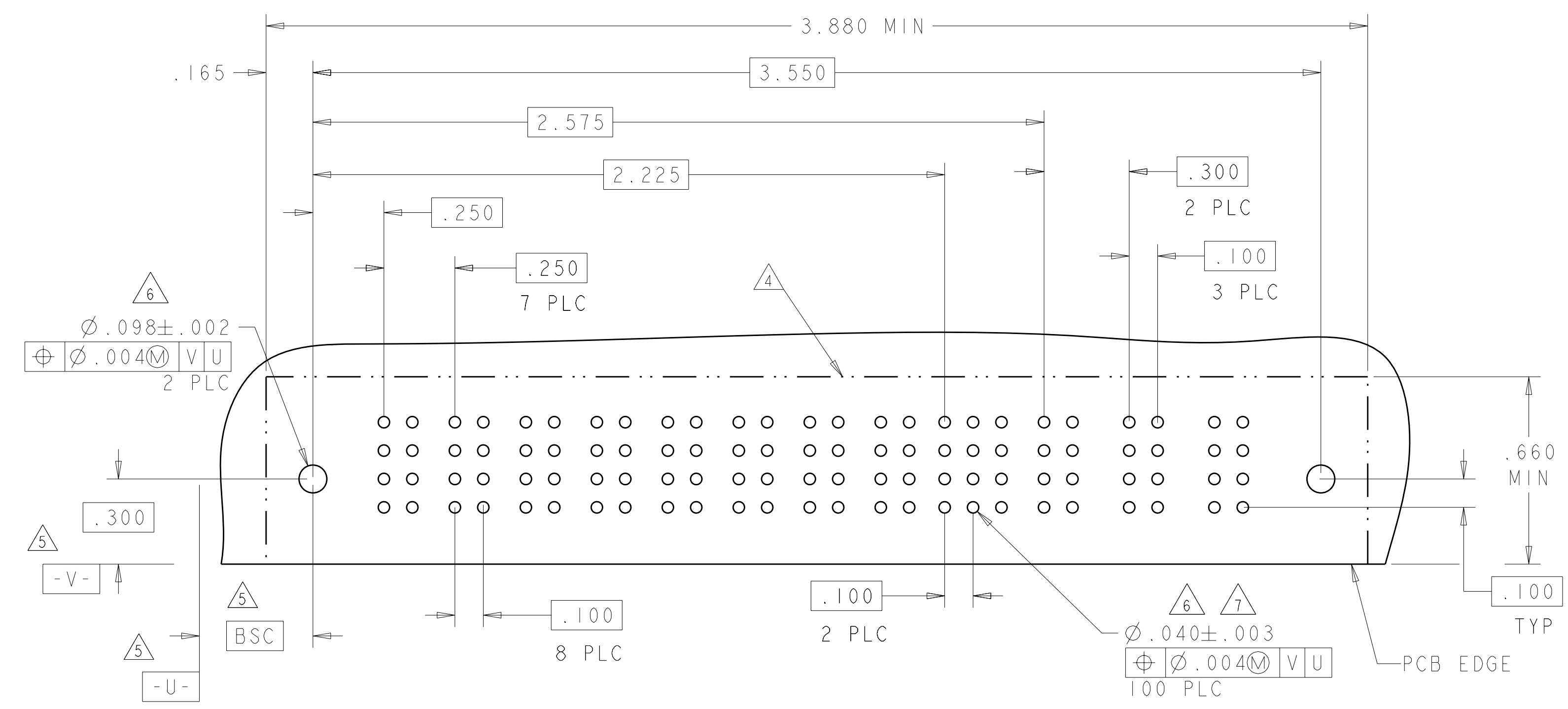
PART NUMBER	ROWS	POWER					SIGNAL								POWER								
		P1	P2	P3	P4	P5	1	2	3	4	5	6	7	8	P6	P7	P8	P9	P10				
2-6450120-4	D C B A	PM	PM	PM	PM	J	J	J	J	J	J	J	J	J	J	PM	PM	PM	PM	PM			
						K	K	K	K	K	K	K	K	K	K	PM	PM	PM	PM	PM			
						N	N	N	N	N	N	N	N	N	N	N	N	N	N	PM	PM	PM	PM
						S	S	S	S	S	S	S	S	S	S	S	S	S	S	PM	PM	PM	PM
5P + 32S + 5P																							



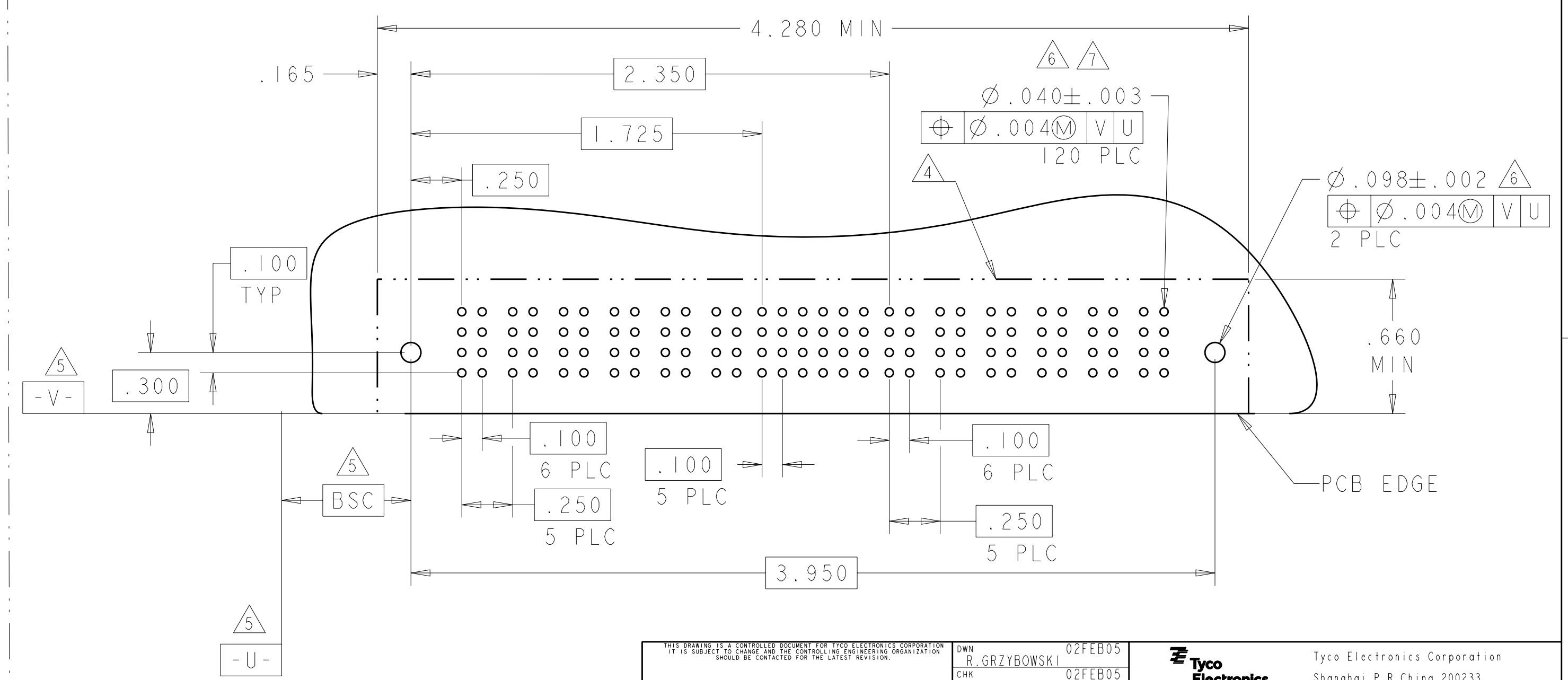
PART NUMBER	ROWS	AC POWER				SIGNAL						POWER															
		P1	P2	P3	P4	1	2	3	4	5	6	P5	P6	P7	P8	P9	P10	P11	P12	P13	P14	P15	P16				
2-6450120-6	D C B A	PM	PM	PM	PM	J	J	J	J	J	J	J	J	J	J	PM	PM	PM	PM	PM	PM	PM	PM	PM			
						K	K	K	K	K	K	K	K	K	K	PM	PM	PM	PM	PM	PM	PM	PM	PM	PM	PM	
						N	N	N	N	N	N	N	N	N	N	PM	PM	PM	PM	PM	PM	PM	PM	PM	PM	PM	PM
						S	S	S	S	S	S	S	S	S	S	PM	PM	PM	PM	PM	PM	PM	PM	PM	PM	PM	PM
4ACP + 24S + 12P																											



PART NUMBER	ROWS	POWER								SIGNAL			POWER		
		P1	P2	P3	P4	P5	P6	P7	P8	1	2	3	P9	P10	P11
3-6450120-3	D C B A	PM	PM	PM	PM	PM	PM	PM	J	J	J	PM	PM	PM	
									K	K	K	PM	PM	PM	
									N	N	N	PM	PM	PM	
									S	S	S	PM	PM	PM	
8P + 12S + 3ACP															



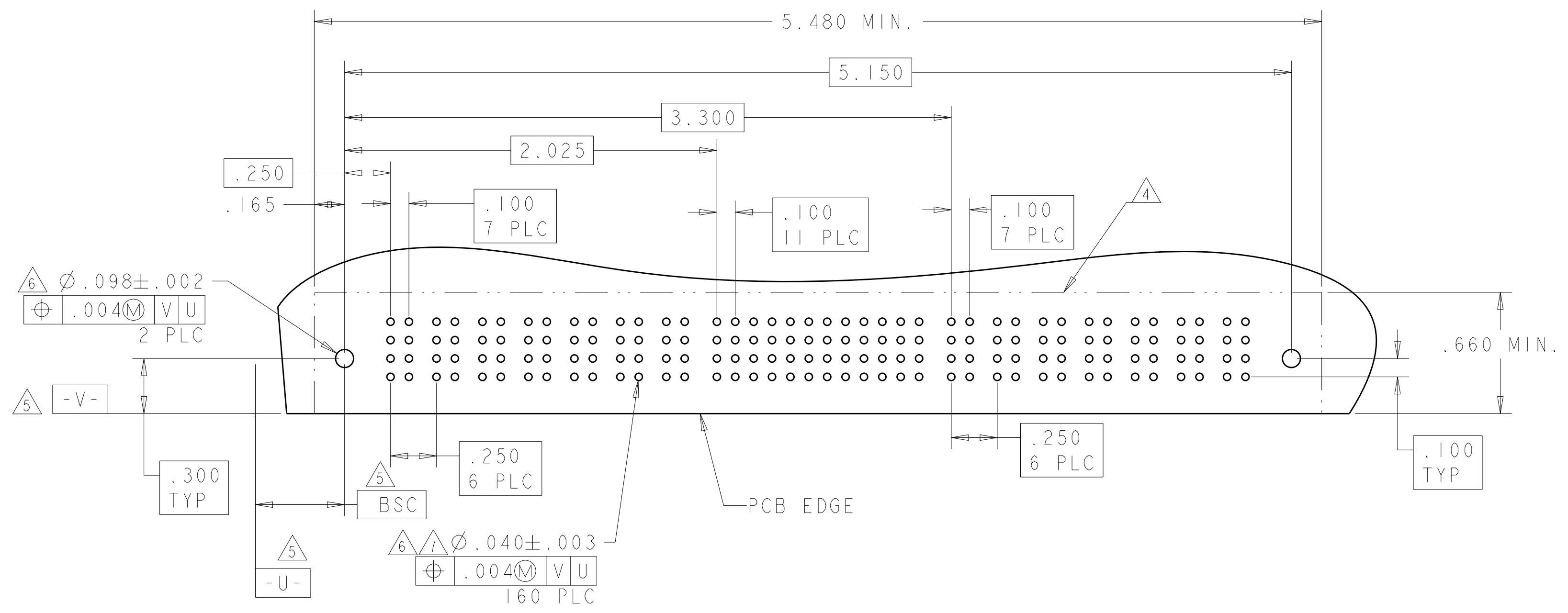
PART NUMBER	ROWS	POWER					SIGNAL						POWER						
		P1	P2	P3	P4	P5	1	2	3	4	5	6	P7	P8	P9	P10	P11	P12	
2-6450120-7	D C B A	PM	PM	PM	PM	J	J	J	J	J	J	J	J	J	PM	PM	PM	PM	PM
						K	K	K	K	K	K	K	K	K	PM	PM	PM	PM	PM
						N	N	N	N	N	N	N	N	N	PM	PM	PM	PM	PM
						S	S	S	S	S	S	S	S	S	PM	PM	PM	PM	PM
6P + 24S + 6P																			



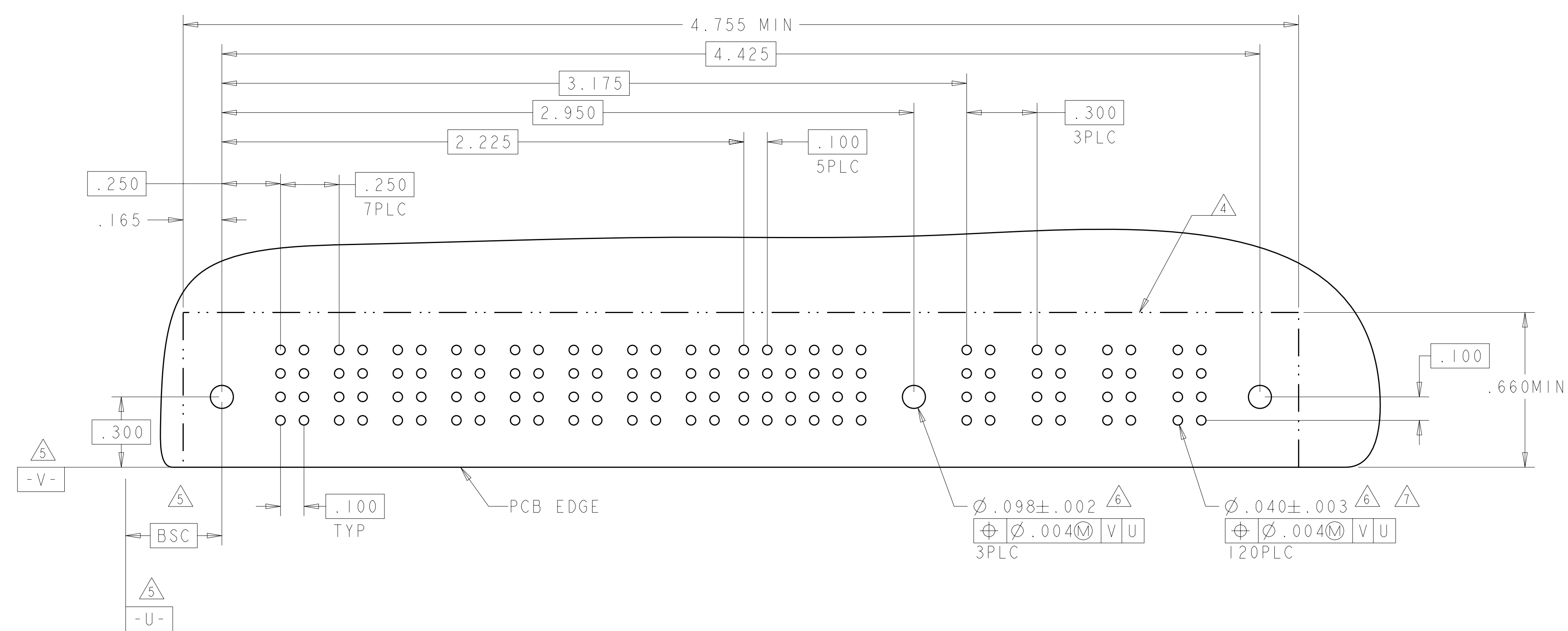
DIMENSIONS: INCHES		TOLERANCES UNLESS OTHERWISE SPECIFIED:		DWN: R. GRZYBOWSKI 02FEB05		Tyco Electronics Corporation	
9 PLC	±.01	9 PLC	±.01	CHK: M. PERCHERKE 02FEB05	NAME: RIGHT ANGLE HEADER W/GUIDES ASSEMBLY MULTI-BEAM XL		Shanghai, P.R.China, 200233
5 PLC	±.005	5 PLC	±.005	APVD: M. PERCHERKE 02FEB05	PRODUCT SPEC: 108-1973		
4 PLC	±.0020	4 PLC	±.0020	APPLICATION SPEC: 114-13038		SIZE: A11	RESTRICTED TO
MATERIAL: -		FINISH: -		WEIGHT: -		CAGE CODE: 00779	DRAWING NO: 6450120
CUSTOMER DRAWING				SCALE: 4:1		SHEET 8 OF 15 REV: H2	

LOC	DIST	REVISIONS					
ES	00	P	LTR	DESCRIPTION	DATE	DWN	APVD
				SEE SHEET 1			

PART NUMBER	ROWS	POWER						SIGNAL												POWER																							
		P1	P2	P3	P4	P5	P6	P7	1	2	3	4	5	6	7	8	9	10	11	12	P8	P9	P10	P11	P12	P13	P14																
3-6450120-4	D C B A	PM	PM	PM	PM	PM	PM	J	J	J	J	J	J	J	J	J	J	J	J	J	J	J	J	J	J	J	J	J	J	PM	PM	PM	PM	PM	PM								
								K	K	K	K	K	K	K	K	K	K	K	K	K	K	K	K	K	K	K	K	K	K							K	K	K	K	K	K		
								N	N	N	N	N	N	N	N	N	N	N	N	N	N	N	N	N	N	N	N	N	N							N	N	N	N	N	N	N	N
								S	S	S	S	S	S	S	S	S	S	S	S	S	S	S	S	S	S	S	S	S	S							S	S	S	S	S	S	S	S
7P + 48S + 7P		HD		HD																																							



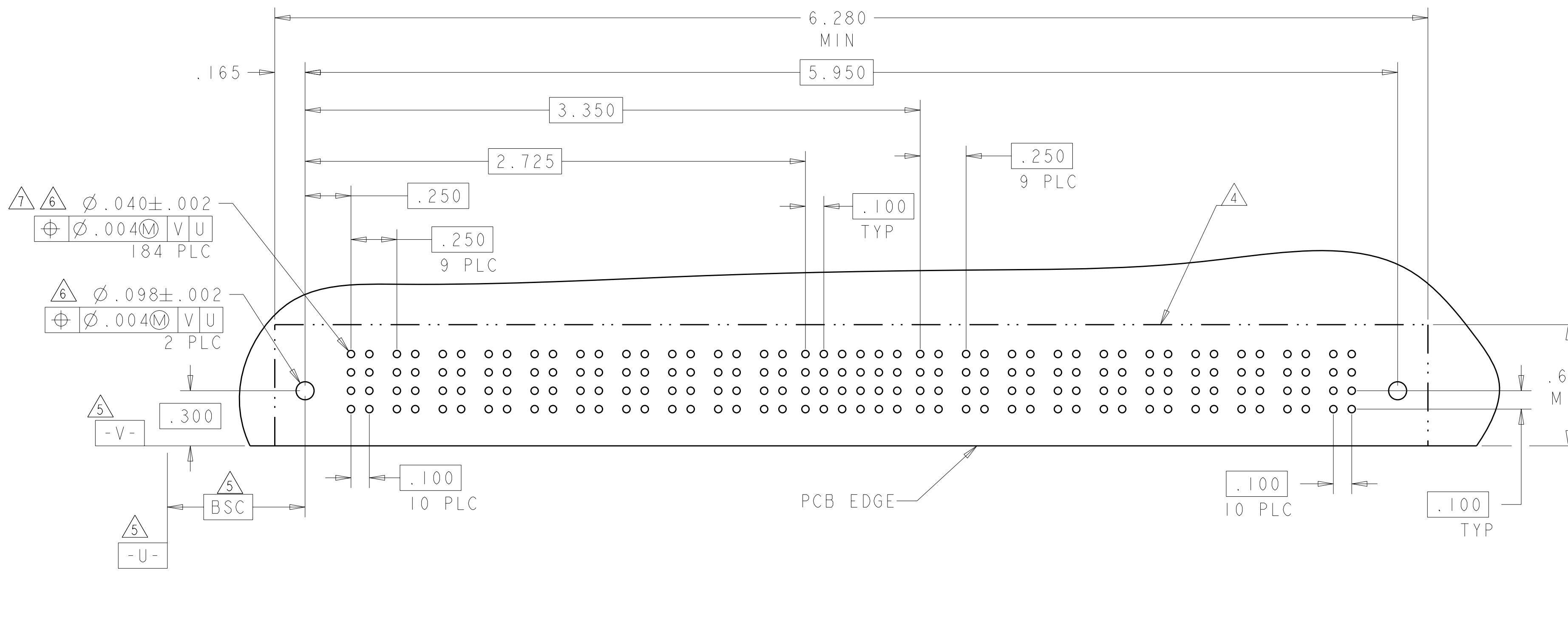
PART NUMBER	ROWS	POWER								SIGNAL						POWER																												
		P1	P2	P3	P4	P5	P6	P7	P8	1	2	3	4	5	6	P9	P10	P11	P12																									
4-6450120-2	D C B A	PM	PM	PM	PM	PM	PM	PM	PM	J	J	J	J	J	J	J	J	J	J	J	J	J	J	J	J	J	J	J	J	J	J	J	J	PM	PM	PM	PM							
										K	K	K	K	K	K	K	K	K	K	K	K	K	K	K	K	K	K	K	K	K	K	K	K					K	K	K	K	K	K	
										N	N	N	N	N	N	N	N	N	N	N	N	N	N	N	N	N	N	N	N	N	N	N	N					N	N	N	N	N	N	N
										S	S	S	S	S	S	S	S	S	S	S	S	S	S	S	S	S	S	S	S	S	S	S	S					S	S	S	S	S	S	S
8P + 24S + 1M + 4ACP		HD		HD																																								



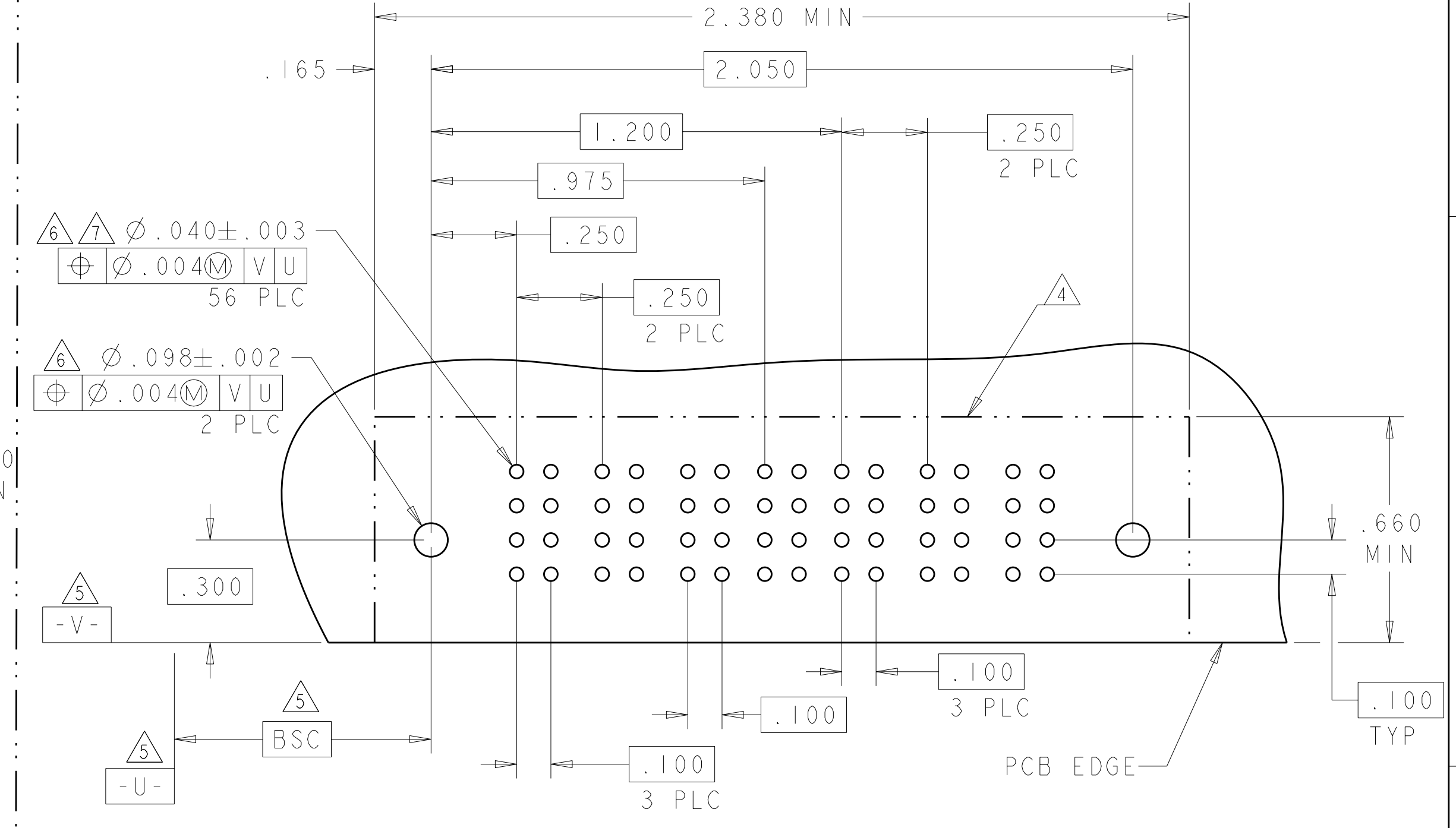
<small>THIS DRAWING IS UNPUBLISHED. RELEASED FOR PUBLICATION BY TYCO ELECTRONICS CORPORATION. ALL RIGHTS RESERVED.</small>		DWN: R. GRZYBOWSKI CHK: M. PERCHERKE APVD: M. PERCHERKE	02FEB05 02FEB05 02FEB05	Tyco Electronics Corporation Shanghai, P.R. China, 200233
DIMENSIONS: INCHES	TOLERANCES UNLESS OTHERWISE SPECIFIED: 9 PLC ±. 1 PLC ±.01 5 PLC ±.005 4 PLC ±.0020 ANGLES ±.0°	PRODUCT SPEC: 108-1973 APPLICATION SPEC: 114-13038 WEIGHT: -	NAME: RIGHT ANGLE HEADER W/GUIDES ASSEMBLY MULTI-BEAM XL SIZE: A11 CAGE CODE: 00779 DRAWING NO: C-6450120	RESTRICTED TO: - SCALE: 4:1 SHEET: 11 OF 15 REV: H2
MATERIAL: - FINISH: -		CUSTOMER DRAWING		

LOC	DIST	REV	DATE	BY	APPD
ES	00				

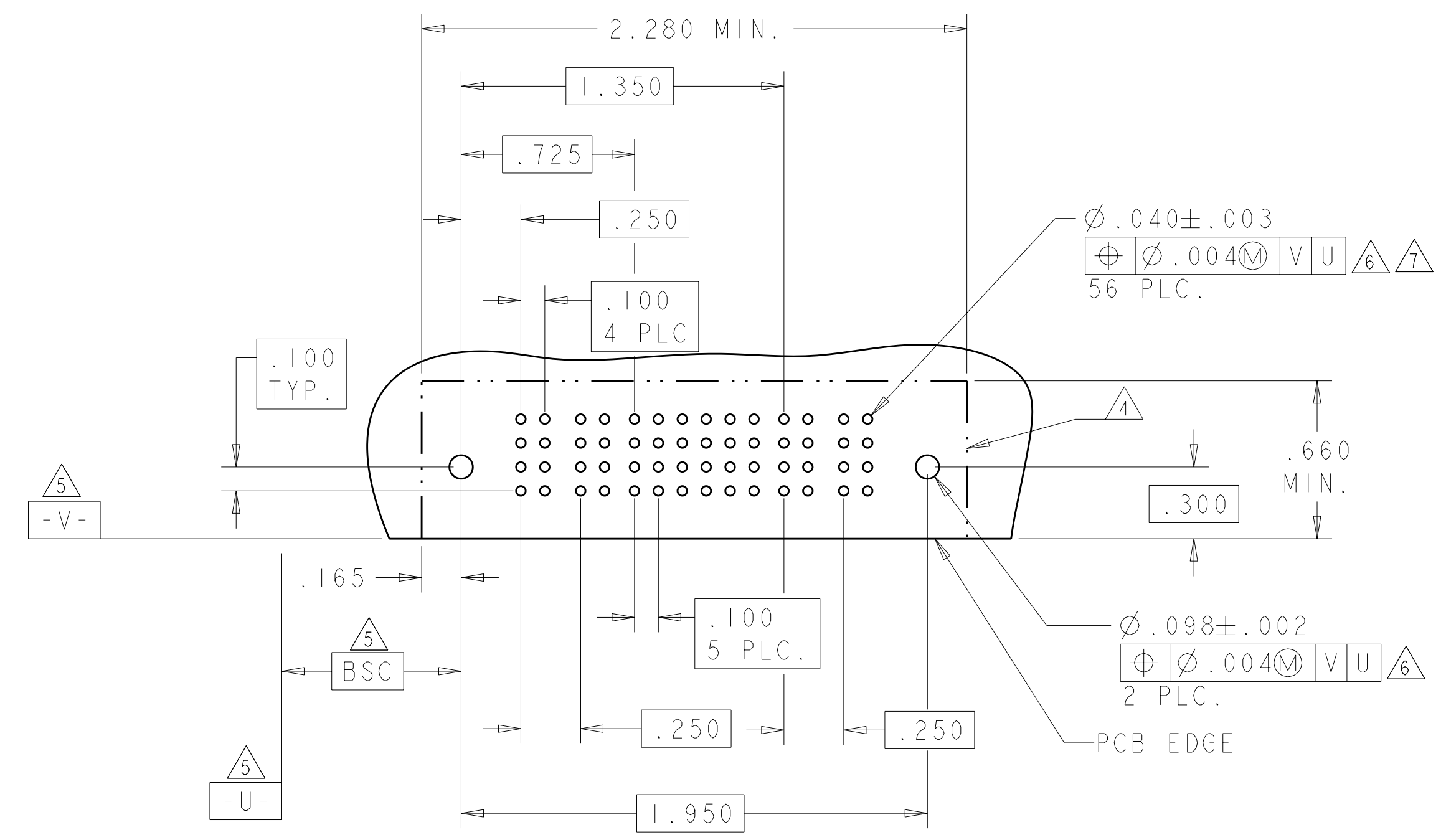
PART NUMBER	ROWS	POWER										SIGNAL						POWER									
		P1	P2	P3	P4	P5	P6	P7	P8	P9	P10	1	2	3	4	5	6	P11	P12	P13	P14	P15	P16	P17	P18	P19	P20
4-6450120-5	D C B A	PM										J	J	J	J	J	J	PM	PM	PM	PM	PM	PM	PM	PM	PM	PM
		PM										K	K	K	K	K	K	PM	PM	PM	PM	PM	PM	PM	PM	PM	PM
		PM										N	N	N	N	N	N	PM	PM	PM	PM	PM	PM	PM	PM	PM	PM
										S																	
10P + 24S + 10P		HD		HD		HD		HD		HD		HD		HD		HD		HD		HD		HD		HD			



PART NUMBER	ROWS	POWER			SIGNAL		POWER		
		P1	P2	P3	1	2	P4	P5	P6
4-6450120-6	D C B A	PM			J	J	PM	PM	PM
		PM			K	K	PM	PM	PM
		PM			N	N	PM	PM	PM
			S						
3P + 8S + 3P		HD		HD		HD		HD	



PART NUMBER	ROWS	POWER		SIGNAL						POWER	
		P1	P2	1	2	3	4	5	6	P3	P4
4-6450120-7	D C B A	PM		J	J	J	J	J	J	PM	PM
		PM		K	K	F	K	K	K	PM	PM
		PM		N	N	G	N	N	N	PM	PM
		S		S							
2P + 24S + 2P		HD		HD		HD		HD		HD	



DIMENSIONS: INCHES 		TOLERANCES UNLESS OTHERWISE SPECIFIED: 9 PLC ±. 1 PLC ±.01 2 PLC ±.01 3 PLC ±.005 4 PLC ±.0020 ANGLES ±.0°		DWN R. GRZYBOWSKI 02FEB05 CHK M. PERCHERKE 02FEB05 APVD M. PERCHERKE 02FEB05 PRODUCT SPEC 108-1973 APPLICATION SPEC 114-13038 WEIGHT CUSTOMER DRAWING		Tyco Electronics Corporation Shanghai, P.R.China, 200233 NAME RIGHT ANGLE HEADER W/GUIDES ASSEMBLY MULTI-BEAM XL SIZE CAGE CODE DRAWING NO. RESTRICTED TO A11 00779 C=6450120 SCALE 4:1 SHEET 13 OF 15 REV H2	
---------------------------	--	--	--	---	--	--	--

