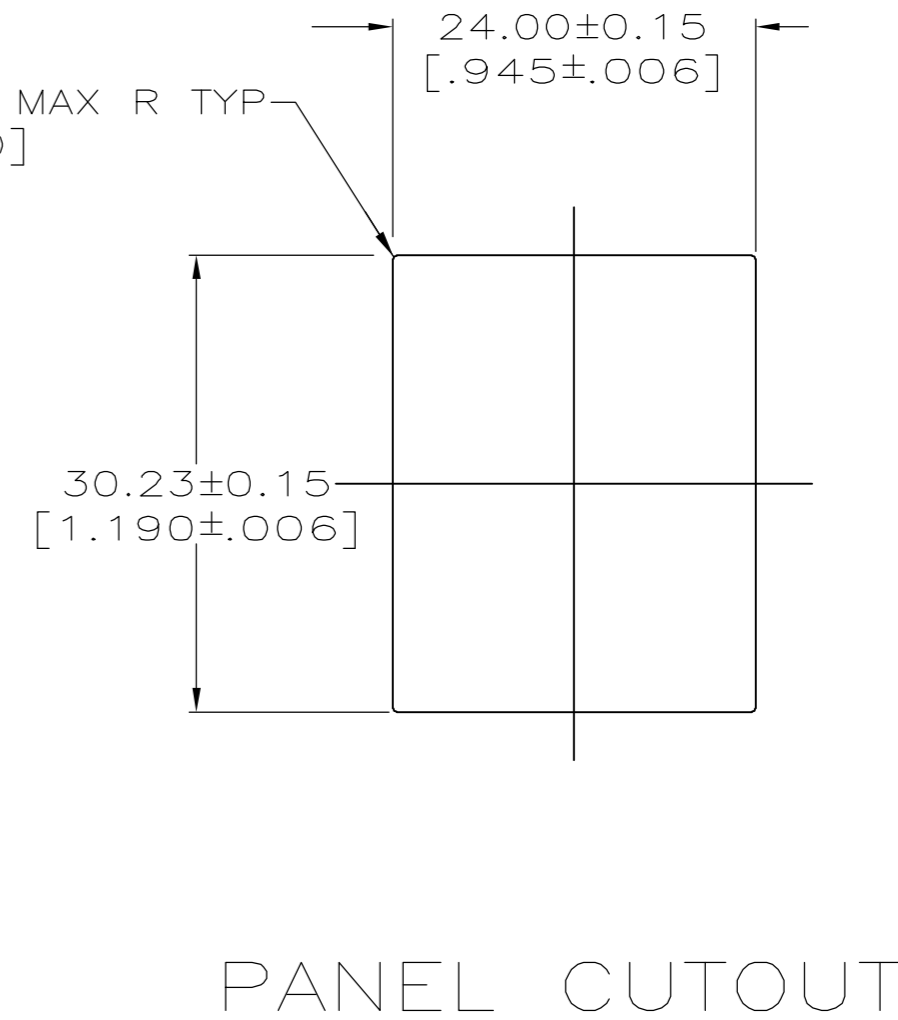
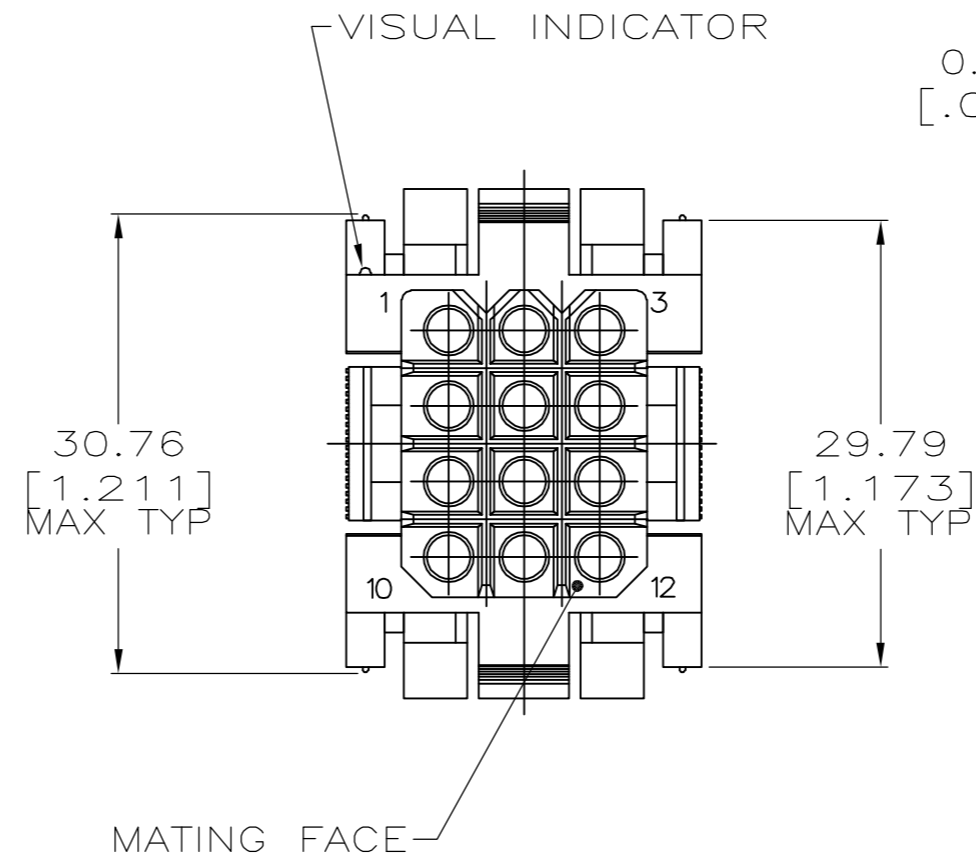
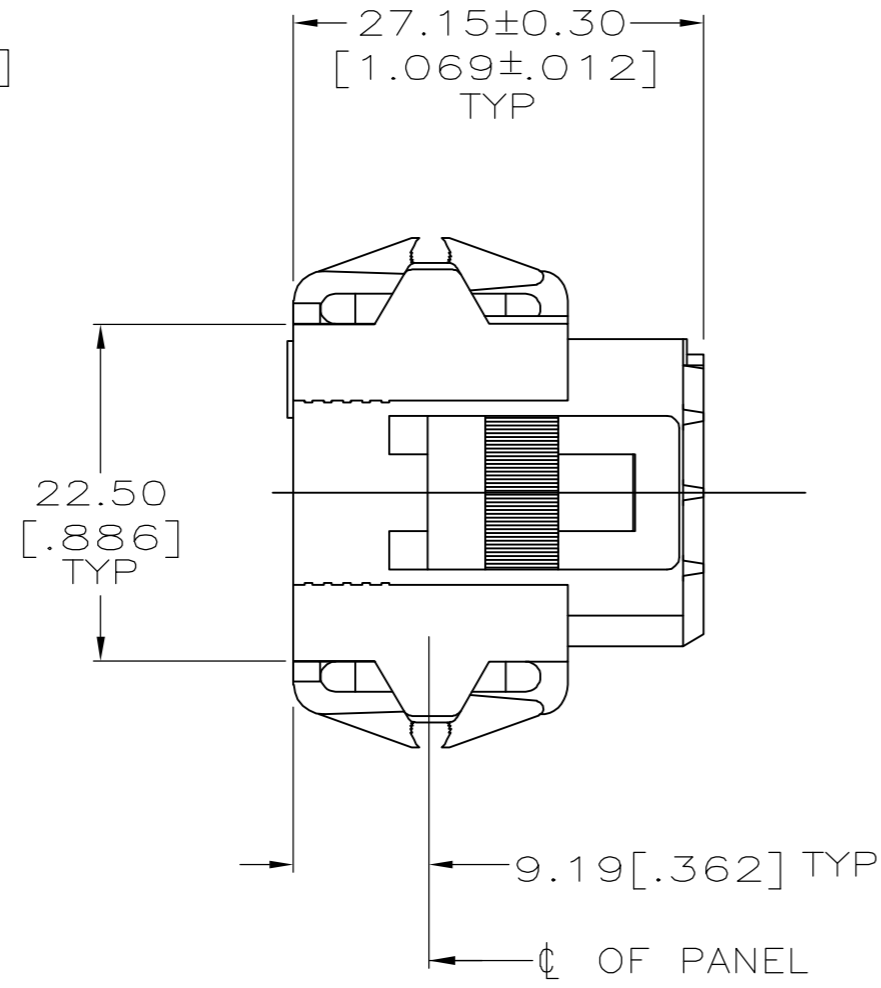
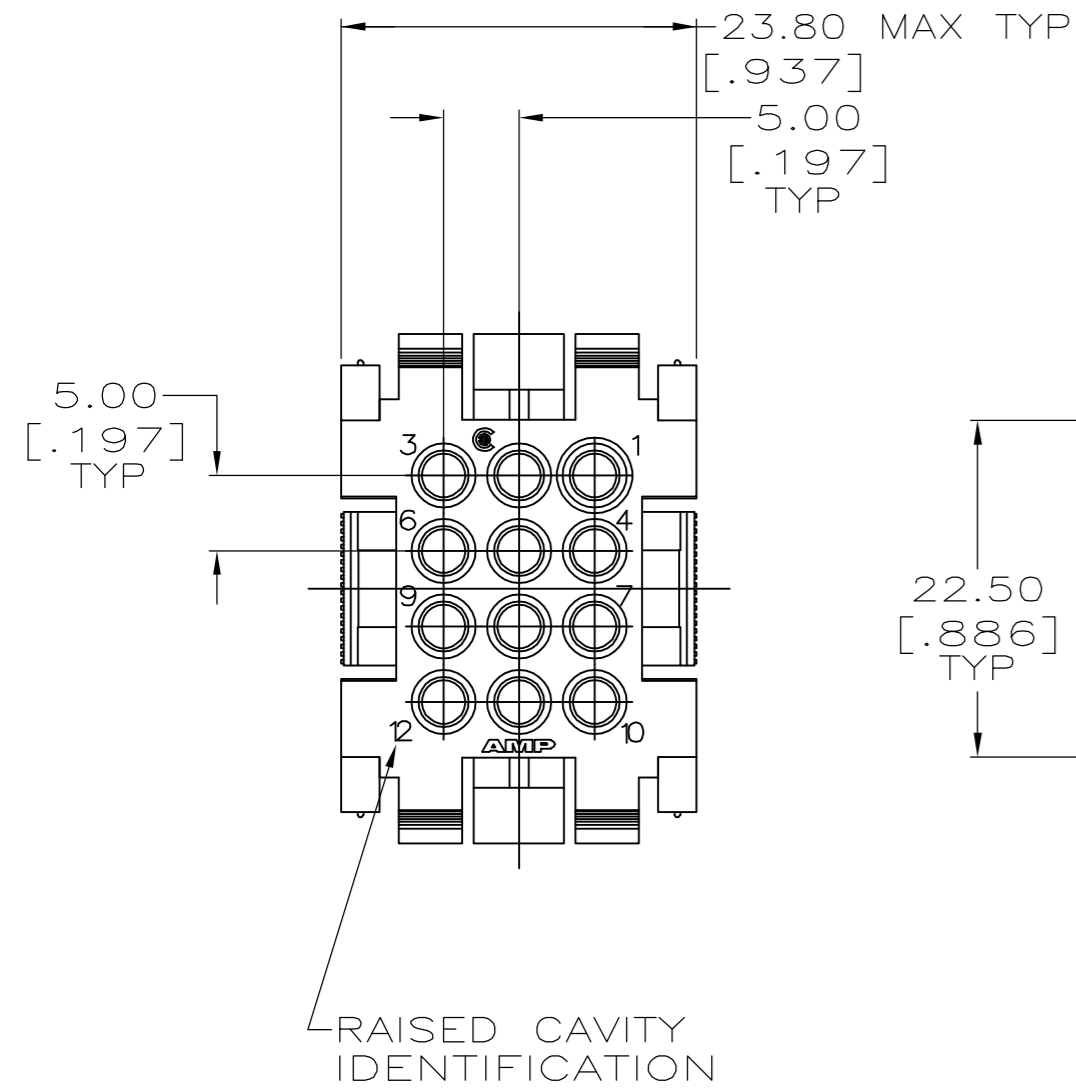


THIS DRAWING IS UNPUBLISHED. RELEASED FOR PUBLICATION
 © COPYRIGHT BY TYCO ELECTRONICS CORPORATION. ALL RIGHTS RESERVED.

| LOC | DIST | REVISIONS | | | | | |
|-----|------|-----------|-----|---------------------------|--------|-----|------|
| | | P | LTR | DESCRIPTION | DATE | DWN | APVD |
| FT | 13 | | T1 | REVISED PER ECO-07-007539 | 4/2/07 | SS | GS |



| | | |
|-------------|---|----------|
| 3 | 2 | 207017-2 |
| | | 207017-1 |
| PART NUMBER | | |

- PANEL RETENTION MECHANISM ACCOMMODATES PANEL THICKNESSES FROM 0.76[.030] TO 2.29[.090].
- SAME AS 207017-1 EXCEPT: ROUNDED EDGES ON THE OUTSIDE OF THE HOUSING AND A 45° ANGLE ON THE OUTSIDE OF THE HOUSING BY THE LOCKING LATCHES, REF 927676.
- OBSOLETE PART NUMBER.

| | | | | | | | | | | | | | | | | | | | | | | |
|--|---|-----------------------------|---|------------------------|-------|---|---|-------|---|-------------|-------|---|---|-------|---|---|--------|---|---|-----------------------|------------|--------------------|
| THIS DRAWING IS A CONTROLLED DOCUMENT. | | DWN W.LENKER 08/26/92 | Tyco Electronics Corporation Harrisburg, PA 17105-3608 | | | | | | | | | | | | | | | | | | | |
| DIMENSIONS: mm [INCHES] | | CHK R.STONE 8-31-92 | NAME HOUSING, PLUG, 12 POSITION, METRIMATE | | | | | | | | | | | | | | | | | | | |
| TOLERANCES UNLESS OTHERWISE SPECIFIED: | | APVD - | PRODUCT SPEC 108-10033 | | | | | | | | | | | | | | | | | | | |
| <table border="0"> <tr><td>0 PLC</td><td>±</td><td>-</td></tr> <tr><td>1 PLC</td><td>±</td><td>-</td></tr> <tr><td>2 PLC</td><td>±</td><td>0.25 [.010]</td></tr> <tr><td>3 PLC</td><td>±</td><td>-</td></tr> <tr><td>4 PLC</td><td>±</td><td>-</td></tr> <tr><td>ANGLES</td><td>±</td><td>-</td></tr> </table> | | 0 PLC | ± | - | 1 PLC | ± | - | 2 PLC | ± | 0.25 [.010] | 3 PLC | ± | - | 4 PLC | ± | - | ANGLES | ± | - | APPLICATION SPEC - | SIZE A2 | CAGE CODE 00779 |
| 0 PLC | ± | - | | | | | | | | | | | | | | | | | | | | |
| 1 PLC | ± | - | | | | | | | | | | | | | | | | | | | | |
| 2 PLC | ± | 0.25 [.010] | | | | | | | | | | | | | | | | | | | | |
| 3 PLC | ± | - | | | | | | | | | | | | | | | | | | | | |
| 4 PLC | ± | - | | | | | | | | | | | | | | | | | | | | |
| ANGLES | ± | - | | | | | | | | | | | | | | | | | | | | |
| MATERIAL NYLON, COLOR: RED | | FINISH - | WEIGHT - | DRAWING NO C=207017 | | | | | | | | | | | | | | | | | | |
| CUSTOMER DRAWING | | | RESTRICTED TO - | SCALE 2:1 | | | | | | | | | | | | | | | | | | |
| | | | SHEET 1 of 1 | REV T1 | | | | | | | | | | | | | | | | | | |