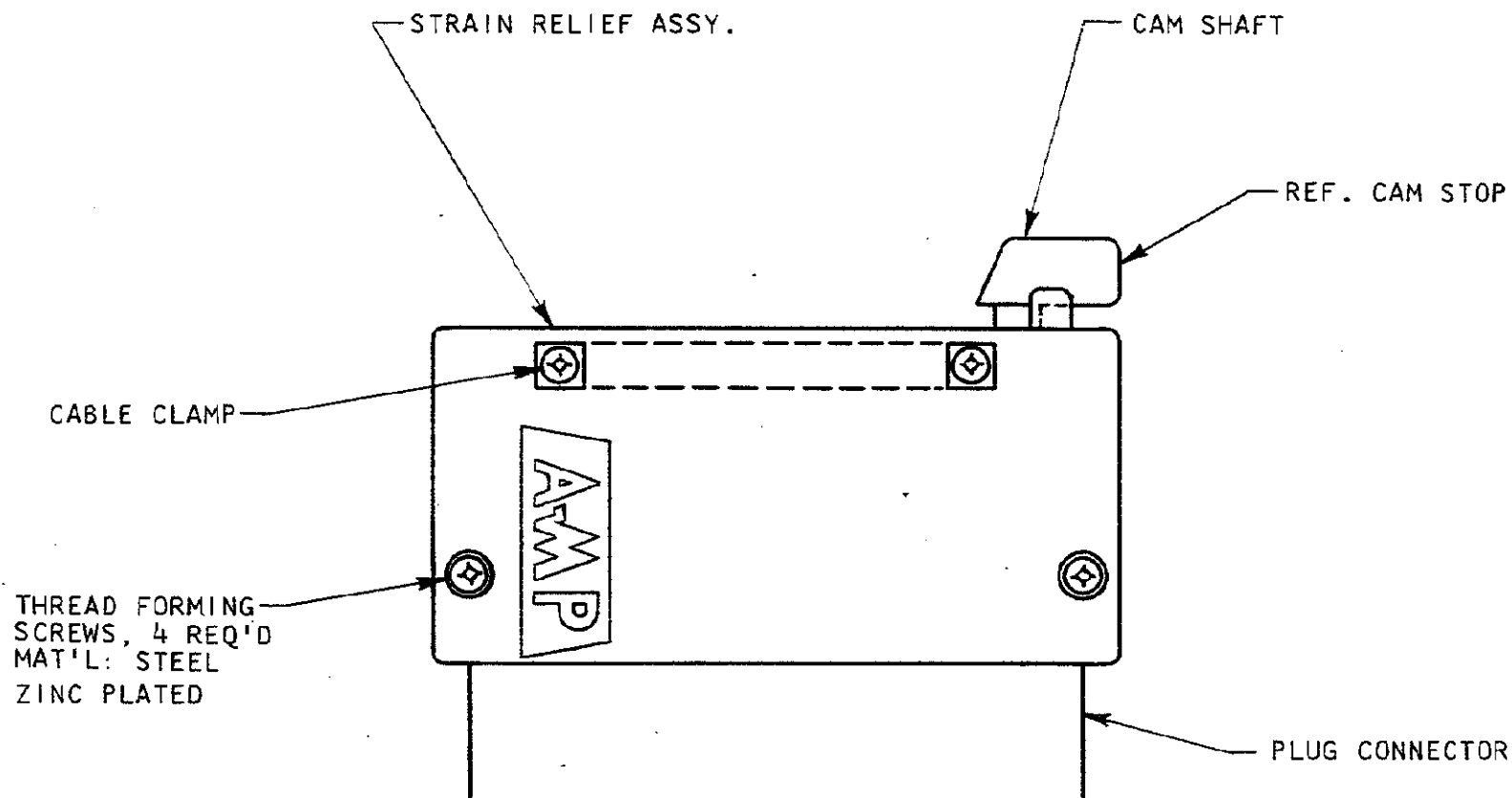


© COPYRIGHT 1977 BY AMP INCORPORATED, HARRISBURG, PA.  
 ALL INTERNATIONAL RIGHTS RESERVED. AMP INCORPORATED PRODUCTS  
 COVERED BY U. S. AND FOREIGN PATENTS AND/OR PATENTS PENDING.

207205-2 1. AS SHOWN

REVISIONS						
P	F	ZONE	LTR	DESCRIPTION	DATE	APPROVED
			0	RELEASED	3-1-77	[Signature]
			A	"AMP" TRADEMARK ADDED E-905	3/9/77	[Signature]

UNPUBLISHED COPY NOT TO BE  
 REPRODUCED NOR PUBLISHED  
 WITHOUT WRITTEN PERMISSION  
 OF AMP INCORPORATED.



1. PARTS PACKAGED UNASSEMBLED.
2. PLASTIC PARTS MAT'L: GLASS REINFORCED THERMO-PLASTIC, COLOR; BLACK
3. PARTS PACKAGED IN PLASTIC BAG WITH "AMP", DATE CODE, PART NO. AND CUSTOMER PART NO. 12-11591-40 INK STAMPED ON OUTSIDE.
4. PACKAGE ALSO INCLUDES SIX NO. 2 THEAD FORMING SCREWS AND TWO KEYING PLUGS.

UNLESS OTHERWISE SPECIFIED DIMENSIONS ARE IN INCHES. TOLERANCES ON: DECIMALS ± ANGLES ±		CONTRACT NO		PART NO	
MATERIAL		DR John Shuey 3-1-77		AMP INCORPORATED Harrisburg, Pa.	
FINISH		CHK [Signature] 3/3/77			
APPD Paul Schaefer 3-3-77		APPD [Signature] 3-9-77		NAME	
OTHER APPD		DSGN APPD		PLUG KIT, STRAIN RELIEF, 120 POS (FLAT CABLE), CR SERIES	
		OTHER APPD		SIZE	CODE IDENT NO
				B	00779
				SCALE	DRAWING NO
					207205
				SHEET 1 OF 2	