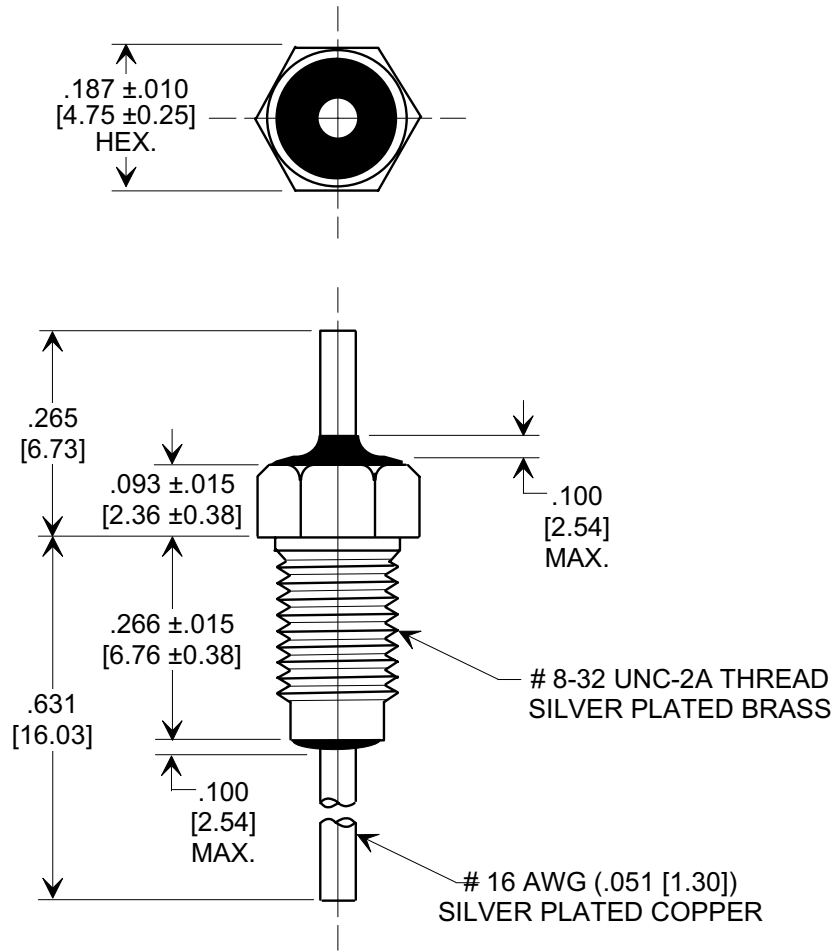
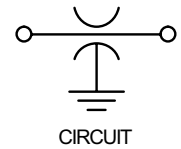
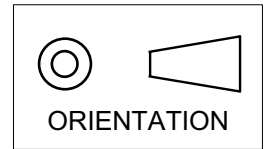


Electrical Testing
per Tusonix standard
test plans and Mil-Std-202
Test Methods.

MARKETING SALES DRAWING
DIMENSIONS IN INCHES - DO NOT SCALE THIS DRAWING
DIMENSIONS IN METRIC - []



SPECIFICATIONS	
STYLE NO.:	2425-544
VALUE:	1000 pF
VALUE TOL.:	- 0%, +100%
TEMP. COEF.:	X5U
RATING:	200 VDC @ + 85°C
OPERATING RANGE:	-55°C TO +125°C
CURRENT (A)	20
INSULATION RESISTANCE:	10,000 MEGOHMS (MIN) @ 25 °C
DWV	600 VDC

NOTES:
1. SUPPLIED WITH SILVER PLATED
HEX NUT AND LOCK WASHER.

REVISION RECORD Original Release C.O. 20020730-3-01	0	--TOLERANCES-- Unless Otherwise Specified	Title MINIATURE BUSHING FEED-THRU		
			DECIMAL ± .031 [0.79]	Drawn L.E. 07-29-02	Scale 4 X
		ANGLES ±	Approved T.C. 07-29-02		
	TUSONIX TUCSON, ARIZONA		A	2425-544-X5U0-102P	