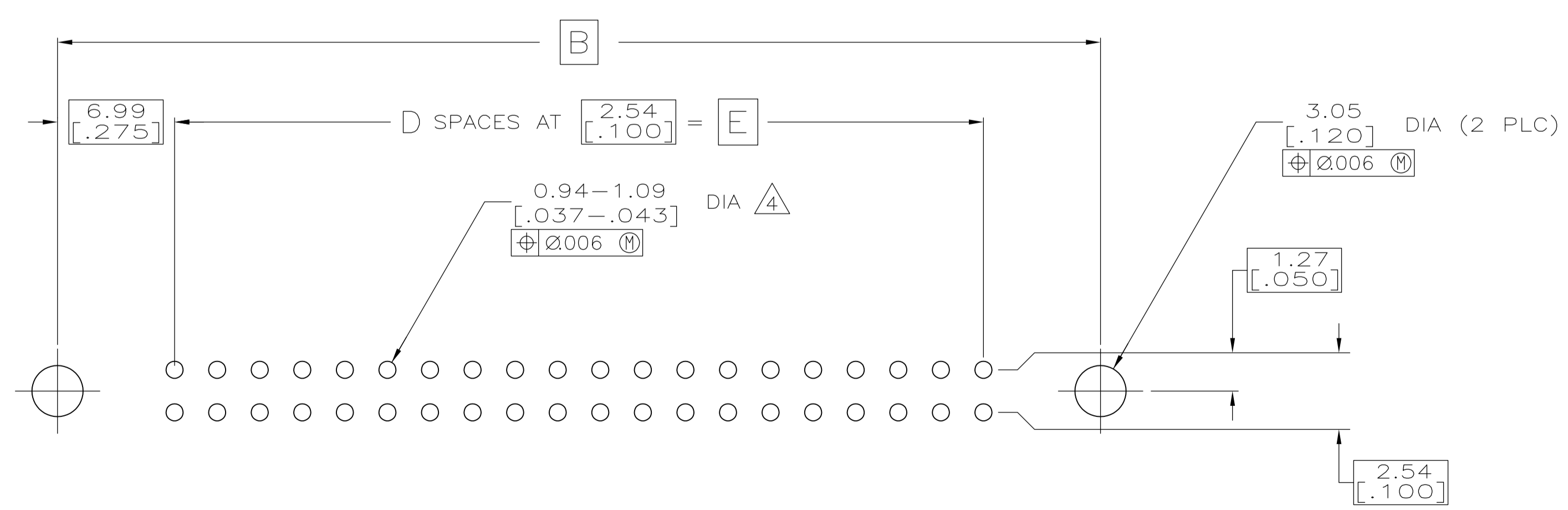
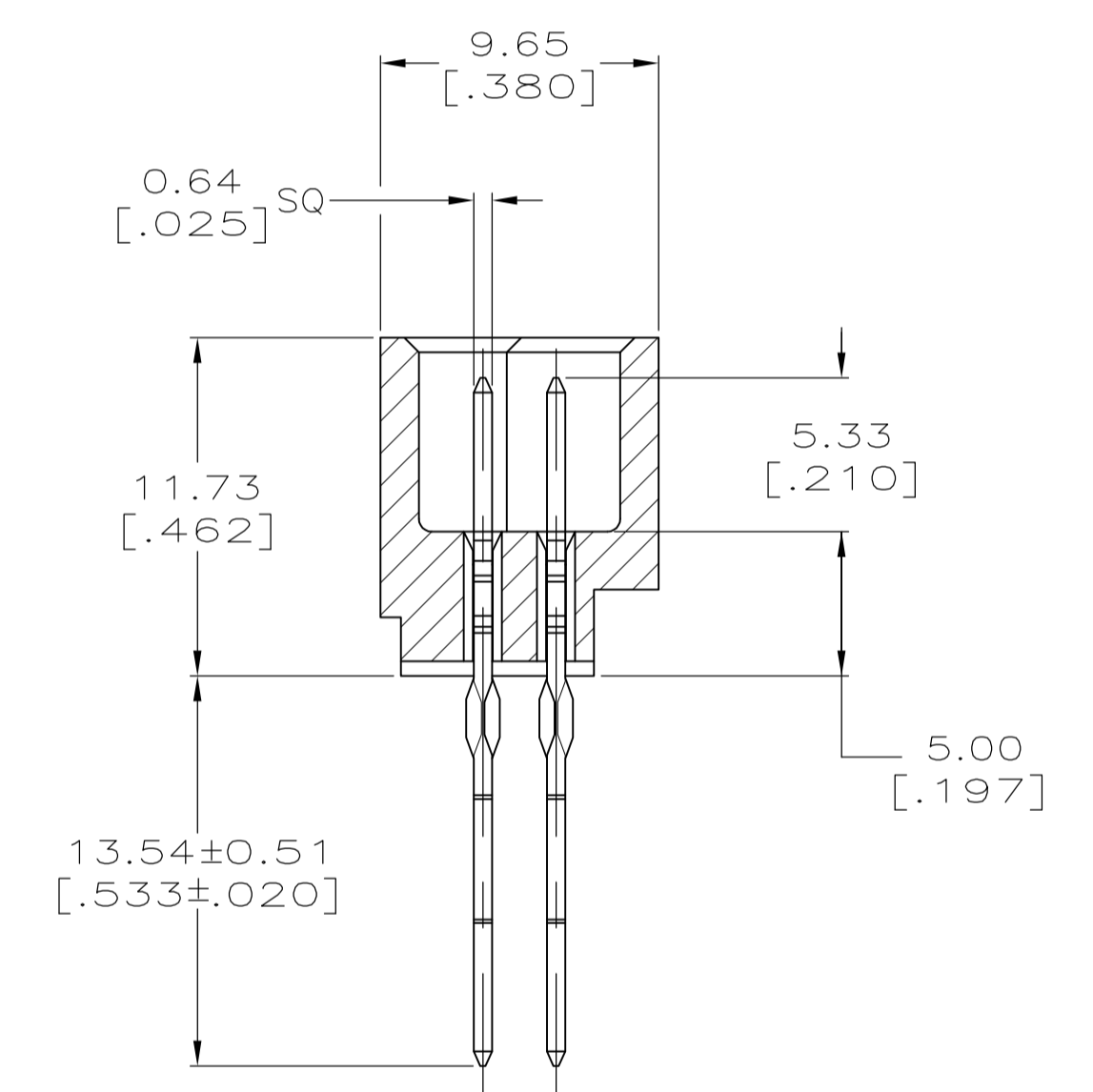
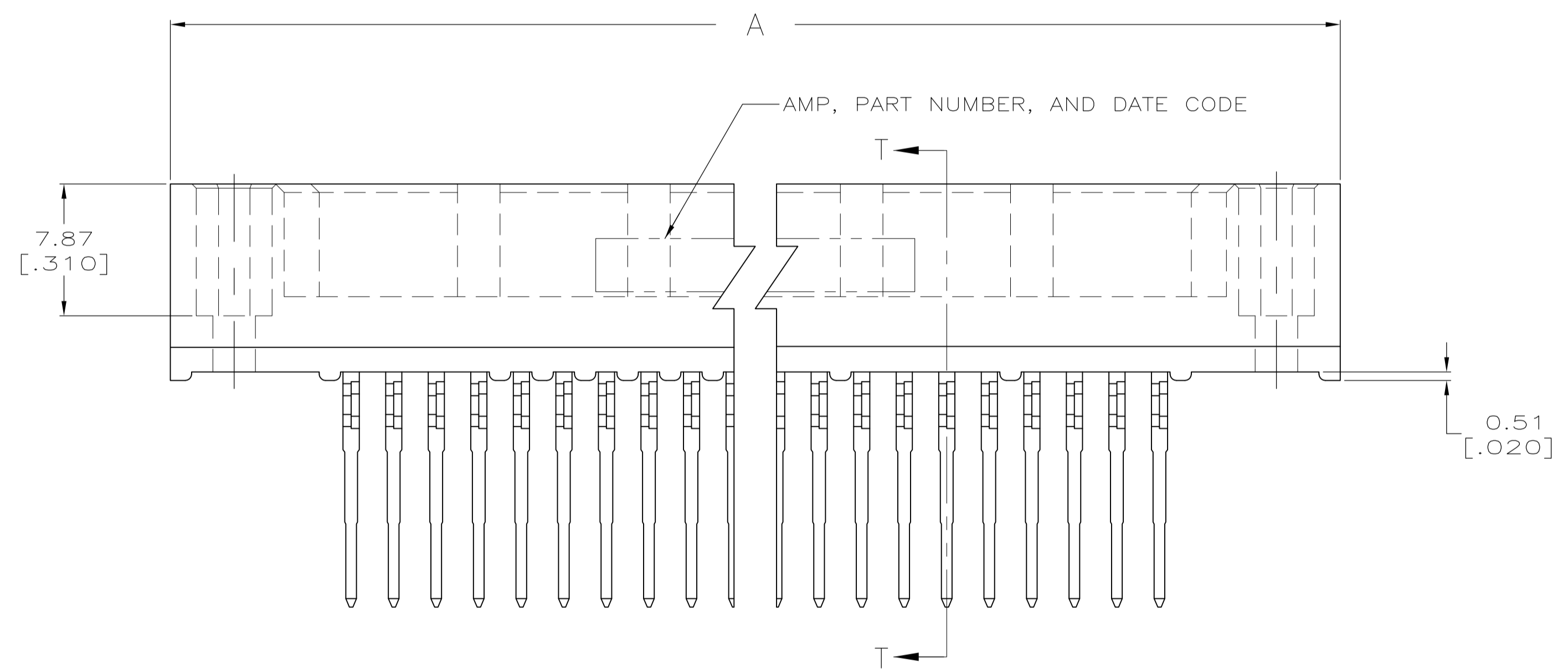
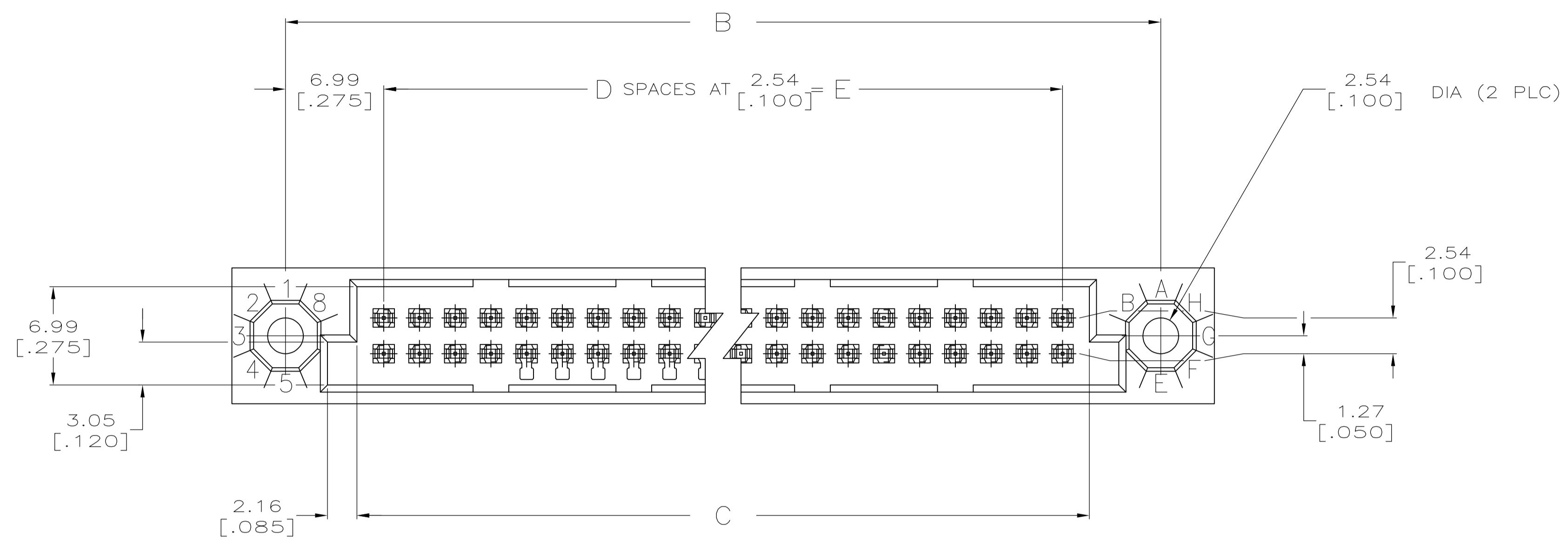


LOC		DIST		REVISIONS			
P	LTR	DESCRIPTION	DATE	DMN	APVD		
P		REVISED PER EC 0512-0287-05	10DEC05	JDP	AMS		
P1		REVISED PER ECO-09-021826	09JAN10	KK	AEG		



THIS DRAWING IS A CONTROLLED DOCUMENT.		DIN R.K. SEIFRIED 04/08/90	Tyco Electronics Corporation Harrisburg, PA 17105-3608	
DIMENSIONS: mm [INCHES]		CHK F. KIBLER	NAME	
TOLERANCES UNLESS OTHERWISE SPECIFIED:		APVD	PRODUCT SPEC	
0 PLC ± -	1 PLC ± -	APPLICATION SPEC		
2 PLC ± -	3 PLC ± 0.13 [.005]	SIZE		
4 PLC ± -	ANGLES ± -	CAGE CODE DRAWING NO		
MATERIAL	FINISH	WEIGHT		
CUSTOMER DRAWING		SCALE 4:1 SHEET 1 OF 2 REV P1		

- 1 HOUSING MATERIAL: THERMOPLASTIC, COLOR-NATURAL.
- 2 CONTACT MATERIAL: PHOSPHOR BRONZE.
- 3 CONTACT FINISH: .00127-.00254 [.000050-.000100] NICKEL UNDERPLATE ALL OVER; .00076 [.000030] GOLD PLATE IN CONTACT AREA AND FOR 5.08 [.200] FROM TIP OF WIRE-WRAP POST; GOLD FLASH ON REMAINDER.
- 4 ACTION PIN POSTS REQUIRE 2.36 [.093] MIN THICK P.C. BOARD. RECOMMENDED P.C. BOARD HOLES ARE 1.151 [.0453] DIA PLATED THRU WITH 0.025-0.076 [.001-.003] COPPER, WITH 0.0076 [.0003] MIN TIN-LEAD PLATING; FINISHED HOLE AFTER PLATING 0.94-1.09 [.037-.043] DIA.
- 5. DIMENSIONS IN BRACKETS ARE IN INCHES.
- 6 PART NUMBER IS OBSOLETE.
- 7 OBSOLETE PARTS: OBSOLETE CIS STREAMLINING PER D.RENAUD/D.SINISI

6							1-533091-9
6							1-533091-8
6							1-533091-7
6							1-533091-6
6	200.66 [7.900]	79	204.47 [8.050]	214.63 [8.450]	222.25 [8.750]	160	1-533091-5
6							1-533091-4
6							1-533091-3
6							1-533091-2
6	149.86 [5.900]	59	153.67 [6.050]	163.83 [6.450]	171.45 [6.750]	120	1-533091-1
6	137.16 [5.400]	54	140.97 [5.550]	151.13 [5.950]	158.75 [6.250]	110	1-533091-0
6	124.46 [4.900]	49	128.27 [5.050]	138.43 [5.450]	146.05 [5.750]	100	533091-9
6							533091-8
6	99.06 [3.900]	39	102.87 [4.050]	113.03 [4.450]	120.65 [4.750]	80	533091-7
6							533091-6
7	73.66 [2.900]	29	77.47 [3.050]	87.63 [3.450]	95.25 [3.750]	60	533091-5
6							533091-4
6							533091-3
6							533091-2
6							533091-1
	E	D	C	B	A	POSN	PART NUMBER

7 OBSOLETE

THIS DRAWING IS A CONTROLLED DOCUMENT.		DIN R. K. SEIFRIED 8-18-92	04/08/90	Tyco Electronics Corporation Harrisburg, PA 17105-3608	
DIMENSIONS: mm [INCHES]		CHK F. KIBLER	APVD	NAME	
TOLERANCES UNLESS OTHERWISE SPECIFIED:		PRODUCT SPEC		HDI, 2 ROW, PIN ASSEMBLY, 13.54 [.533] LONG ACTION PINS, ALL GOLD PLATED POSTS	
0 PLC ± -		APPLICATION SPEC		SIZE	
1 PLC ± -		WEIGHT		CAGE CODE	
2 PLC ± -		CUSTOMER DRAWING		DRAWING NO	
3 PLC ± 0.13 [.005]		SCALE 4:1		SHEET 2 OF 2	
4 PLC ± -		REV		REV	
ANGLES ± -		A1		00779	
MATERIAL		FINISH		533091	