

# FPM-5151G

## 15" XGA Industrial Monitor with Resistive Touchscreen, Direct-VGA, and DVI Ports

NEW



### Features

- 15" XGA TFT LCD with resolution up to 1024 x 768
- Direct VGA & DVI-D video input interface
- Lockable OSD keys with 2 user-defined contrast/brightness settings
- Flat-sealed front panel
- Robust design with anti-rust chassis and aluminum die-cast front panel
- Front accessible USB connector
- Combo RS-232 & USB interface for touchscreen (optional)
- Supports industrial 10-30 V<sub>DC</sub> power input
- Supports panel, wall, desktop, rack or VESA arm mounting
- Front panel is NEMA4/IP65 compliant

### Introduction

FPM-5151G is a 15" color TFT LCD flat panel monitor specifically designed for industrial applications. With a viewing size as large as 15", it presents an ample display area as well as vivid and sharp images for an HMI. It features Direct-VGA & DVI-D signal transmissions, which allows any VGA control card to be used in your system. The onscreen display allows users to adjust the images on the screen with two user-defined settings. The front access USB connector provides easy access the controller, and the industrial 10-30Vdc wide range power support makes this product an excellent option for Factory and Machine Automation display solutions.

### Specifications

#### General

- **Button Controls** OSD control pad on rear side with lockable function
- **Certification** BSMI, CCC, CE, FCC, UL
- **Dimension (W x H x D)** 449.92 x 315.63 x 52.5 mm (17.7" x 12.4" x 2")
- **Enclosure** Front panel: Aluminum and flat-sealed  
Rear cover: Anti-rust coating
- **Mounting** Panel, wall, VESA arm, or 19" stand, rackmount with optional mounting kit
- **Power Input** Phoenix Jack - 10 ~ 30 V<sub>DC</sub> input  
Optional - External 57 W power adapter, with AC 100 V ~ 240 V input and DC +12 V @ 4.7A output
- **USB** Front USB access for extension
- **Video** VGA & DVI-D port
- **Weight (Net)** 6 kg (13.22 lbs)

#### LCD Display

- **Display Type** XGA TFT LCD
- **Display Size** 15"
- **Max. Resolution** 1024 x 768
- **Max. Color** 16.2 M
- **Viewing Angle (H/V°)** 140/120
- **Luminance (cd/m<sup>2</sup>)** 250
- **Backlight Life (hrs)** 50,000
- **Contrast Ratio** 500 : 1

#### Touchscreen (Optional)

- **Sensor** AMT
- **Driver** Penmount 6000
- **Type** 8-wire Resistive
- **Interface** RS-232 & USB
- **Lifespan** 10 million with a silicone rubber of R8 finger, writing rate is by 250g at 2 times/s
- **Light Transmission** > 80%
- **OS Support** Windows® 2000/XP/CE/Vista, Linux
- **Power Consumption** +5 V @ 100 mA
- **Touch Resolution** Linearity

#### Environment

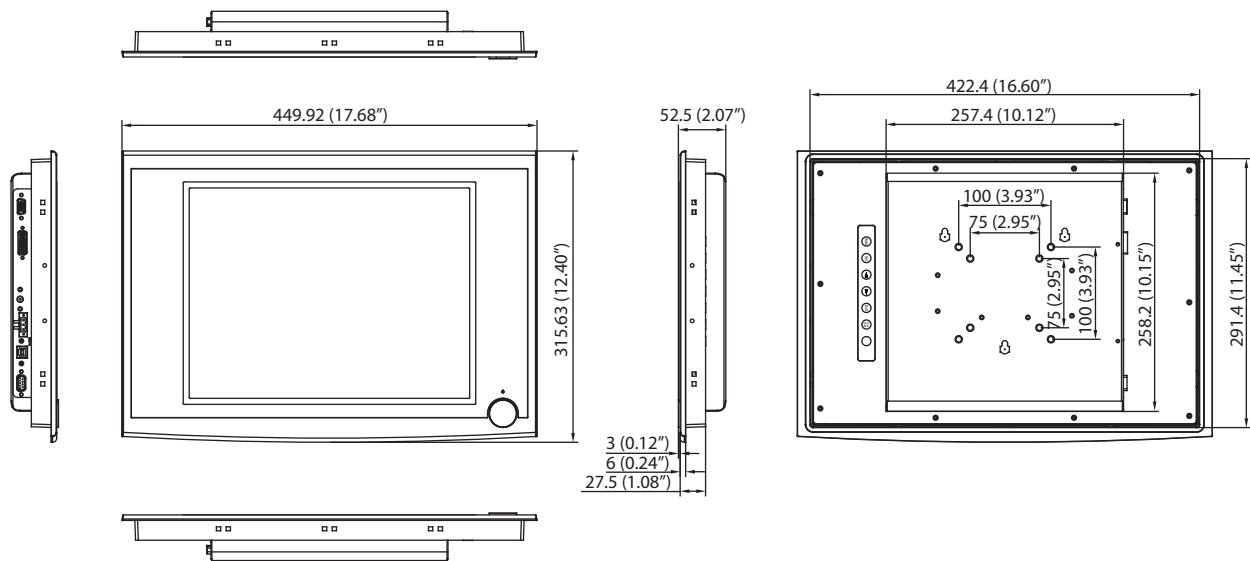
- **Operation Temperature** 0 ~ 50° C (32 ~ 122° F)
- **Storage Temperature** -20 ~ 60° C (-4 ~ 140° F)
- **Humidity (Storage)** 10 ~ 95% non-condensing
- **Waterproof** Front panel NEMA4/IP65 compliant
- **Vibration** 5 ~ 500 Hz, 1 Grms (Operating, Random)

### Ordering Information

- **FPM-5151G-X0AE** 15" XGA Ind. Monitor
- **FPM-5151G-R3AE** 15" XGA Ind Monitor w/Resistive TS (RS-232 & USB)

## Dimensions

Unit: mm

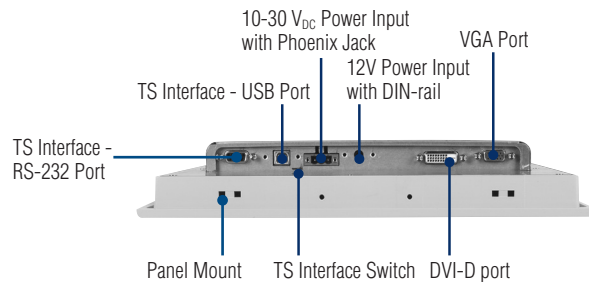


Panel Cut-out Dimensions: 424 x 293 mm

## Accessories

- **IPPC-6152A-RMKE** IPPC-6152A/FPM-5151G Rack Mount Kit
- **FPM-5151G-SMKE** FPM-5151G/5171G Stand Kit
- **1702002600** Power Cable US Plug 1.8 M
- **1702002605** Power Cable EU Plug 1.8 M
- **1702031801** Power Cable UK Plug 1.8 M
- **1702031836** Power Cable China/Australia Plug 1.8 M
- **1757002742** Adapter AC 90-264V 57W SPU63-105

## I/O View



## Front Accessible USB Port



## Back View

