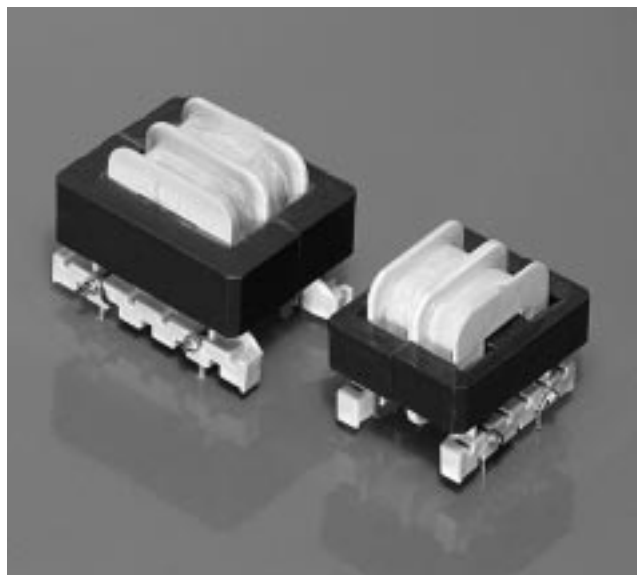


Common Mode Line Chokes High Inductance Series

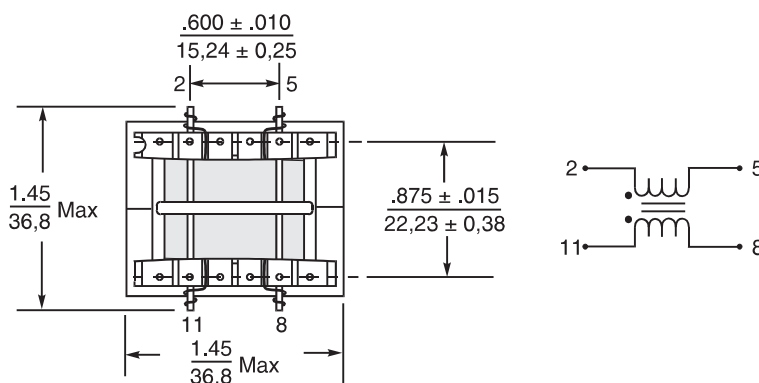
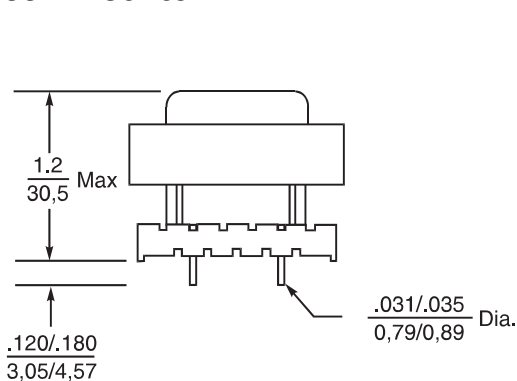


These common mode line chokes provide the best available combination of low cost and high inductance. Coilcraft EE style common mode line chokes are available in two series, each with a variety of current ratings, sizes and inductance values. The Coilcraft bobbin design provides a creepage and clearance spacer that makes these parts compatible with UL, VDE, and IEC specifications.

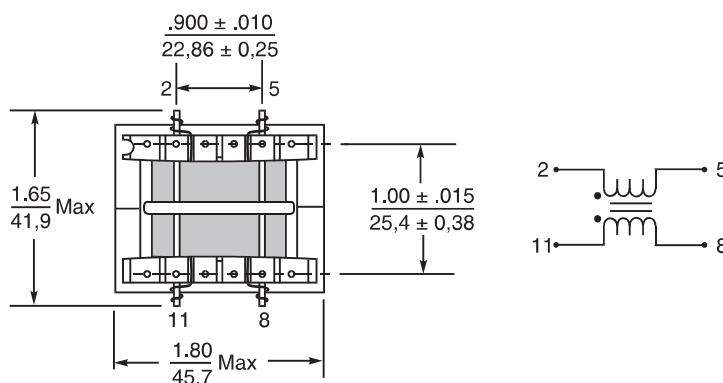
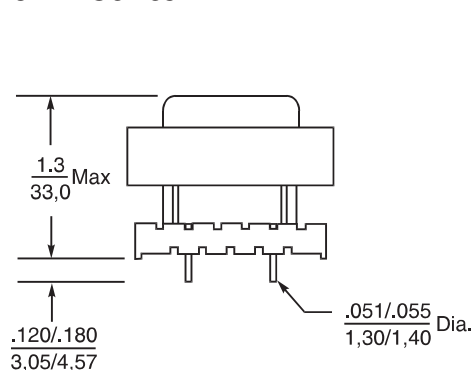
Coilcraft **Designer's Kit No. P202** contains samples of 8 standard EE and toroidal common mode line chokes. To order, please contact Coilcraft.

- VDE, IEC, CSA compatible
- Cost effective design
- 3750 Vrms isolation between windings

F55XX Series



H70XX Series



Coilcraft

Specifications subject to change without notice. Document 142-1 Revised 7/9/97

Common Mode Line Chokes—High Inductance Series

F55XX Series

Part Number	Inductance ¹ (mH)	Current (Amps)	SRF ² (kHz)	DCR ³ (Ohms)
F5585-A	82	1/2	65	3.1
F5586-A	34	3/4	100	1.3
F5587-A	24	1	129	.86
F5588-A	15	1 1/4	170	.54
F5589-A	7.5	1 1/2	206	.30
F5590-A	6.0	2	230	.22
F5591-A	3.3	2 1/2	309	.12
F5592-A	1.6	3	420	.07
F5593-A	1.1	4	560	.04

Parts in bold type are included in Coilcraft Designer's Kit No. P202.

H70XX Series

Part Number	Inductance ¹ (mH)	Current (Amps)	SRF ² (kHz)	DCR ³ (Ohms)
H7010-A	56	1	62	1.1
H7011-A	34	1 1/4	96	.72
H7012-A	23	1 1/2	104	.47
H7013-A	20	2	128	.35
H7014-A	7.3	2 1/2	190	.16
H7015-A	5.3	3	220	.12
H7016-A	4.0	4	275	.08
H7017-A	2.0	5	370	.05
H7018-A	.95	6	556	.03
H7019-A	.75	8	640	.02

- Notes:**
1. Inductance is minimum per winding, tested at .1 Vrms, 20 kHz.
 2. SRF is minimum for each winding.
 3. DCR is maximum per winding.
 4. Operating temperature range -40° C to +85° C.
 5. Electrical specifications at 25° C.



Specifications subject to change without notice. Document 142-2 Revised 9/14/00

1102 Silver Lake Road Cary, Illinois 60013 Phone 847/639-6400 Fax 847/639-1469
E-mail info@coilcraft.com Web <http://www.coilcraft.com>