

Pneumatic Counter

- Specially designed for 'intrinsically safe' operation
- Panel mounted
- Very neat and compact
- Records air impulses up to 999999
- Manual push button on front face to reset to zero


Technical Data

Medium:

Compressed air, filtered, dry or lubricated

Operation:

Pneumatically actuated counter

Port Size:

M5

Operating Pressure:

1,2 - 10 bar

Operating Temperature:

-10°C* to +45°C

*Consult our Technical Service for use below +2°C

Response Times:

50Hz at 1,4 bar

25Hz at 2,5 bar

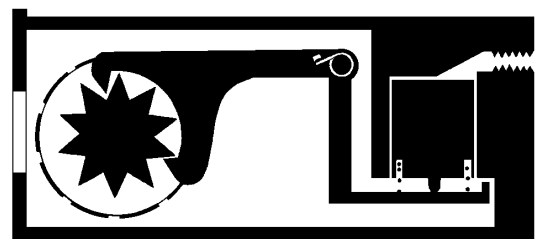
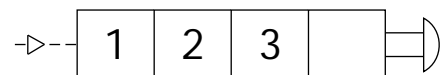
10Hz at 6,0 bar

Materials

Polycarbonate body

Ordering Information

To order a Pneumatic Counter quote M/616.





General Information

| Model | Number of impulses | Weight (kg) | Spares kit |
|-------|--------------------|-------------|---------------|
| M/616 | 999999 | 0,09 | Not available |

Warning

These products are intended for use in industrial compressed air systems only. Do not use these products where *pressures* and *temperatures* can exceed those listed under '**Technical Data**'.

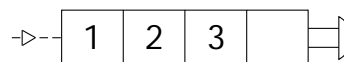
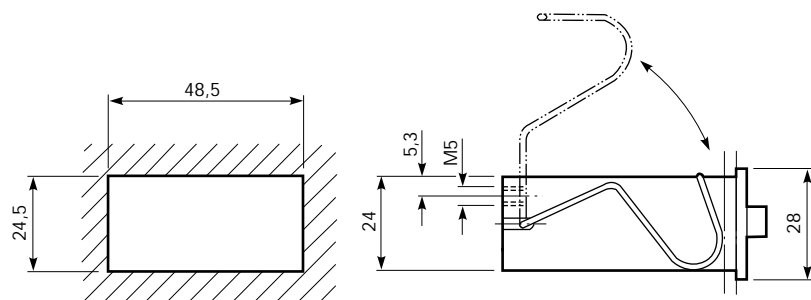
Before using these products with fluids other than those specified, for non-industrial applications, life-support systems, or other applications not within published specifications, consult NORGREN MARTONAIR.

Through misuse, age, or malfunction, components used in fluid power systems can fail in various modes. The system designer is warned to consider the failure modes of all component parts used in fluid power systems and to provide adequate safeguards to prevent personal injury or damage to equipment in the event of such failure.

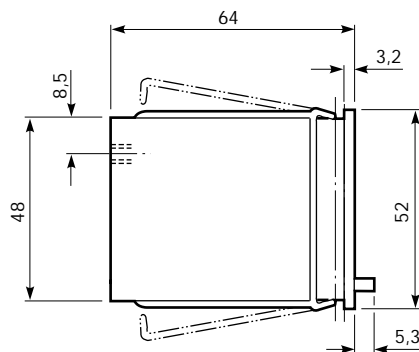
System designers must provide a warning to end users in the system instructional manual if protection against a failure mode cannot be adequately provided.

System designers and end users are cautioned to review specific warnings found in instruction sheets packed and shipped with these products.

Pneumatic Counter



Model Number: **M/616**



Cut-out for panel mounting

To enable the counter to be assembled into the panel first remove the locking clip and insert counter through the hole in the panel.

Assembly by fitting the locating lugs into the holes on the side of the body and then pushing the clip downwards to lock the counter to the panel.