

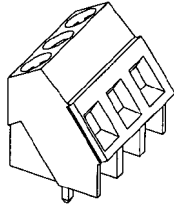


**Board Mount, 35° Angled Wire Entry**

**Board Mount**  
2.5 mm<sup>2</sup> Solid Wire w/Interlock,  
5.0 mm Centerline,  
35° Angled Wire Entry

UL Rating – 300 V, 17.5 A  
12-30 AWG

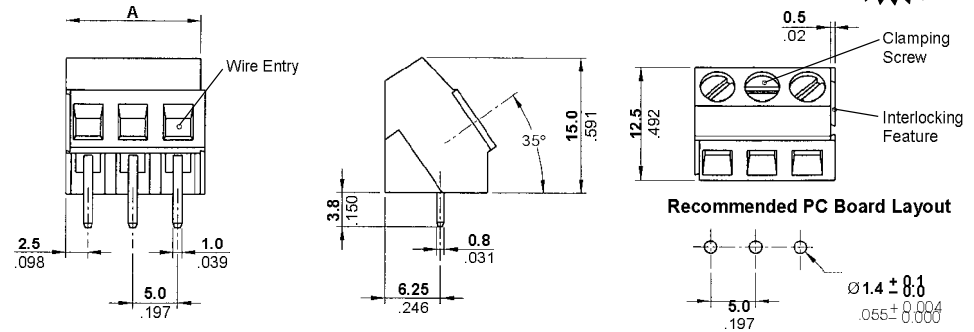
15 A for field wiring applications



**Suggested Screw Torque—**  
4.4 in.-lbs.

**Notes:**

1. BUCHANAN Terminal Block Series B04C4VXXT has been superceded/replaced with part number 796688-xx (blue color) and 796689-xx (black color).
2. RDI Terminal Block Series 5LEA-XX has been superceded/replaced with part number 796690-xx (green color).
3. RDI Terminal Block Series 5LEA-XX-1 has been superceded/replaced with part number 796689-xx (black color).

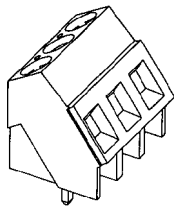


| No. of Positions | Dim. A       | Part Numbers |            |            |            |
|------------------|--------------|--------------|------------|------------|------------|
|                  |              | Gray         | Blue       | Black      | Green      |
| 2                | 10.0 [0.394] | 282846-2     | 796688-2   | 796689-2   | 796690-2   |
| 3                | 15.0 [0.591] | 282846-3     | 796688-3   | 796689-3   | 796690-3   |
| 4                | 20.0 [0.787] | 282846-4     | 796688-4   | 796689-4   | 796690-4   |
| 5                | 25.0 [0.984] | 282846-5     | 796688-5   | 796689-5   | 796690-5   |
| 6                | 30.0 [1.181] | 282846-6     | 796688-6   | 796689-6   | 796690-6   |
| 7                | 35.0 [1.378] | 282846-7     | 796688-7   | 796689-7   | 796690-7   |
| 8                | 40.0 [1.575] | 282846-8     | 796688-8   | 796689-8   | 796690-8   |
| 9                | 45.0 [1.772] | 282846-9     | 796688-9   | 796689-9   | 796690-9   |
| 10               | 50.0 [1.968] | 1-282846-0   | 1-796688-0 | 1-796689-0 | 1-796690-0 |
| 11               | 55.0 [2.165] | 1-282846-1   | 1-796688-1 | 1-796689-1 | 1-796690-1 |
| 12               | 60.0 [2.362] | 1-282846-2   | 1-796688-2 | 1-796689-2 | 1-796690-2 |

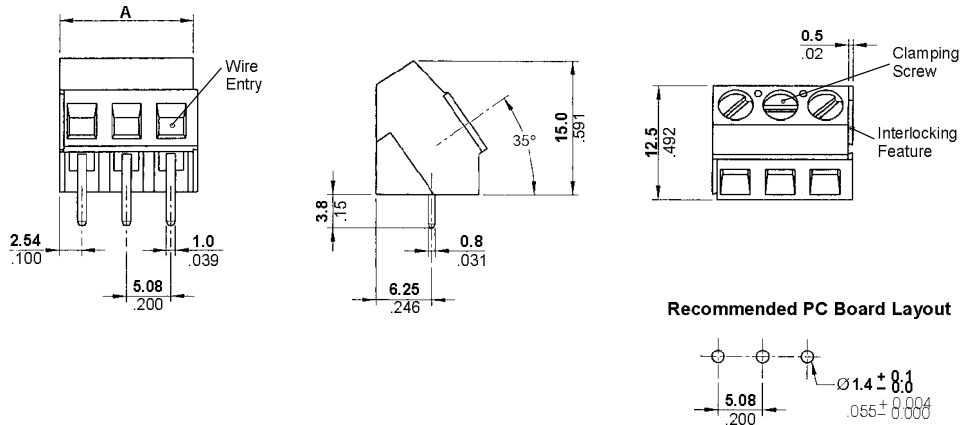
**Board Mount**  
2.5 mm<sup>2</sup> Solid Wire w/Interlock,  
5.08 mm Centerline,  
35° Angled Wire Entry  
Color – Gray

UL Rating – 300 V, 17.5 A  
12-30 AWG

15 A for field wiring applications



**Suggested Screw Torque—**  
4.4 in.-lbs.



| No. of Positions | Dim. A        | Part Numbers |
|------------------|---------------|--------------|
| 2                | 10.16 [0.400] | 282847-2     |
| 3                | 15.24 [0.600] | 282847-3     |
| 4                | 20.32 [0.800] | 282847-4     |
| 5                | 25.40 [1.000] | 282847-5     |
| 6                | 30.48 [1.200] | 282847-6     |
| 7                | 35.56 [1.400] | 282847-7     |
| 8                | 40.64 [1.600] | 282847-8     |
| 9                | 45.72 [1.800] | 282847-9     |
| 10               | 50.80 [2.000] | 1-282847-0   |
| 11               | 55.88 [2.200] | 1-282847-1   |
| 12               | 60.96 [2.400] | 1-282847-2   |

**Note:** RDI Terminal Block Series 2EEA-xx has been superceded/replaced with 282847-xx series.

For complete product information, order Catalog 1308389