

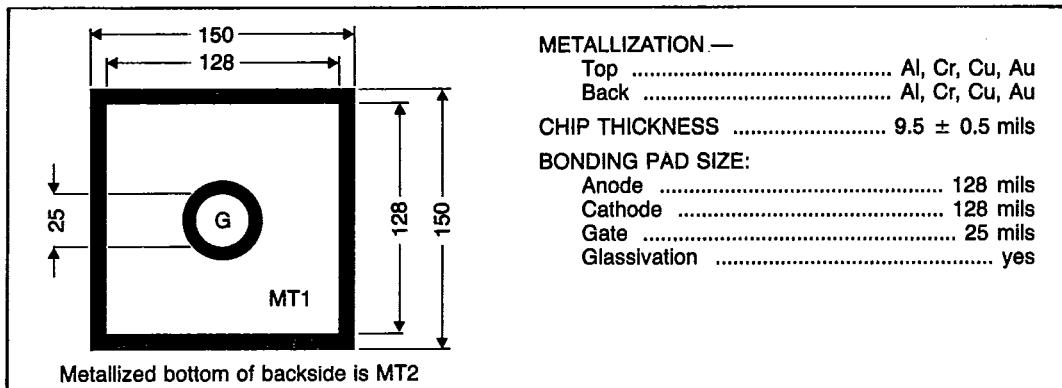


**TRIAC — Bidirectional
 Triode Thyristor**

Device assembled from this die type are similar to or better than the following device types:

2N5567
 2N5568
 2N5569
 2N5570
 2N5571

2N5572
 2N5573
 2N5574
 MAC15,A Series



ELECTRICAL CHARACTERISTICS (T_A = 25°C, See Note 1)

Parameter	Test Conditions	Min	Max	Unit
I _{DRM}	V _D = 400 V _{DRM}	—	50	μAdc
I _{GT}	V _D = 12 Vdc, R _L = 100 Ω			mAdc
	MT2(+), G(+)	—	50	
	MT2(+), G(-)	—	50	
	MT2(-), G(-)	—	50	
	MT2(-), G(+)	—	75	
V _{GT}	V _D = 12 Vdc, R _L = 100 Ω			Volts
	MT2(+), G(+)	—	2.0	
	MT2(+), G(-)	—	2.0	
	MT2(-), G(-)	—	2.0	
	MT2(-), G(+)	—	2.5	
I _H	V _D = 12 Vdc, I _{TH} = 0.2 Adc	—	30	mAdc

NOTES: 1. Because of the limitation of probe testing, dc parameters are tested. These parameters must be measured using pulse techniques pulse width = 300 μA duty cycle ≤ 2%.

Chip characteristics, including curves, are available from current www.DataSheet4U.com Discrete Motorola Data.