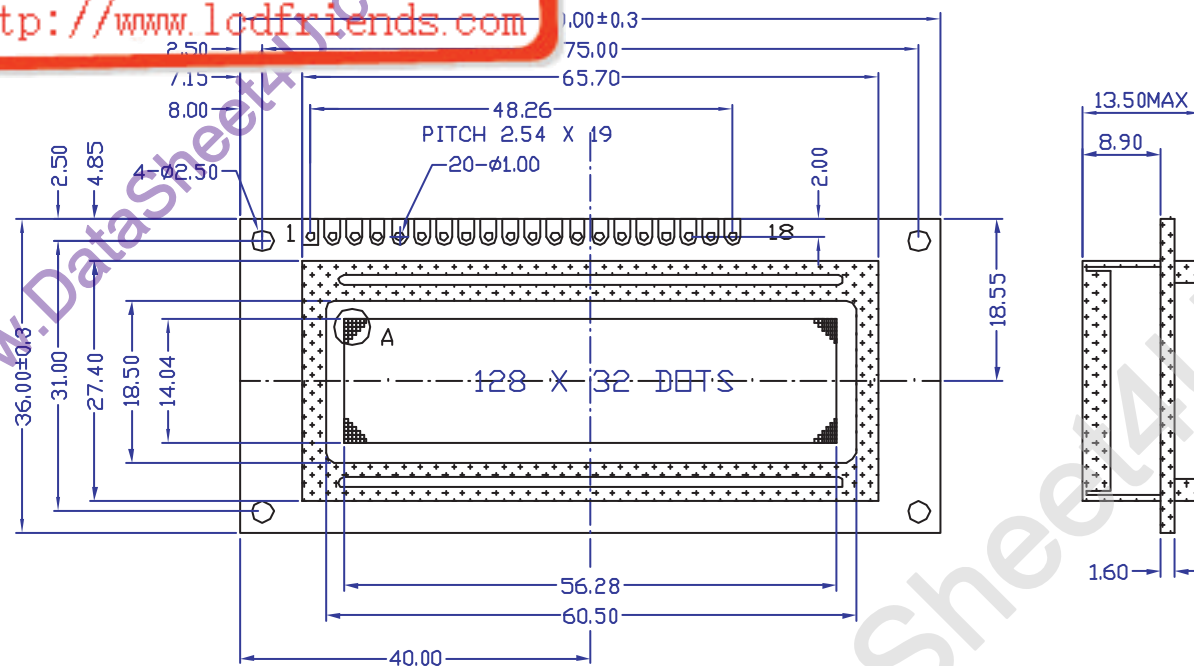


液晶之友 电话: 020-33819057  
 Http://www.lcdfriends.com

REVISIONS			
NO.	DATE	BY	DESCRIPTION
1.	03/06/25	A.CH	NEW RELEASE



PINS ASSIGNMENT		
NO.	SYMBOL	DESCRIPTION
1	V0	CONTRAST ADJUST
2	VR	CONTRAST ADJUST
3	VSS	POWER SUPPLY
4	VDD	POWER SUPPLY
5	NC	NO CONNECTION
6	RS(CS)	DATA/INSTRUCTION SELECT CHIP SELECTION FOR SERIAL MODE
7	R/W(SID)	READ/WRITE CONTROL SERIAL DATA INPUT FOR SERIAL MODE
8	E(SCLK)	ENABLE SIGNAL SERIAL CLOCK INPUT FOR SERIAL MODE
9-16	DB0--DB7	DATA BUS IN PARALLEL INTERFACE NOT USED IN SERIAL MODE,PULL HIGH
17	PSD	PARALLEL/SERIAL SELECT
18	/RST	RESET SIGNAL (LOW EFFECTIVE)
19	K	BACKLIGHT DRIVING -
20	A	BACKLIGHT DRIVING +

ABSOLUTE MAXIMUM RATING				
ITEM	SYMBOL	MIN	MAX	UNIT
POWER SUPPLY(LOGIC)	VDD-VSS	-0.3	7.0	V
POWER SUPPLY(LED DRV.)	VDD-V0	-0.3	13.5	V
INPUT VOLTAGE	VI	-0.3	VDD	V

ELECTRICAL CHARACTERISTICS (VDD=5.0±0.25V, 25°C)						
ITEM	SYMBOL	MIN	TYP	MAX	UNIT	
VOLTAGE FOR LOGIC	VDD-VSS	4.75	5.0	5.25	V	
SUPPLY CURRENT	IDD	-	1.3	2.2	mA	
INPUT VOLTAGE	H	VIH	2.2	-	VDD	V
	L	VL	-0.3	-	0.6	V
OUTPUT VOLTAGE	H	VoH	2.4	-	V	
	L	VoL	-	-	0.4	V

MECHANICAL SPECIFICATIONS		
ITEM	SPECIFICATION	UNIT
OVERALL SIZE	60.0W x 36.0H x 13.5T	MM
VIEWING AREA	60.5W x 18.5H	MM
DOT NUMBER	128W X 32H	
DOT SIZE	0.40W X 0.40H	MM
DOT PITCH	0.44W x 0.44H	MM

OPTIONS
1. LCD TYPE: Y/G STN; GRAY STN;
2. BACKLIGHT: WITHOUT BACKLIGHT, LED, EL
3. COLOR OF BACKLIGHT: Y/G; BLUE; WHITE
4. TEMPERATURE RANGE: NORMAL(0--50°C) EXTENDED(-20--70°C)
5. POWER SUPPLY: 5.0V; 3.0V
6. VIEWING ANGLE: 6H; 12H
7. CHARACTER TABLE: MADARIN(SIMPLE) CHINESE

