

HUSKY ELECTRONIC

Dr. Volker Commichau
Grünepleisstr. 45
D-52159 Roetgen



DESIGN CENTER

Tel.: +49 2471 2995
Mobil 0160 59 73 094
vcommichau@gmx.de

26.07.2003

Kenwood R-2000 Modification for DRM

Receive Mode : FM

RF Gain setting: manual mode, adjusted to 6-8 depending on the station signal

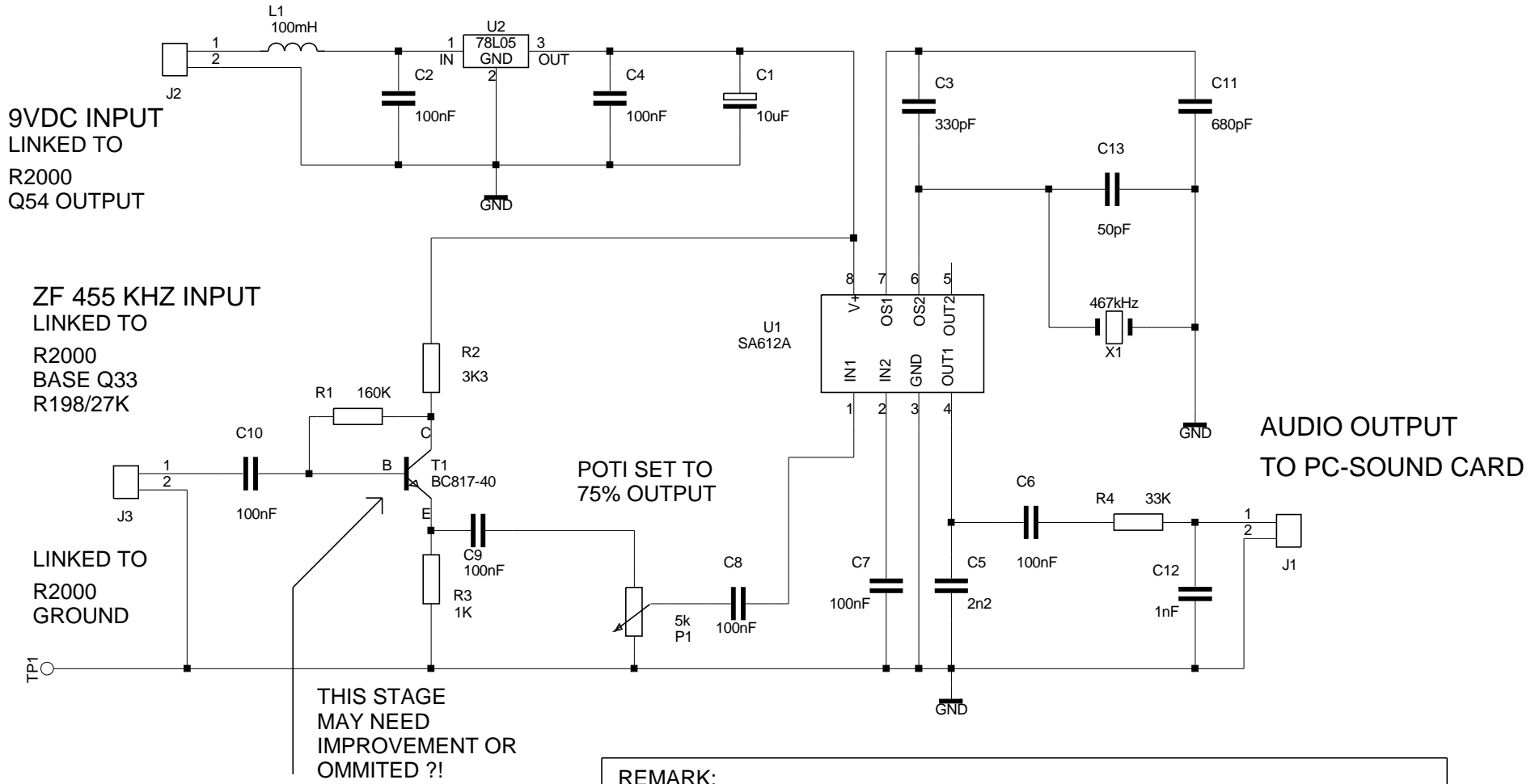
Tested at Roetgen/Germany (near Aachen)

DRM Station received:

Deutsches Welle Sines/Portugal (900km), reception quality: 1-2

Deutsche Welle Jülich/Germany (30km), reception quality: 3

DRM-MIXER FOR KENWOOD R2000 (RECEIVE MODE SET TO FM !)

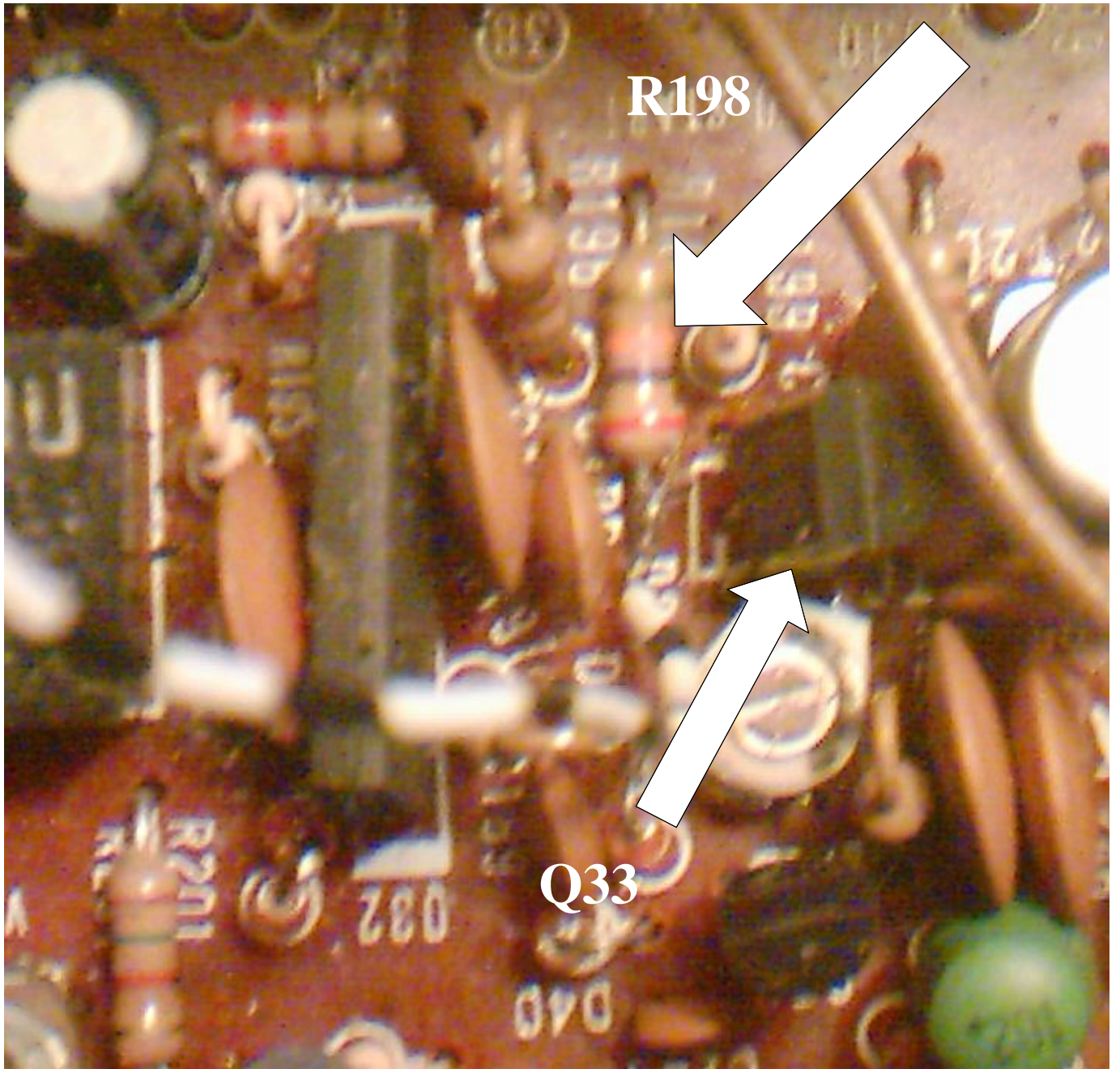


REMARK:

WITH THIS MODIFICATION A VERY GOOD RECEIPT OF DEUTSCHE WELLE SINES/PORTUGAL (900KM) WAS POSSIBLE BUT RECEIPT OF DEUTSCHE WELLE GERMANY/J• LICH WAS BAD, EVEN THE DISTANCE WAS ONLY 30KM!

- BO1
- BO2
- BO3
- BO4

REV: A	DATE: 02.02.2003	ENG: V.COMMICHAU
PROJECT: DRM MIXER		
COMPANY: HUSKY ELECTRONIC DESIGN CENTER		
ADDRESS: GRUENEPLEISTRASSE 45		
CITY: D-52159 ROETGEN		
COUNTRY: GERMANY		
FILE:DRMV01.SCH		
INITIAL	10.12.2002	PAGE: 1 OF: 1



R198

Q33