

CUSTOMER TERMINAL	RoHS	LEAD(Pb)-FREE	6K
Sn96%, Ag4%	Yes	No	

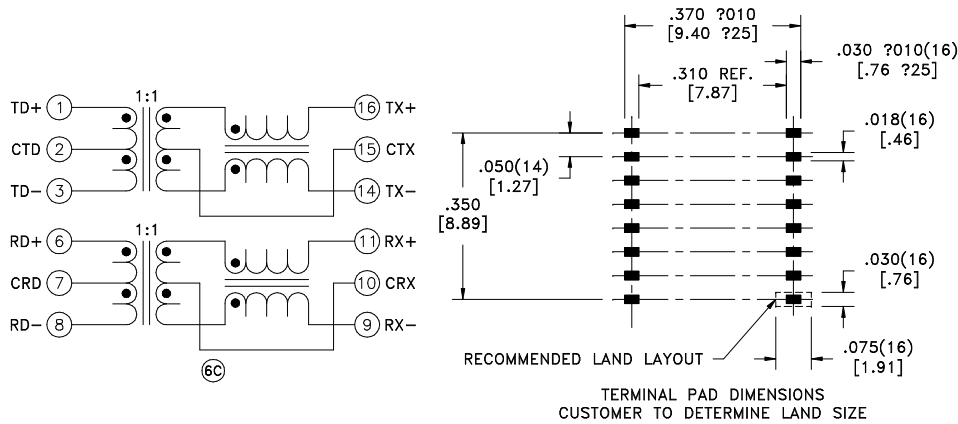
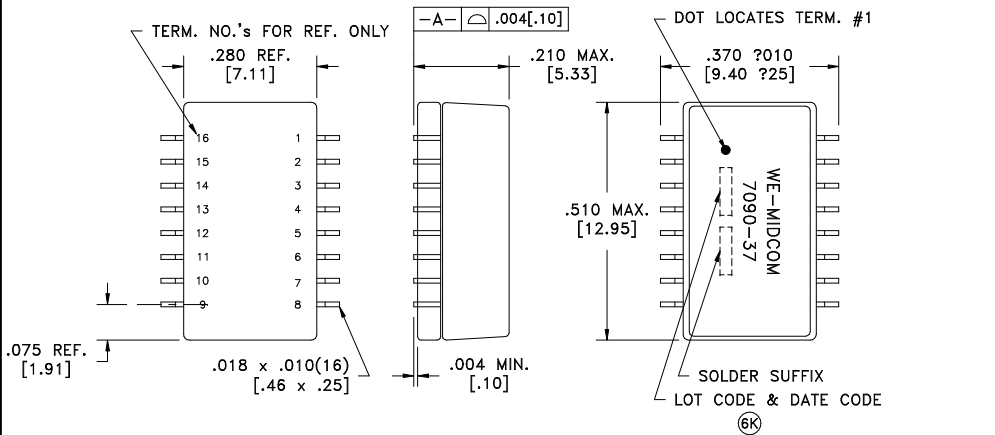


ELECTRICAL SPECIFICATIONS @ 25°C unless otherwise noted:

- 6C INSERTION LOSS: -1.1dB max., 500k - 100MHz.
- 6P6C DIELECTRIC RATING: 1500Vrms, 1 minute tested by applying 1800Vrms for 1 second between 1-16 (tie 1+2+3+6+7+8, 9+10+11+14+15+16).
- 6C INDUCTANCE: 350uH min., 100kHz, 100mV, 8mADC, 16-14; 11-9 Lp.
- RETURN LOSS: -18dB min., 500k - 30MHz.
-16dB min., 30M - 45MHz.
-14dB min., 45M - 60MHz.
-12dB min., 60M - 80MHz.
- URNS RATIO & POLARITY: (1-3):(16-14) = 1:1, ?%.
(6-8):(11-9) = 1:1, ?%.
- CROSSTALK: -35dB min., 1M - 100MHz.
- 6C DCMR: -30dB min., 500k - 100MHz.
- 6P6C CMRR: -60dB typ., 500k - 30MHz.
-30dB min., 30M - 100MHz.

OPERATING TEMPERATURE RANGE: -40°C to +85°C.

COPLANARITY: All 16 terminals must lie on a plane within .004 [.10] of Surface A after lead tinning.



TERMINAL PAD DIMENSIONS
CUSTOMER TO DETERMINE LAND SIZE

6M

REV.	DATE
6P	8/09
6N	8/08
6M	8/07
6L	8/05
6K	4/05

DETAILS SUBJECT TO CHANGE

6F

AGENCY NUMBER	
UL60950	E205930
CSA60950 (Via CUL)	E205930

Packaging Specifications
Method: Tape & Reel
PKG-0339
www.midcom-inc.com

Unless otherwise specified:
Tolerances: Fractions: ±1/64
Angles: ±1° Decimals: ±.005 [.127]
This drawing is dual dimensioned. Dimensions in brackets are in millimeters.

DRAWING TITLE
TRANSFORMER
PDSO-G16
eiSos p/n: 749010013

Midcom
www.midcom-inc.com

REVISIONS: SEE SHEET 1

DRAWING NO.
000-7090-37R-LF1 6K
SCALE --- SHEET 2 OF 8