



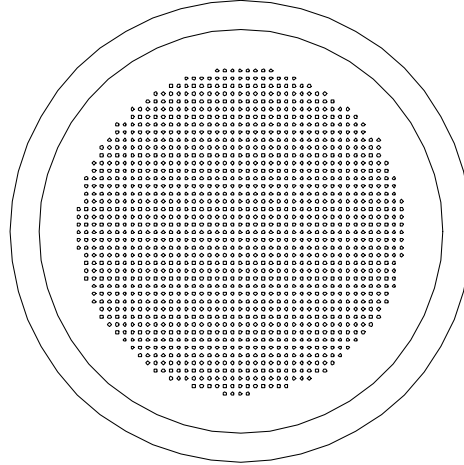
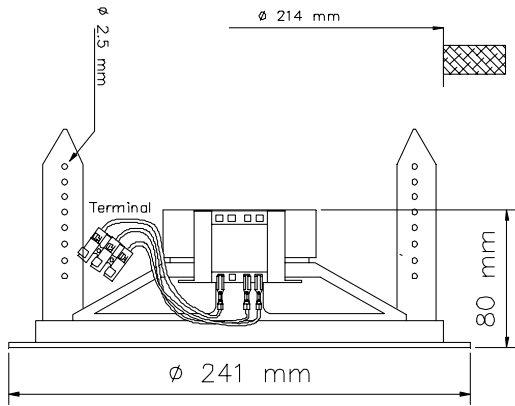
# DNH<sup>AS</sup>

N-3770 Kragerø  
NORWAY  
Phone: ..... (47) 35 98 56 00  
Fax: ..... (47) 35 98 56 10  
E-mail: ..... dnh@dnh.no  
Web-site: ..... www.dnh.no

ISO 9001 CERTIFIED

## B-640(T)

DNH WW Ltd. Phone: ..... (44) 1908 275 000  
England Fax: ..... (44) 1908 275 100  
E-mail: ..... dnh@dnh.co.uk  
DNH GmbH Phone: ..... (49) 040 6569 30-0  
Germany Fax: ..... (49) 040 6569 30-30  
E-mail: ..... dnh@dnh.de

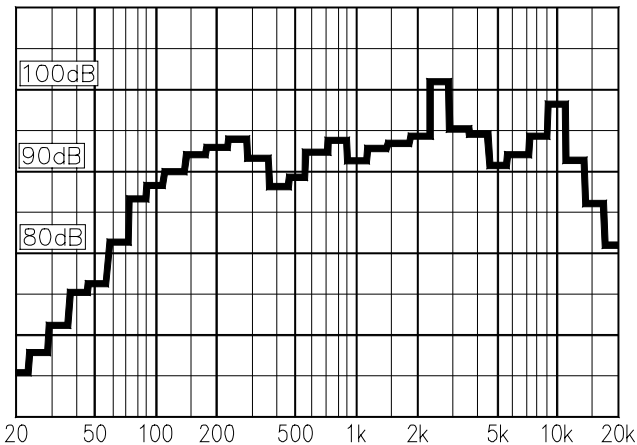


Transformer:  
Combined  
50 / 100 Volt line  
5(White) : 6(Green) 50V  
5(White) : 8(Red) 100V

Secondary nominal  
tappings:  
1 : 4 6,0W  
1 : 3 3,0W  
2 : 4 2,0W  
1 : 2 1,5W  
3 : 4 0,9 W  
2 : 3 0,5 W

Rec. ceiling hole:  $\varnothing$  215 mm

1W/1m Pink Noise 1/3 octave bands



Material / Colour ..... Aluminium / RAL9010  
Mounting ..... 4 metal strips  
Termination ..... Spring clamps  
Weight ..... 1,2 kg  
IP-rating .....  
Max. / min. amb. temp ..... 90°C / -20°C  
Standard version ..... 50 / 100 V transformer  
Rated / max. power ..... 6 W / 20 W  
SPL 1W/1m ..... 90 dB  
SPL rated power ..... 97 dB  
Effective freq. range ..... 60 – 20000 Hz  
Dispersion (-6dB) 1kHz / 4kHz ..... 140° / 50°  
Directivity factor, Q.....

### Installation, Operation and Maintenance Procedures

- When mounting the loudspeaker please ensure that it is re-assembled in the same manner in which it was received.
- Install outer ring into the hole by bending down 4 metal strips. Use nail / screw to prevent the ring from turning. Connect cable to terminal. Screw the loudspeaker grill clockwise into fixed position.
- For optimum performance, always use the correct voltage / power and operate within the frequency limits as stated.
- Take care when loudspeaker is energized (100 V).
- This loudspeaker is supplied with a 2 year warranty against defective workmanship.

Most of our products are available in different colours, impedances and power ratings.



DNH reserves the right to alter specifications without notice.

www.DataSheet4U.com  
Rev. 26.01.2000