



SMA5817-SMA5819 SURFACE MOUNT SCHOTTKY BARRIER RECTIFIER

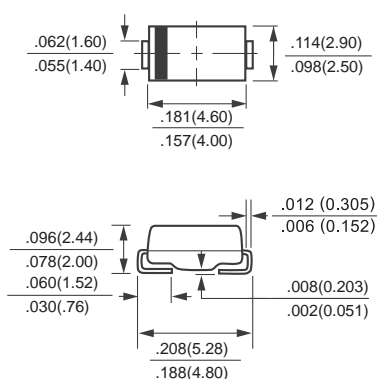
VOLTAGE RANGE - 20 to 80 Volts CURRENT - 1.0 Ampere

MECHANICAL DATA

- * Case: Molded plastic
- * Epoxy: UL 94V-0 rate flame retardant
- * Terminals: Solder plated solderable per MIL-STD-750, Method 2026
- * Polarity: As marked
- * Mounting position: Any
- * Weight: 0.064 gram

FEATURES

- * Ideal for surface mounted applications
- * Low leakage current
- * Glass passivated junction



SMA (DO-214AC)



Dimensions in inches and (millimeters)

MAXIMUM RATINGS AND ELECTRICAL CHARACTERISTICS

Ratings at 25°C ambient temperature unless otherwise specified. Single phase, half wave, 60 Hz, resistive or inductive load. For capacitive load, derate current by 20%.

PARAMETER	SYMBOL	SMA5817	SMA5818	SMA5819	SR150	SR160	SR170	UNITS
		SS12	SS13	SS14	SS15	SS16	SS18	
Maximum Recurrent Peak Reverse Voltage	V_{RRM}	20	30	40	50	60	80	Volts
Maximum RMS Bridge Input Voltage	V_{RMS}	14	21	28	35	42	56	Volts
Maximum DC Blocking Voltage	V_{DC}	20	30	40	50	60	80	Volts
Maximum Average Forward Rectified Current at Derating Lead Temperature	I_O	1.0						Amps
Peak Forward Surge Current: 8.3 ms single half sine-wave Superimposed on rated load (JEDEC Method)	I_{FSM}	30						Amps
Maximum Instantaneous Voltage at 1.0A DC	V_F	0.55		0.70		0.85		Volts
Maximum DC Reverse Current at Rated DC Blocking Voltage	@ $T_A = 25^\circ\text{C}$	1.0						mAmps
	@ $T_A = 100^\circ\text{C}$	20						
Typical Junction Capacitance (Note 1)	C_J	110						pF
Typical Thermal Resistance (Note 2)	$R_{\theta JA}$	88						$^\circ\text{C}/\text{W}$
Operating and Storage Temperature Range	T_J, T_{STG}	-65 to +125 , -65 to +150						$^\circ\text{C}$

Notes: 1. Measured at 1 MHz and applied reverse voltage of 4.0volts.

2. Thermal Resistance from Junction to Ambient, $0.2 \times 0.2 \times (5.0 \times 5.0 \text{mm}^2)$ copper pad area.

Wing Shing Computer Components Co., (H.K.)Ltd.
Homepage: <http://www.wingshing.com>

Tel:(852)2341 9276 Fax:(852)2797 8153
E-mail: wsccltd@hkstar.com

SMA5817-SMA5819

RATINGS AND CHARACTERISTICS

FIG. 1 TYPICAL FORWARD CURRENT DERATING CURVE

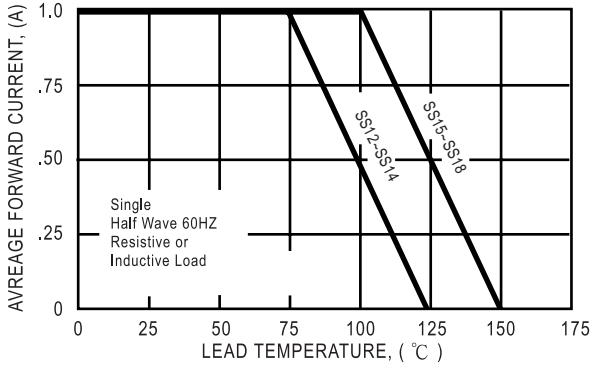


FIG. 2 - TYPICAL INSTANTANEOUS FORWARD CHARACTERISTICS

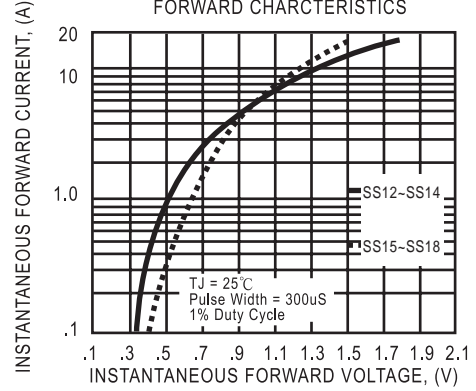


FIG. 3A - TYPICAL REVERSE CHARACTERISTICS

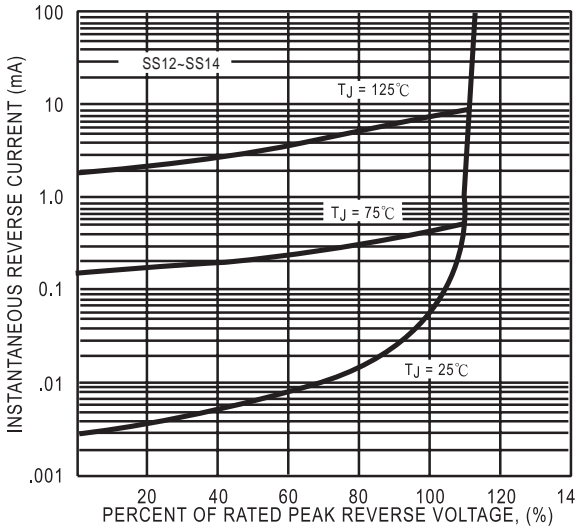


FIG. 3 - TYPICAL REVERSE CHARACTERISTICS

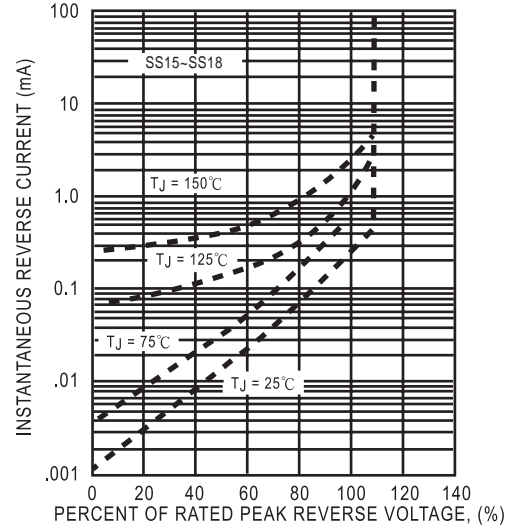


FIG. 4 - TYPICAL JUNCTION CAPACITANCE

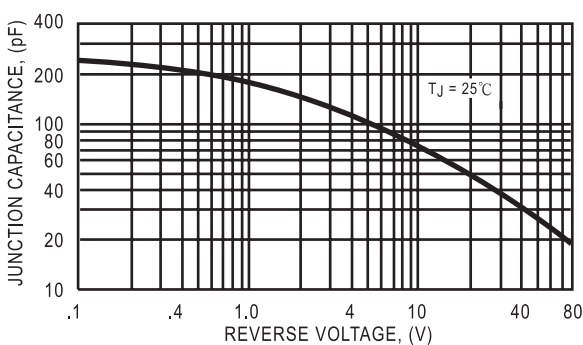


FIG. 5 - MAXIMUM NON-REPETITIVE FORWARD SURGE CURRENT

