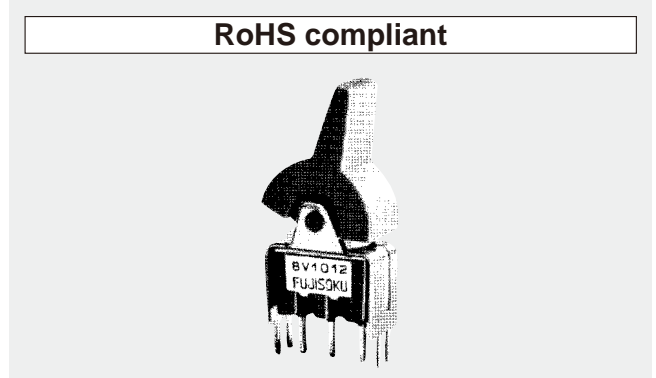


SMALL LEVER & ROCKER SWITCHES FOR PC BOARD

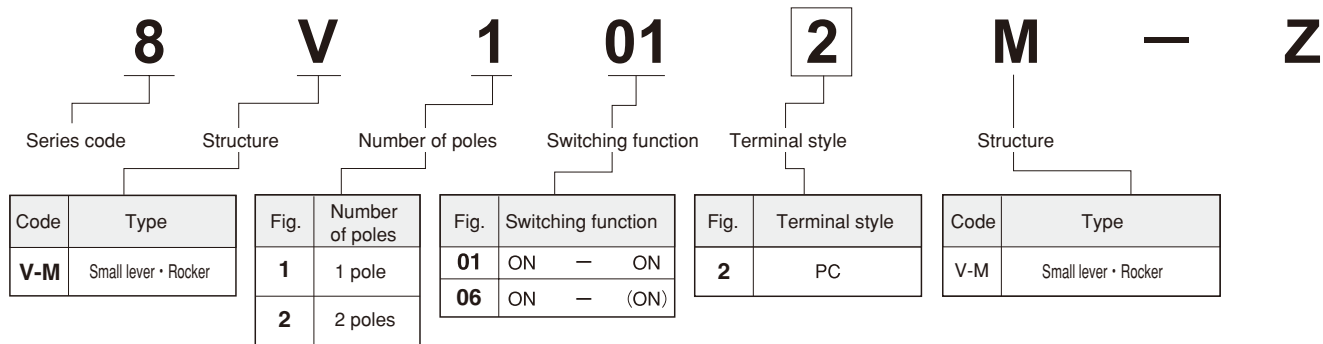
# 8V-M

## FEATURES

The 8V-M Small Lever · Rocker Switch for PC board application is designed for mounting on printed circuit boards. It has a supporting bracket for a firm and a reliable installation. The levers and the rockers are available in 8 colors to enhance your front panel design.



## PART NUMBERING



## TABLE OF PART NUMBERS

Terminal style	Switching function	1 pole	2 poles
PC terminal	ON - ON	8V1012-M-Z	8V2012-M-Z
	ON - (ON)	8V1062-M-Z	—

## STANDARD ACCESSORIES

Part Name	Lever	Lever	Rocker	Rocker
Dimensions	<p>Matte finish R8.4, 2.5, 5, 18.8, 16.8, 9.3 (Polycarbonate resin)</p>	<p>Matte finish R5.9, 2.4, 3.2, 11.8, 11.5, 5.7, 17.5 (Polycarbonate resin)</p>	<p>Matte finish 13.4, 8.3, 16.8, 9.3 (Polycarbonate resin)</p>	<p>Matte finish 8.9, 8.2, 11.8, 11.5 (Polycarbonate resin)</p>
White	140000050427	140000050929	140000480509	140000481531
Red	140000050428	140000050930	140000480510	140000481532
Black	140000050429	140000050931	140000480511	140000481533
Gray	140000050450	140000050932	140000480522	140000481534
Green	140000050451	140000050933	140000480532	140000481535
Blue	140000050452	140000050934	140000480498	140000481536
Orange	140000050453	140000050935	140000480533	140000481537
Yellow	140000050454	140000050936	140000480534	140000481538

●Specify either of lever or rocker by part number.

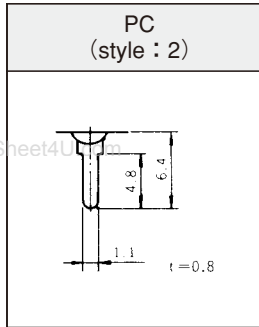
※Please contact us if you can't find your preferable combination in the table of part numbers. [www.DataSheet4U.com](http://www.DataSheet4U.com)

■ Specifications are subject to change without notice. Specifications in this catalog are for reference. The formal specification sheets will be submitted upon request.

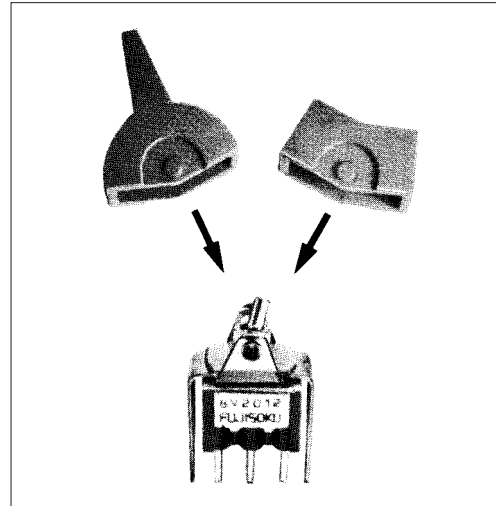
# 8V-M

## SMALL LEVER & ROCKER SWITCHES FOR PC BOARD

### ■ TERMINAL STYLE

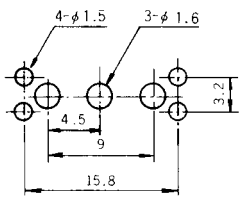


### ■ LEVER OR ROCKER INSTALLATION PROCEDURE

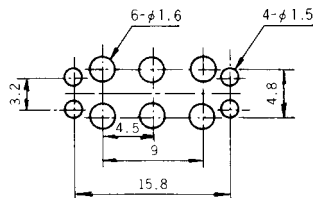


● Install the lever or rocker onto the switch as illustrated in the photo.

### ■ PC HOLE LAYOUTS



1-pole



2-pole

### ■ PC BOARD MOUNTING

