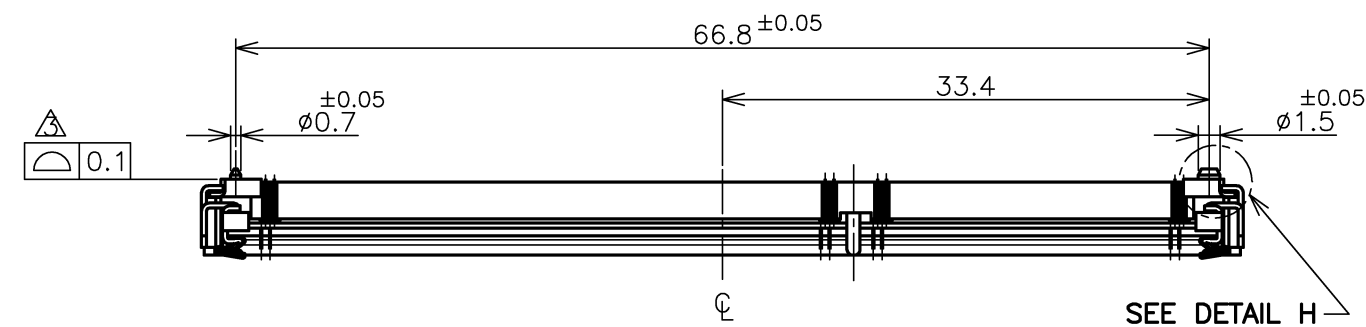
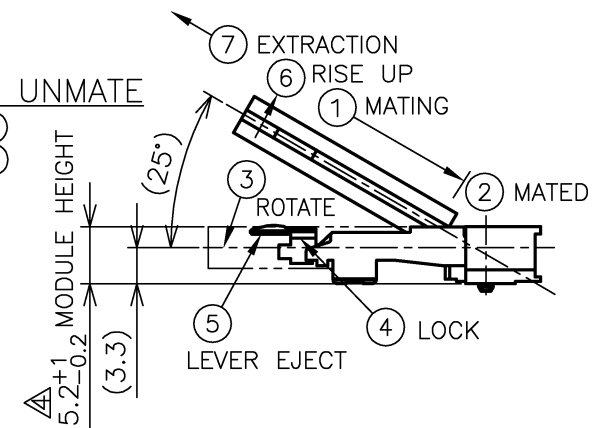


LOC	DIST	REVISIONS			
P	LTR	DESCRIPTION	DATE	DWN	APVD
B1	REVISED	ECR-08-019047	30JUL2008	T.F	K.I

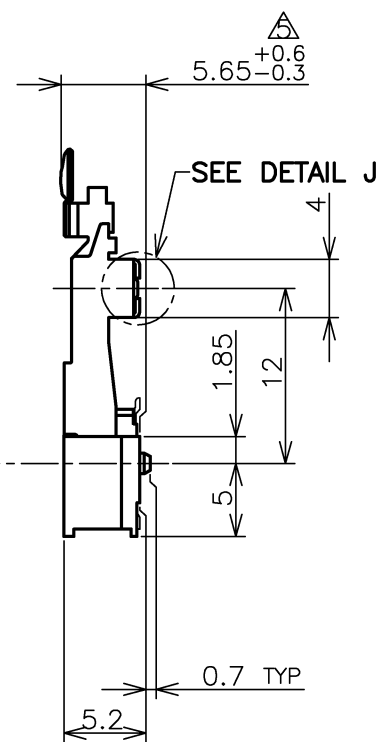
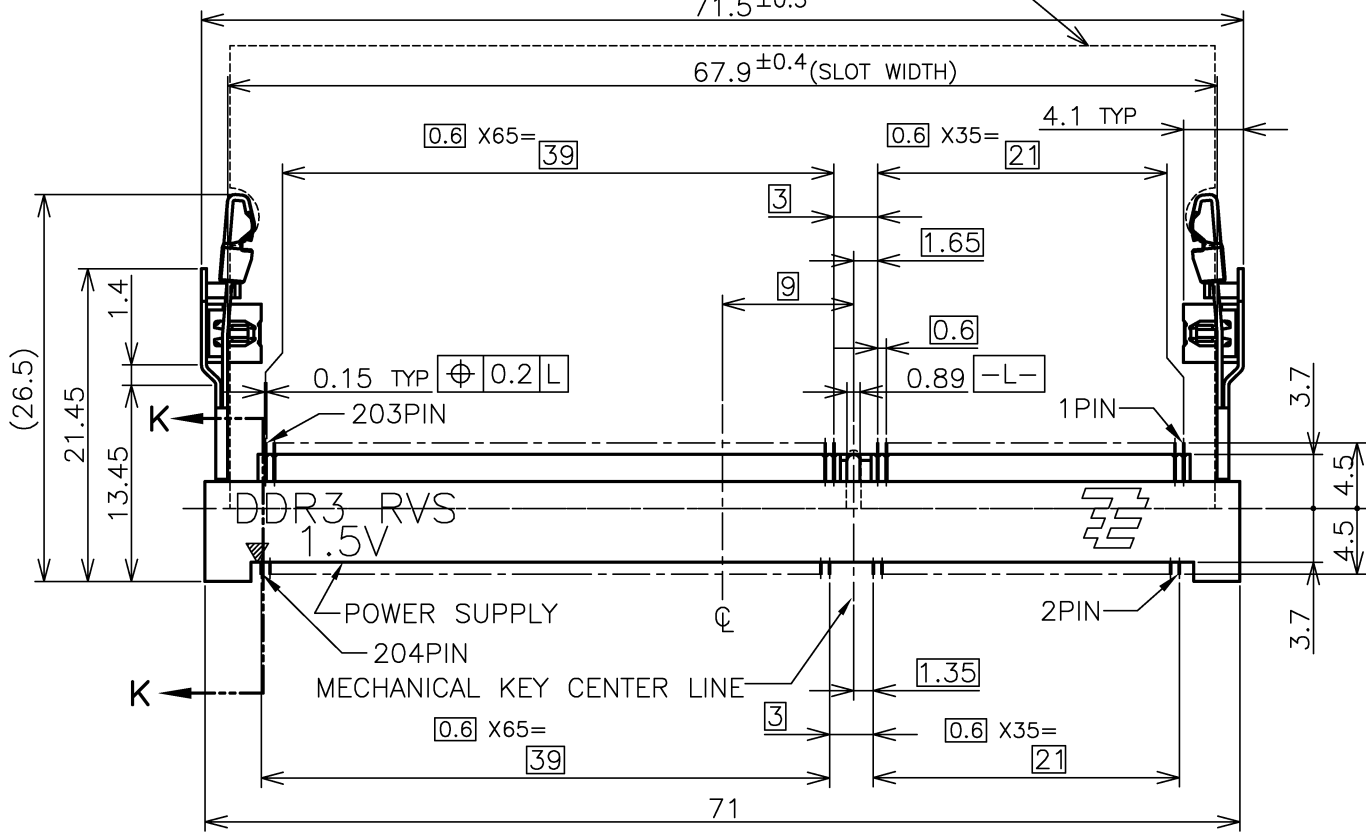


**HOW TO MATE AND UNMATE**

- MATE: ① → ④  
 UNMATE: ⑤ → ⑦

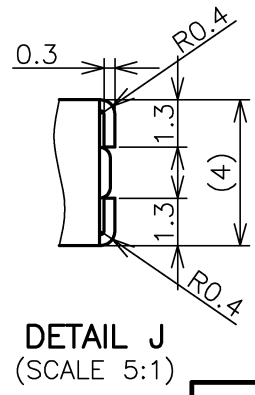
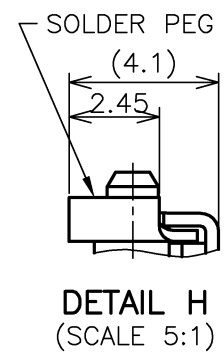
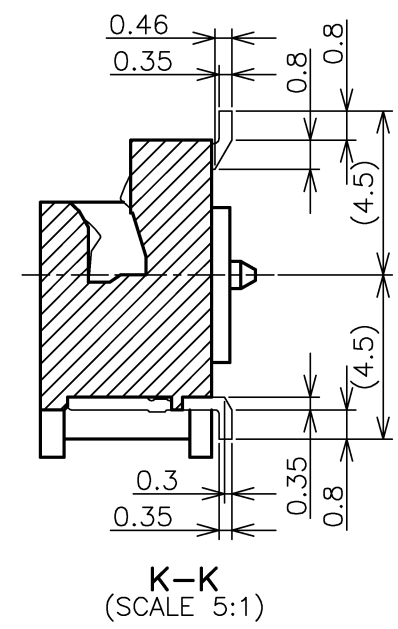


RECOMMENDED MATING P.C.B OUTLINE  
 71.5±0.5



(APPLIED TO SHEET 1-3)

- MATERIAL ; HOUSING: HIGH TEMPERATURE THERMO PLASTIC UL94V-0  
 COLOR: SEE TABLE  
 CONTACT: COPPER ARROY  
 LOCK LEVER: STAINLESS STEEL  
 PEG: COPPER ARROY
  - 2-1. FINISH ; CONTACT AREA: GOLD FLASH  
 ALL OVER NICKEL.  
 SOLDERING AREA: GOLD FLASH PLATING  
 PEG: TIN PLATING
  - 2-2. FINISH ; CONTACT AREA: 0.000254MIN GOLD  
 ALL OVER NICKEL.  
 SOLDERING AREA: GOLD FLASH PLATING  
 PEG: TIN PLATING
  - 2-3. FINISH ; CONTACT AREA: 0.00076MIN GOLD  
 ALL OVER NICKEL.  
 SOLDERING AREA: GOLD FLASH PLATING  
 PEG: TIN PLATING
- △ COPLANARITY: 0.1 MAX. (BEFORE SOLDERING)  
 △ THE FLOATING VALUE BY SOLDERING IS NOT INCLUDED.  
 △ NOT MATING CONDITION.
6. IF THE MODULE DOESN'T INSERT AND LOCK IN THE LATCH SMOOTHLY,  
 OPEN WIDE BOTH LATCHES BY MANUAL. AND THE MODULE MUST BE  
 INSERTED AND LOCKED IN THE LATCH.



GENERAL TOLERANCE  
 10 ≥ ±0.2  
 30 ≥ >10: ±0.25  
 100 ≥ >30: ±0.3  
 ANGLES: ±3°

THIS DRAWING IS A CONTROLLED DOCUMENT.		DWN T.FUMIKURA 18SEP2007	Tyco Electronics Corporation Kawasaki, Japan	
DIMENSIONS: MM		CHK K.IKEGAMI 18SEP2007	NAME DDR3 SODIMM SOCKET 0.6mm PITCH 204POS 5.2mm HEIGHT REVERSE TYPE	
TOLERANCES UNLESS OTHERWISE SPECIFIED:		APVD K.IKEGAMI 18SEP2007	PRODUCT SPEC 108-78493	
0 PLC ± 1 PLC ± 2 PLC ± 3 PLC ± 4 PLC ±		APPLICATION SPEC		
MATERIAL		FINISH	SIZE A3	CAGE CODE 00779
		WEIGHT 4.4g	DRAWING NO 2013290	RESTRICTED TO
		CUSTOMER DRAWING		SCALE 2:1
		SHEET 1 OF 6		REV B1

4

3

2

1

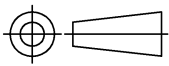
THIS DRAWING IS UNPUBLISHED. RELEASED FOR PUBLICATION SEP ,2007.  
 © COPYRIGHT 2007 BY TYCO ELECTRONICS CORPORATION. ALL RIGHTS RESERVED.

LOC	DIST	REVISIONS				
P	LTR	DESCRIPTION	DATE	DWN	APVD	
	-	SEE SHEET 1	-	-	-	

TOOLING STATUS	PACAGKING TYPE	BOSS TYPE	HOUSING COLOR	FINISH	POWER SUPPLY	POS	PART NO.
AVAILABLE	ENBOSS (SEE SHEET 6)	BOSSLESS	GRAY	NOTE 2-3	1.5V	204	3-2013290-6
AVAILABLE	ENBOSS (SEE SHEET 6)	BOSSLESS	GRAY	NOTE 2-2	1.5V	204	3-2013290-5
AVAILABLE	ENBOSS (SEE SHEET 6)	BOSSLESS	GRAY	NOTE 2-1	1.5V	204	3-2013290-4
AVAILABLE	ENBOSS (SEE SHEET 6)	WITH BOSS	BLACK	NOTE 2-3	1.5V	204	2-2013290-3
AVAILABLE	ENBOSS (SEE SHEET 6)	WITH BOSS	BLACK	NOTE 2-2	1.5V	204	2-2013290-2
AVAILABLE	ENBOSS (SEE SHEET 6)	WITH BOSS	BLACK	NOTE 2-1	1.5V	204	2-2013290-1
AVAILABLE	SEMI-HARD TRAY (SEE SHEET 5)	BOSSLESS	GRAY	NOTE 2-3	1.5V	204	1-2013290-6
AVAILABLE	SEMI-HARD TRAY (SEE SHEET 5)	BOSSLESS	GRAY	NOTE 2-2	1.5V	204	1-2013290-5
AVAILABLE	SEMI-HARD TRAY (SEE SHEET 5)	BOSSLESS	GRAY	NOTE 2-1	1.5V	204	1-2013290-4
AVAILABLE	SEMI-HARD TRAY (SEE SHEET 5)	WITH BOSS	BLACK	NOTE 2-3	1.5V	204	2013290-3
AVAILABLE	SEMI-HARD TRAY (SEE SHEET 5)	WITH BOSS	BLACK	NOTE 2-2	1.5V	204	2013290-2
AVAILABLE	SEMI-HARD TRAY (SEE SHEET 5)	WITH BOSS	BLACK	NOTE 2-1	1.5V	204	2013290-1

THIS DRAWING IS A CONTROLLED DOCUMENT.

DIMENSIONS: MM



TOLERANCES UNLESS OTHERWISE SPECIFIED:

0 PLC	±
1 PLC	±
2 PLC	±
3 PLC	±
4 PLC	±
ANGLES	±

MATERIAL

FINISH

DWN  
CHK  
APVD  
PRODUCT SPEC  
APPLICATION SPEC  
WEIGHT

**Tyco Electronics** Tyco Electronics Corporation  
Kawasaki, Japan

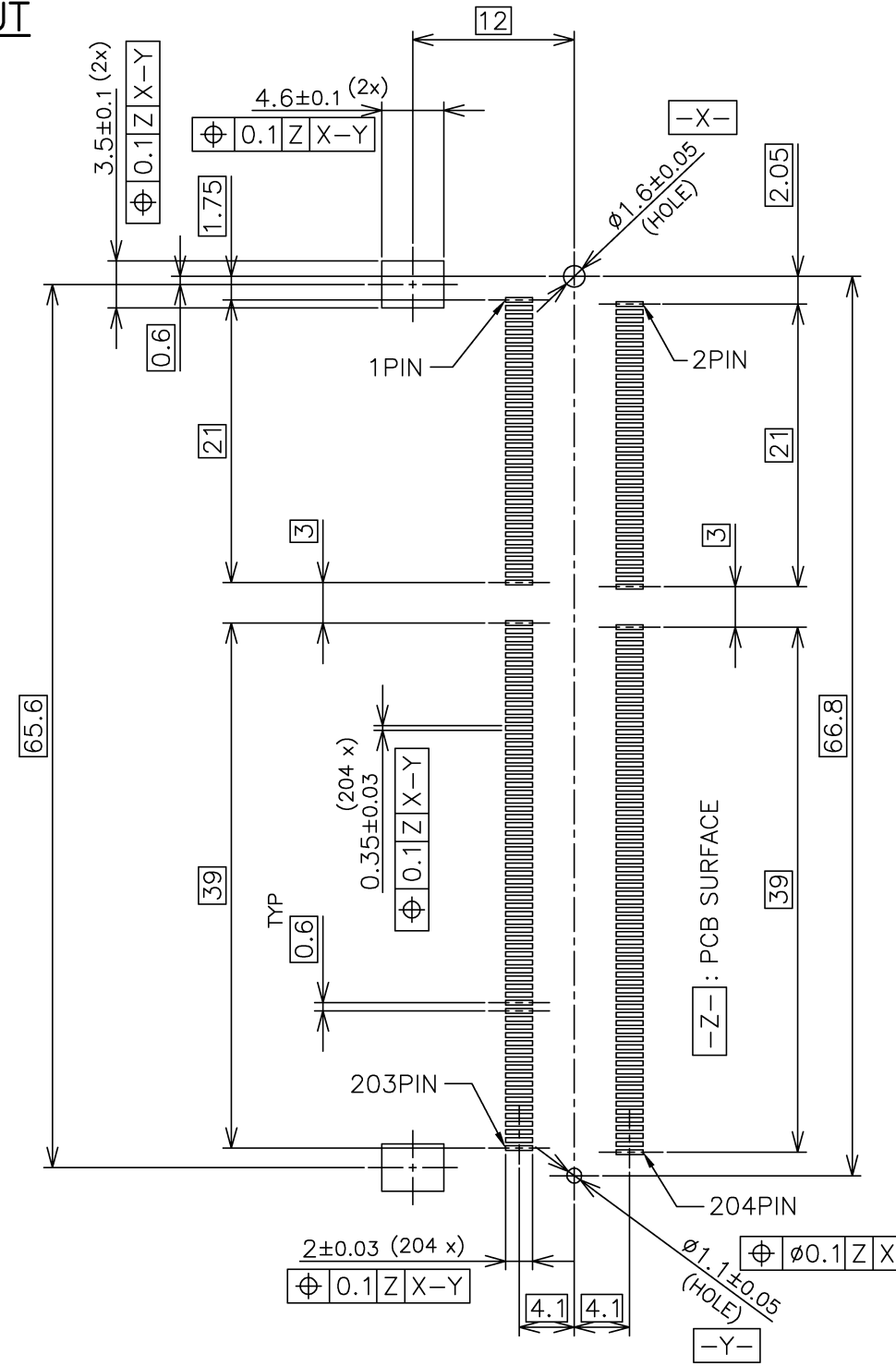
NAME: DDR3 SODIMM SOCKET  
0.6mm PITCH 204POS  
5.2mm HEIGHT REVERSE TYPE

SIZE	CAGE CODE	DRAWING NO	RESTRICTED TO
A3	00779	C-2013290	-

CUSTOMER DRAWING SCALE 2:1 SHEET 2 OF 6 REV B1

LOC		DIST		REVISIONS			DATE	DWN	APVD
P	LTR	DESCRIPTION							
		SEE SHEET 1			-	-	-	-	

**REFERENCE P.C.BOARD PATTERN LAYOUT  
 (CONNECTOR MOUNTING SIDE)**

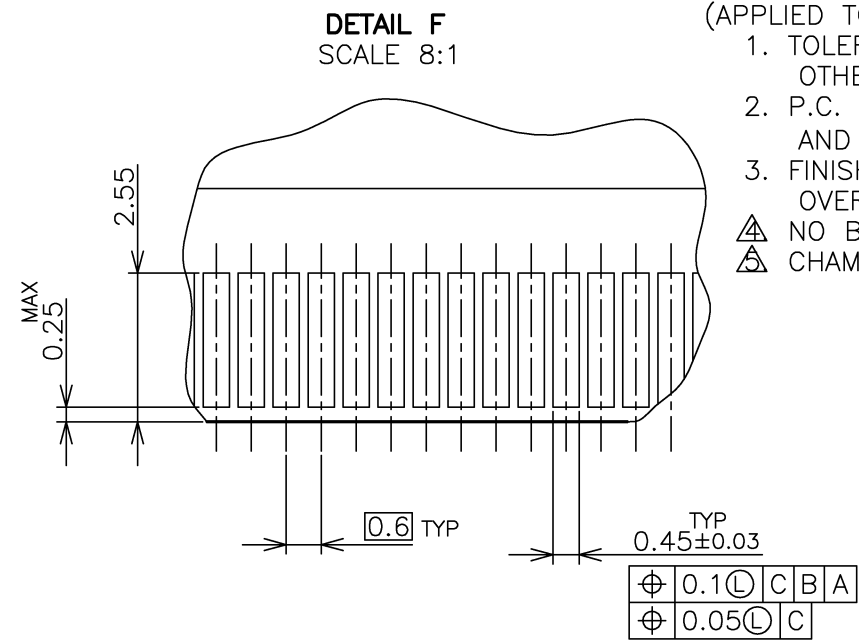
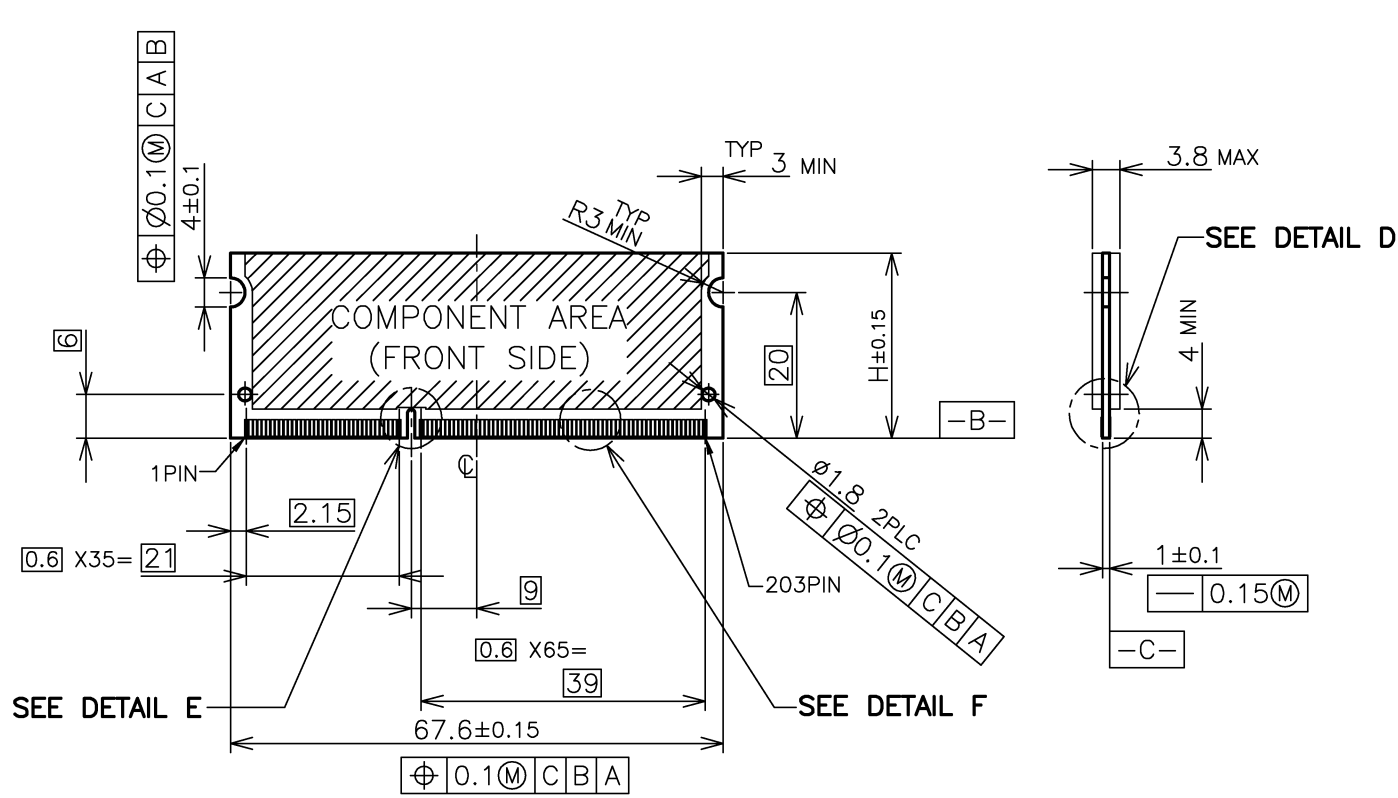


**RVS TYPE**

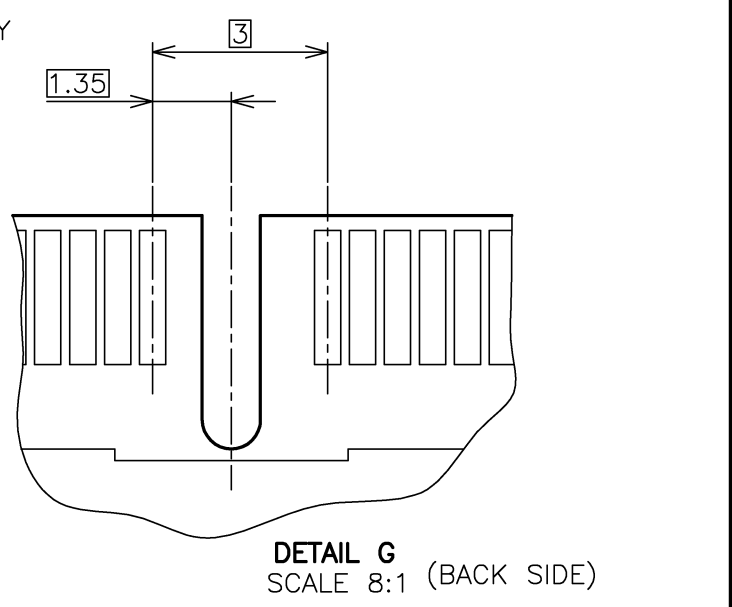
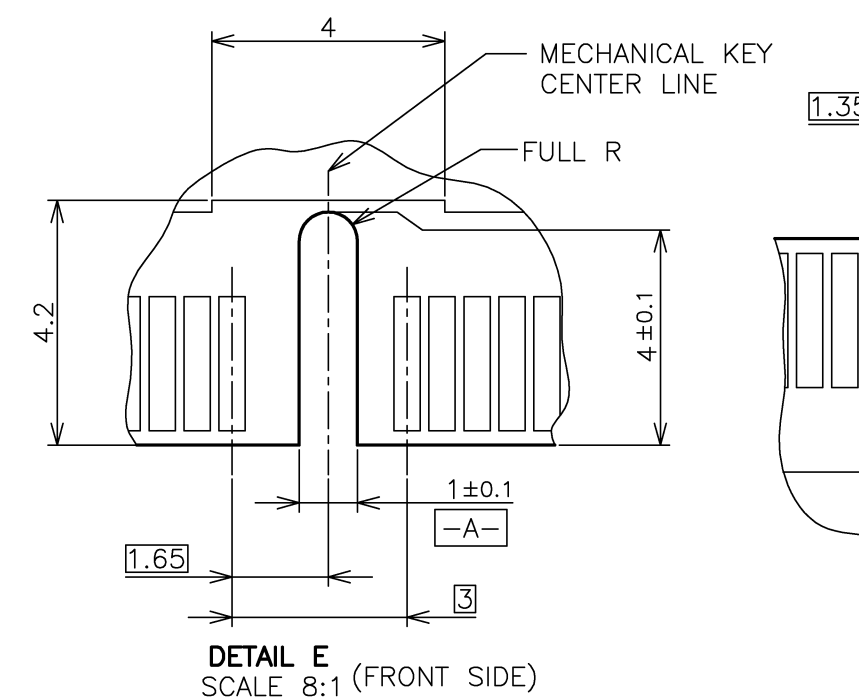
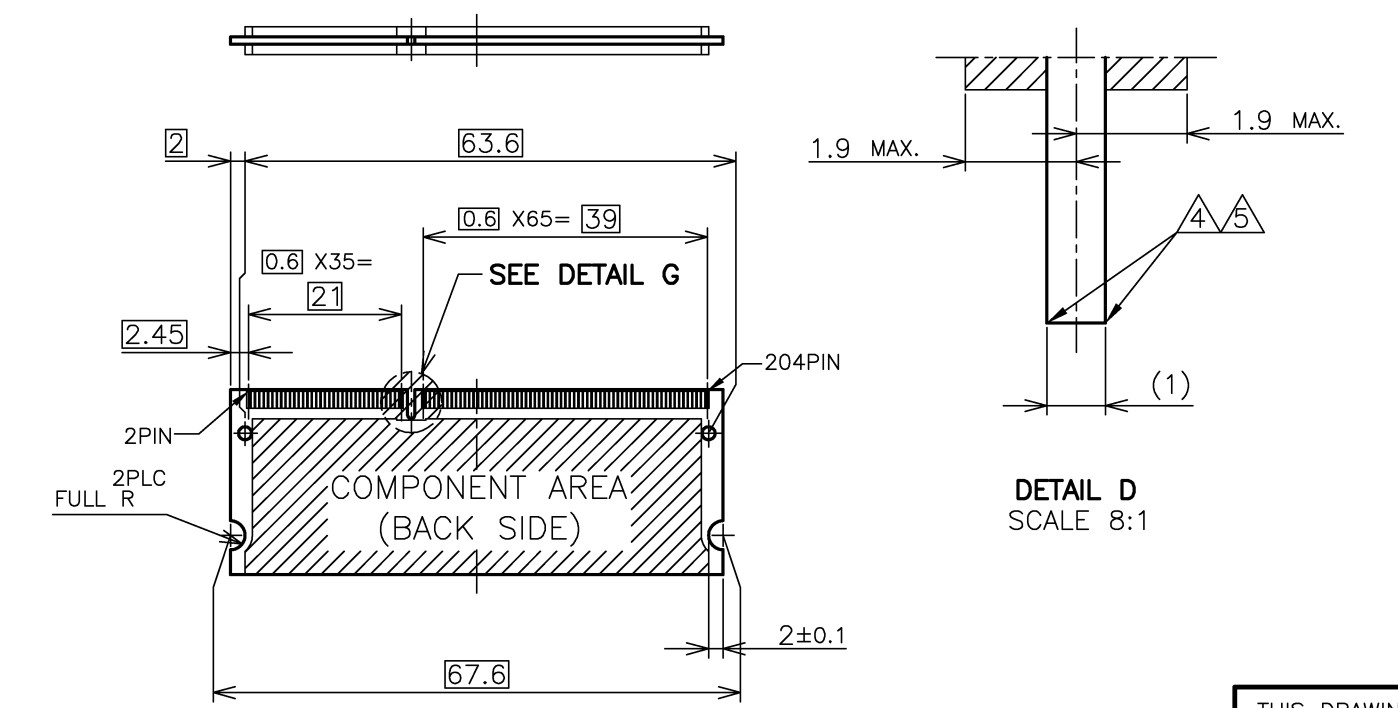
THIS DRAWING IS A CONTROLLED DOCUMENT.		DWN		Tyco Electronics Corporation Kawasaki, Japan	
DIMENSIONS: MM		TOLERANCES UNLESS OTHERWISE SPECIFIED:		NAME	
<ul style="list-style-type: none"> <li>0 PLC ±</li> <li>1 PLC ±</li> <li>2 PLC ±</li> <li>3 PLC ±</li> <li>4 PLC ±</li> <li>ANGLES ±</li> </ul>		APVD		DDR3 SODIMM SOCKET 0.6mm PITCH 204POS 5.2mm HEIGHT REVERSE TYPE	
MATERIAL		FINISH		PRODUCT SPEC	RESTRICTED TO
				APPLICATION SPEC	
				WEIGHT	SIZE CAGE CODE DRAWING NO
				CUSTOMER DRAWING	A3 00779 C-2013290
				SCALE	SHEET 3 OF 6 REV B1

LOC	DIST	REVISIONS			
P	LTR	DESCRIPTION	DATE	DWN	APVD
J		SEE SHEET 1	-	-	-

# REFERENCE MATING P.C.B CONFIGURATION



- (APPLIED TO SHEET 4)
- TOLERANCES ON ALL DIMENSIONS ±0.15 UNLESS OTHERWISE SPECIFIED.
  - P.C. BOARD THICKNESS APPLIES ACROSS TABS AND INCLUDES PLATING AND/OR METALIZATION.
  - FINISH OF PAD : GOLD PLATING 0.00076 MIN. OVER Ni PLATING 0.002MIN.
- NO BURR
  - CHAMFER 0.25 MAX x 45° IF EXIST.

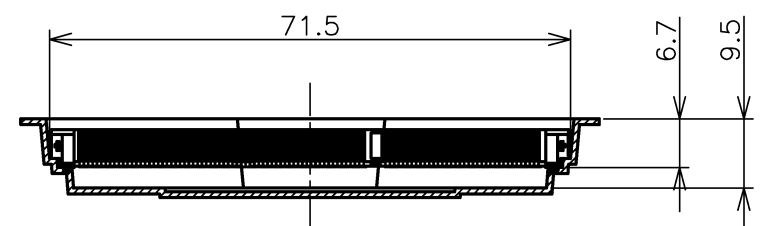
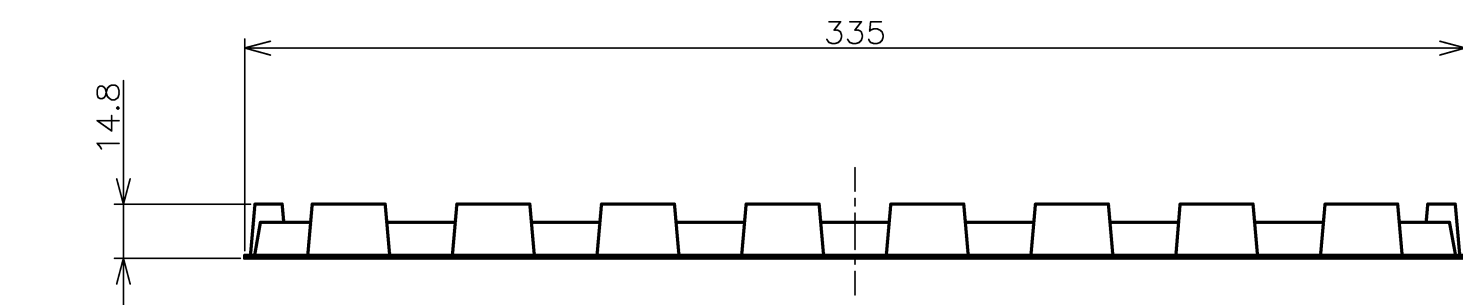
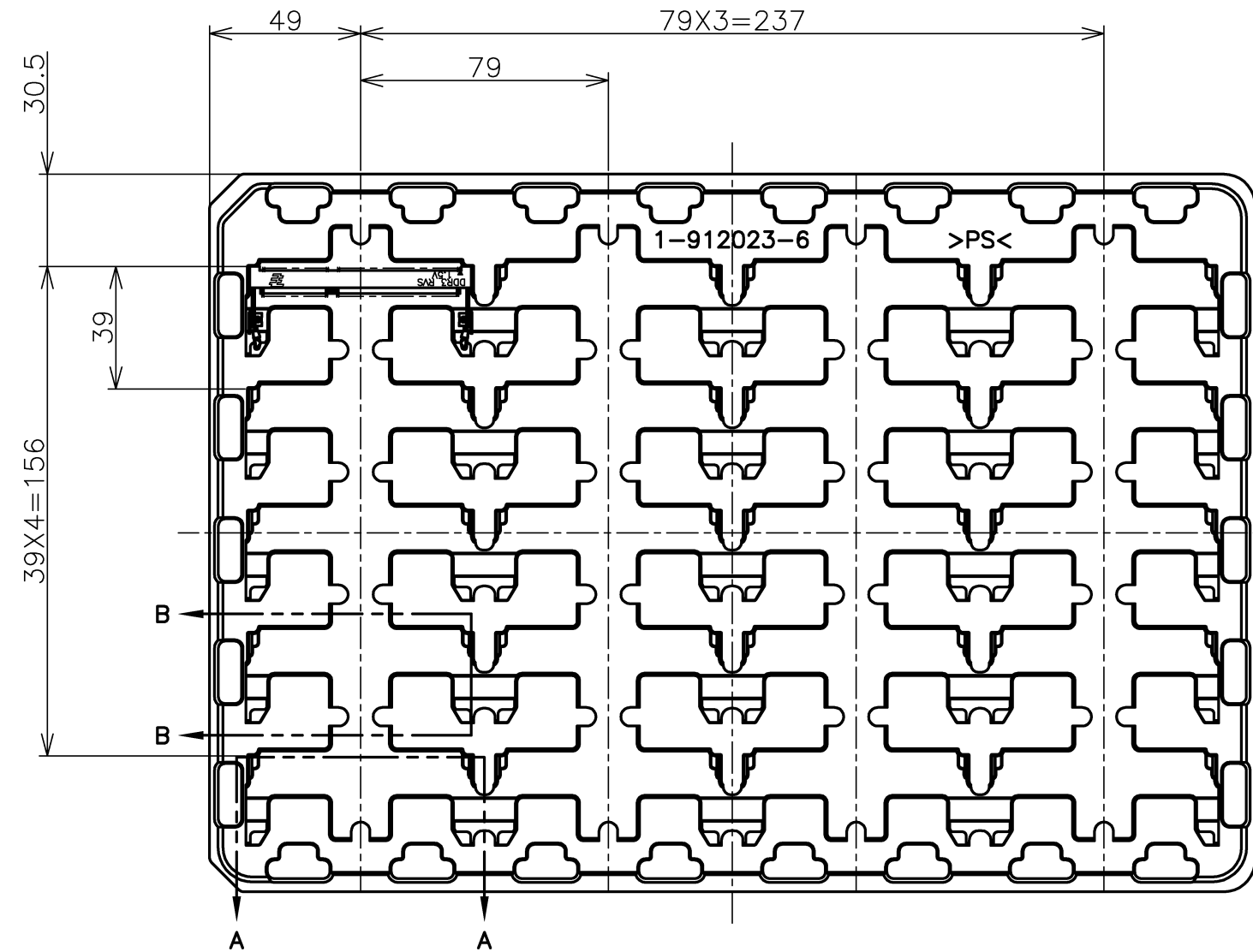


30	CA
31.75	BA
25.4	AA
H	SDRAM VARIATIONS

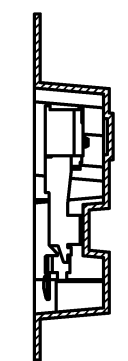
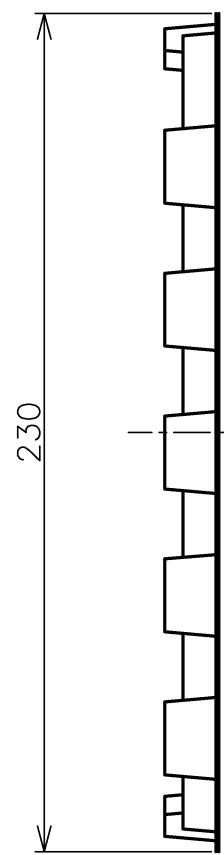
THIS DRAWING IS A CONTROLLED DOCUMENT.		DWN		Tyco Electronics Corporation Kawasaki, Japan	
DIMENSIONS: MM		CHK		NAME	
TOLERANCES UNLESS OTHERWISE SPECIFIED:		APVD		DDR3 SODIMM SOCKET 0.6mm PITCH 204POS 5.2mm HEIGHT REVERSE TYPE	
0 PLC ±		PRODUCT SPEC		SIZE CAGE CODE DRAWING NO RESTRICTED TO	
1 PLC ±		APPLICATION SPEC		A3 00779 C-2013290	
2 PLC ±		WEIGHT		SCALE SHEET OF REV	
3 PLC ±		CUSTOMER DRAWING		2:1 4 OF 6 B1	
4 PLC ±					
ANGLES ±					
FINISH					

THIS DRAWING IS UNPUBLISHED. RELEASED FOR PUBLICATION SEP. 2007.  
 © COPYRIGHT 2007 BY TYCO ELECTRONICS CORPORATION. ALL RIGHTS RESERVED.

LOC	DIST	REVISIONS			
P	LTR	DESCRIPTION	DATE	DWN	APVD
J	/	SEE SHEET 1	-	-	-



**A-A**  
SCALE 1:1  
(180DEG. ROTATE)



**B-B**  
SCALE 1:1

(APPLIED TO SHEET 5)  
 1. THE DIRECTION OF EACH CONNECTOR ON A TRAY IS REFERRED TO THIS DRAWING.  
 2. GENERAL TOLERANCE: ±0.5, ±3'

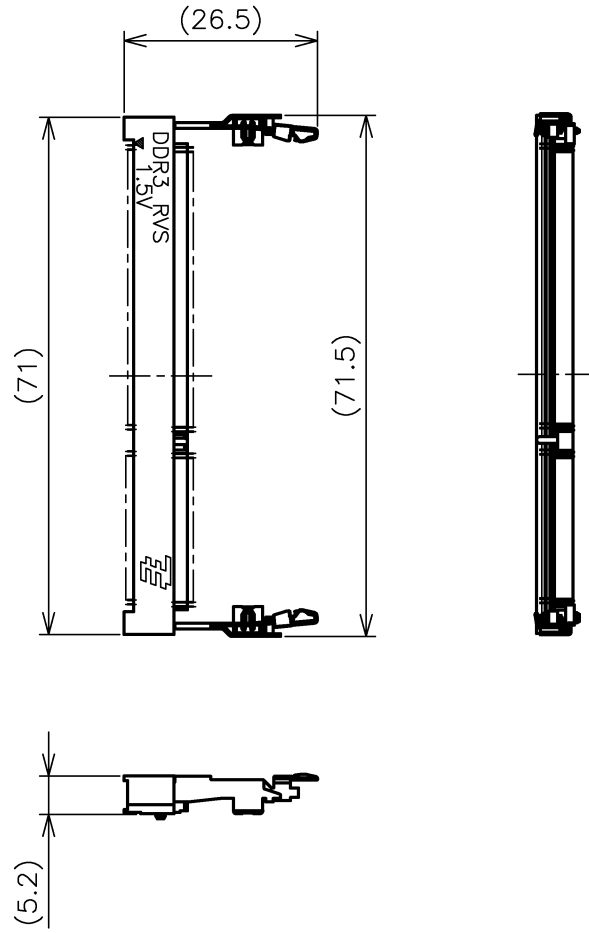
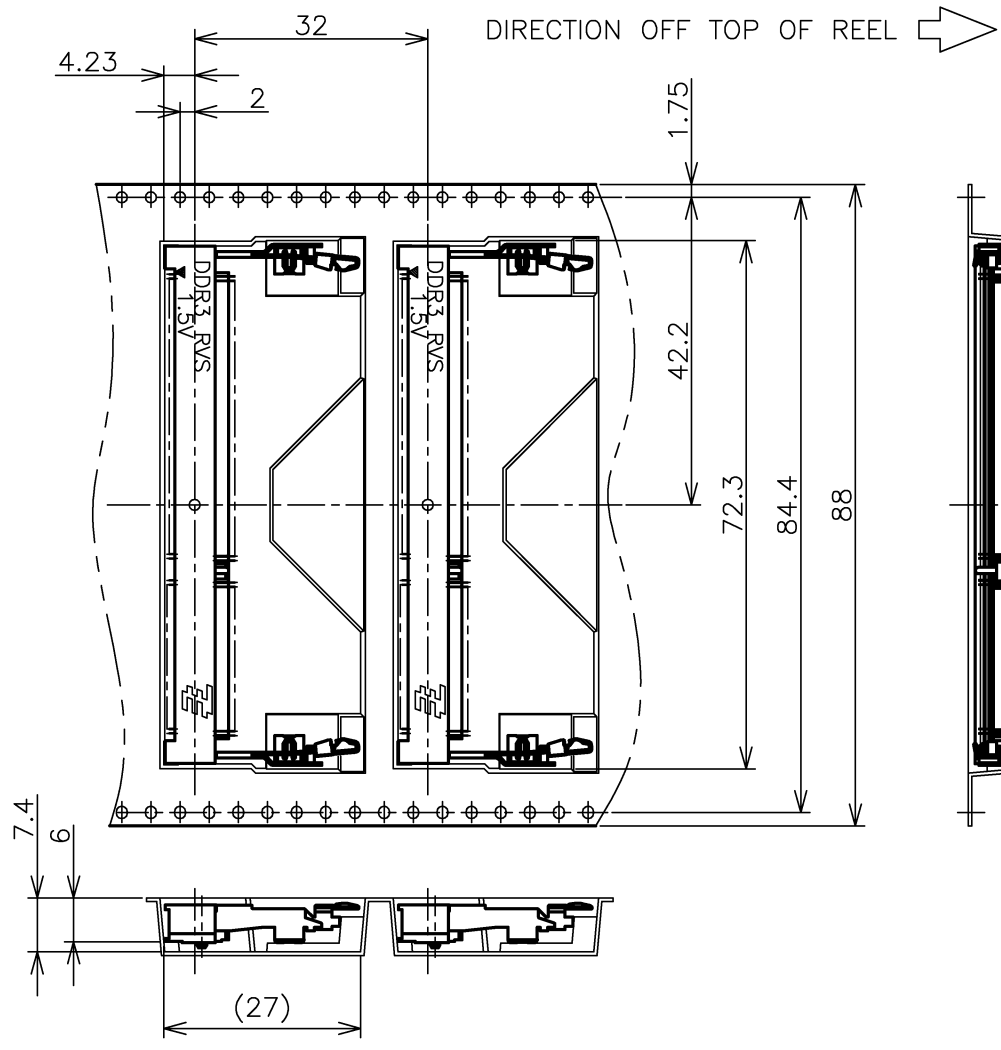
240EA	20EA	*-2013290-*
QTY/BOX	QTY/TRAY	PART NO.

THIS DRAWING IS A CONTROLLED DOCUMENT.		DWN		Tyco Electronics Corporation Kawasaki, Japan	
DIMENSIONS: MM		CHK		NAME	
TOLERANCES UNLESS OTHERWISE SPECIFIED:		APVD		DDR3 SODIMM SOCKET 0.6mm PITCH 204POS 5.2mm HEIGHT REVERSE TYPE	
0 PLC ± 0.5		PRODUCT SPEC		SIZE	
1 PLC ± 0.5		APPLICATION SPEC		CAGE CODE	
2 PLC ± 0.5		WEIGHT		DRAWING NO	
3 PLC ± 0.5		CUSTOMER DRAWING		RESTRICTED TO	
4 PLC ± 0.5				A3 00779 C-2013290	
ANGLES ± 3'				SCALE 1:2	
FINISH				SHEET 5 OF 6	
				REV B1	

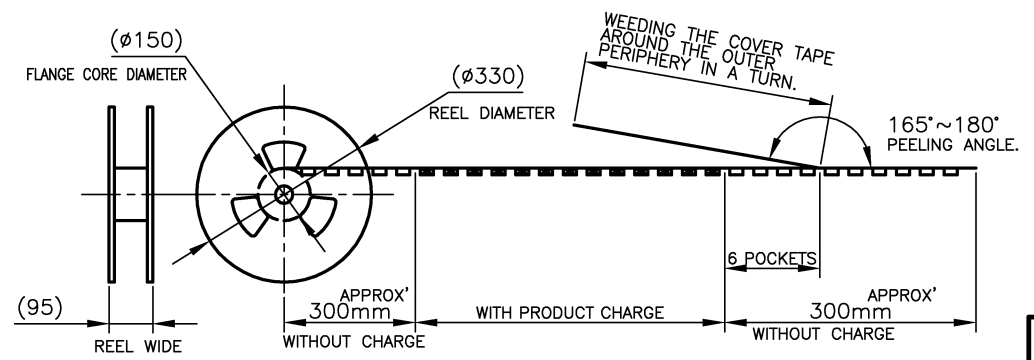
THIS DRAWING IS UNPUBLISHED. RELEASED FOR PUBLICATION SEP. 2007.  
 © COPYRIGHT 2007 BY TYCO ELECTRONICS CORPORATION. ALL RIGHTS RESERVED.

LOC	DIST	REVISIONS			
P	LTR	DESCRIPTION	DATE	DWN	APVD
J	/	SEE SHEET 1	-	-	-

D  
C  
B  
A



(APPLIED TO SHEET 6)  
 1. THE DIRECTION OF EACH CONNECTOR ON A EMBOSS IS REFERRED TO THIS DRAWING.  
 2. GENERAL TOLERANCE:  $\pm 0.5$ ,  $\pm 3^\circ$



FREE SCALE

THIS DRAWING IS A CONTROLLED DOCUMENT.		DWN		Tyco Electronics Corporation Kawasaki, Japan	
DIMENSIONS: MM		CHK		NAME	
TOLERANCES UNLESS OTHERWISE SPECIFIED:		APVD		DDR3 SODIMM SOCKET 0.6mm PITCH 204POS 5.2mm HEIGHT REVERSE TYPE	
0 PLC $\pm 0.5$		PRODUCT SPEC		SIZE	
1 PLC $\pm 0.5$		APPLICATION SPEC		CAGE CODE	
2 PLC $\pm 0.5$		WEIGHT		DRAWING NO	
3 PLC $\pm 0.5$		CUSTOMER DRAWING		A3 00779	
4 PLC $\pm 0.5$		SCALE		2013290	
ANGLES $\pm 3^\circ$		1:2		RESTRICTED TO	
MATERIAL		SHEET		REV	
FINISH		6 OF 6		B1	