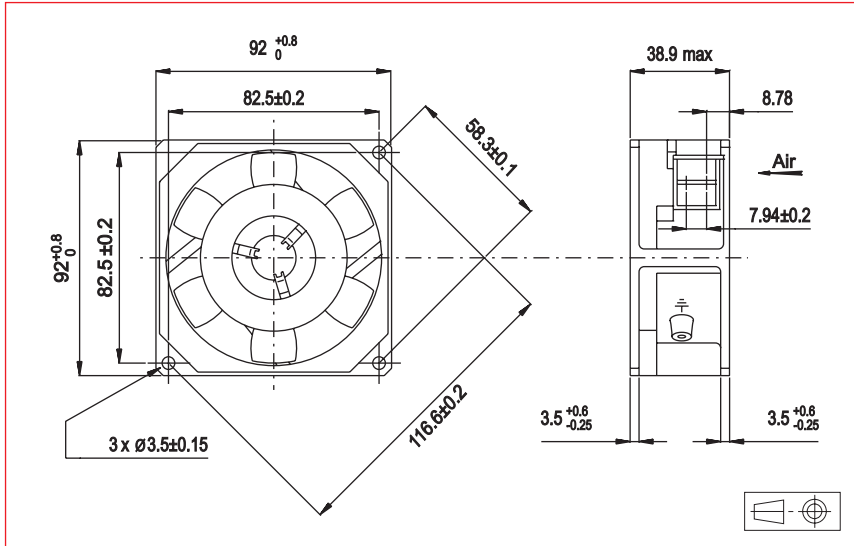


3,622" x 3,622" x 1,496" 92 x 92 x 38 mm

113XN

ETRI
www.DataSheet4U.com

AC Axial Fans



Approvals



Life expectancy

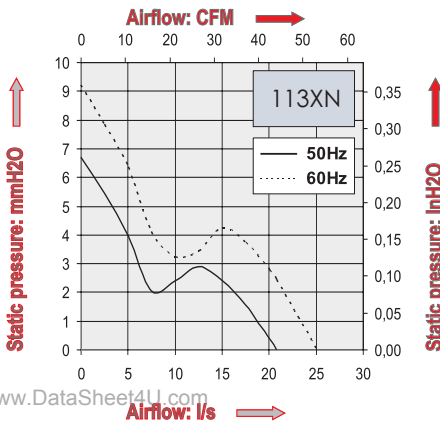
L-10 LIFE AT 40°C:
80 000 hours

AC Motor

Electrical protection: impedance protected
Housing material: zamak
Impeller material: plastic UL 94 VO
Weight: 615 g
Bearing system: ball bearings

Available with:

- Flying leads



www.DataSheet4U.com

Part Number	Nominal voltage	Airflow	Noise level	Nominal speed	Frequency	Phases	Capacitor	Input Power	Nominal current	Starting current	Connection type		Operating temperature	
	V										l/s	dB(A)	RPM	Hz
113XN0182000	115	21	36	2850	50	1		10	140	270		X	-10	70
		25	41	3300	60	1		9	115	220		X	-10	70
113XN0181000	208-240	21	36	2850	50	1		12	85	160		X	-10	70
		25	41	3300	60	1		11	75	140		X	-10	70

Additional versions:

Salt spray protected - shock and vibration protected - marine specifications - wide temperature range
IP54: consult factory

Accessories:

Refer to Accessories leaflet