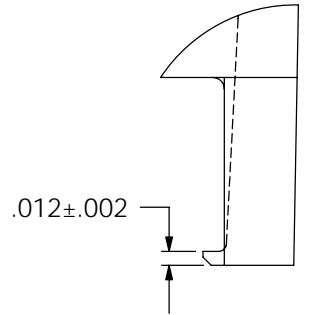
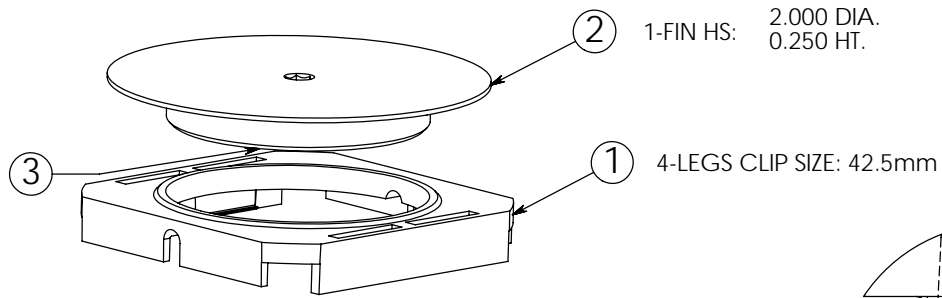
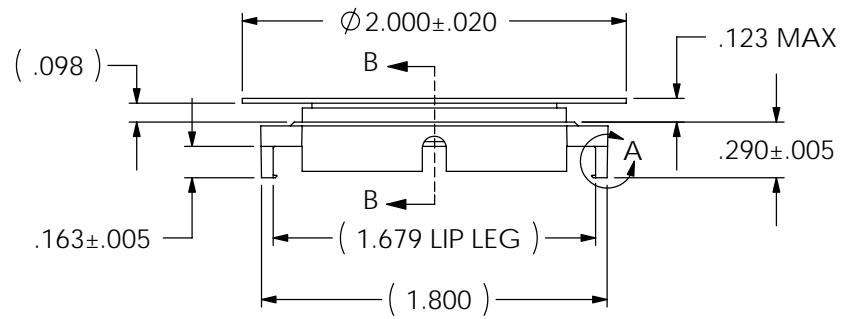


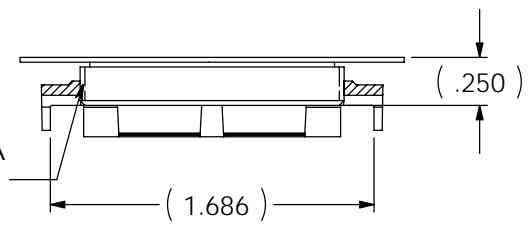
REVISION(S)			
LTR	DESCRIPTION	INIT	APP'D
O	ECN: 0S60-0039-05	E.T 2/15/05	B.P 2/15/05
A	ECR-06-021171	E.T 9/7/06	V.K 9/7/06



DETAIL A
SCALE = 6X



1 3/8 - 27 UNS - 2A
THREAD



SECTION B-B

1. MATERIAL:
HEAT SINK: ALUM. (BLACK ANODIZE)
CLIP: BLACK PEI (UL94-VO)
2. BEFORE THE HEATSINK APPLICATION, THE USER SHOULD IDENTIFY THE SPECIFICATION OF MAXIMUM LOAD ON THE BGA PACKAGE.

HEATSINK TORQUE SPECIFICATIONS CONVERTED TO FORCE.

BARE DIE PACKAGE:
2.5 POUND-FORCE INCH TORQUE = 7.8 POUND-FORCE
(0.28 NEWTON METER TORQUE = 347.70 NEWTON)
3.0 POUND-FORCE INCH TORQUE = 9.4 POUND-FORCE
(0.34 NEWTON METER TORQUE = 41.81 NEWTON)

FULL SIZE LID PACKAGE:
2.5 POUND-FORCE INCH TORQUE = 6.3 POUND-FORCE
(0.28 NEWTON METER TORQUE = 28.02 NEWTON)
3.0 POUND-FORCE INCH TORQUE = 7.6 POUND-FORCE
(0.34 NEWTON METER TORQUE = 33.81 NEWTON)
3. REMOVE CLIP WITH REMOVAL TOOL P/N: 1542616-1.
4. RoHS COMPLIANT AND CERTIFIED.

Power	° C/W @ Ambient	° C/W @ 200 LFM	° C/W @ 400 LFM	° C/W @ 600 LFM
5 Watts	8.97	5.36	3.76	3.25
10 Watts	8.41	5.44	3.78	3.21
15 Watts	7.92	5.36	3.77	3.21

CUSTOMER DRAWING

SPECIFICATIONS ARE SUBJECT TO CHANGE WITHOUT NOTICE

ITEM	DESCRIPTION	QTY	tyco / Electronics Attleboro Falls Massachusetts 02763			CONFIDENTIAL PROPERTY OF TYCO ELECTRONICS. NOT TO BE DISCLOSED TO OTHERS. REPRODUCED OR USED FOR ANY PURPOSES EXCEPT AS AUTHORIZED IN WRITING BY AN AUTHORIZED OFFICIAL OF TYCO. MUST BE RETURNED TO TYCO ON DEMAND, ON COMPLETION OF ORDERS OR OTHER PURPOSES FOR WHICH BENT.		TITLE: 42.5mm HEATSINK ASSEMBLY (HTS571-U)		
1	MOUNTING CLIP	1	DO NOT SCALE	DRAWN BY: E.TAO	DATE 2/15/05	MATERIAL: SEE NOTE	DIMENSIONS ARE IN: INCHES	SCALE: 1:1	PART NO.: 4-1542006-1	SHEET: 1 OF 1
2	HEAT SINK	1		ENGINEER: B.PETROCELLI	DATE 2/15/05			FINISH: SEE NOTE	SIZE: A	REV: A
3	INTERFACE	1		UNLESS OTHERWISE SPECIFIED TOLERANCES ARE: .XX ± .XXX ± .XXXX ± ANGLES ± °	FILENAME	PROJECT	SYSTEM	THIRD ANGLE PROJECTION	DWG. NO. C-4-1542006-1	

D
C
B
A